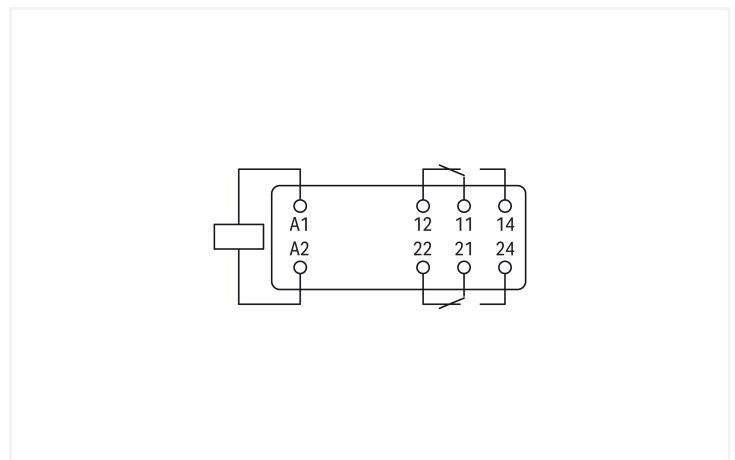
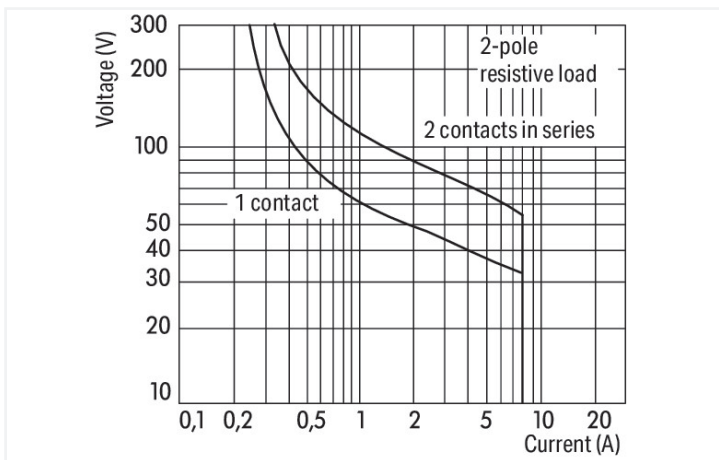
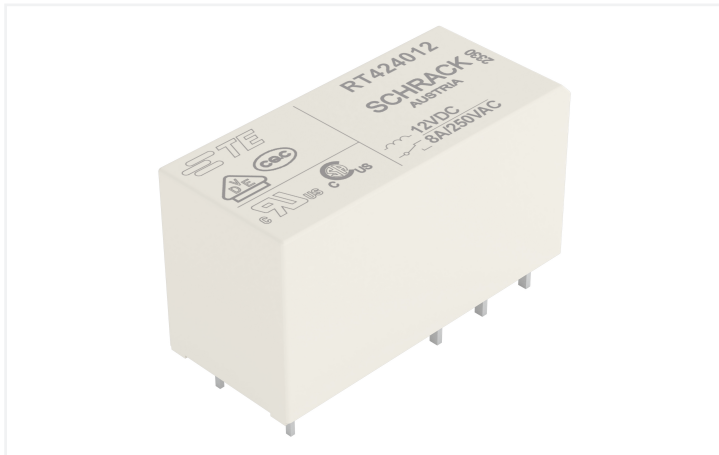


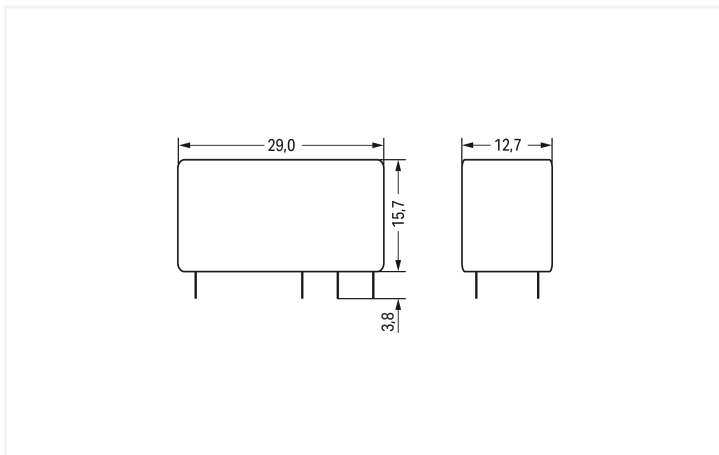
Data Sheet | Item Number: 788-152

Basic relay; Nominal input voltage: 12 VDC; 2 changeover contacts; Limiting continuous current: 8 A; Module width: 13 mm; Module height: 15 mm

<https://www.wago.com/788-152>



DC load limit curve



Dimensions in mm

Technical data

Control circuit

Nominal input voltage U_N	12 VDC
Nominal input current at U_N	34 mA

Load circuit

Number of changeover/switchover contacts	2
Contact material (relay)	AgNi 90/10
Limiting continuous current	8 A
Inrush current (resistive) max.	(AC) 15 A / 4 s
Switching Voltage, Max.	250 VAC
Switching power (resistive) max.	AC 2000 VA; DC (see load limit curve)
Switching capacity	AC-15: 3 A / 250 VAC; DC-13: 2 A / 24 VDC
Recommended minimum load	12 V / 10 mA
Pull-in time (typ.)	8 ms
Drop-out time (typ.)	6 ms
Bounce time (typ.)	10 ms
Electrical life (NO; resistive load; 23 °C)	10 x 10 ³ switching operations
Mechanical life	30 x 10 ⁶ switching operations
Switching frequency with/without load (max.)	6 min ⁻¹ / 1200 min ⁻¹

Safety and protection

Dielectric strength (control/load circuit) (AC, 1 min)	5 kVrms
Dielectric strength (open contact) (AC, 1 min)	1 kVrms
Dielectric strength (load/load circuit) (AC, 1 min)	2.5 kVrms

Physical data

Width	12.7 mm / 0.5 inches
Height from the surface	15.7 mm / 0.618 inches
Depth	29 mm / 1.142 inches

Mechanical data

Mounting type	Pluggable module
---------------	------------------

Material data

Note (material data)	Information on material specifications can be found here
Weight	13 g

Environmental requirements

Ambient temperature (operation at U_N)	-40 ... +85 °C
Ambient temperature (storage)	-40 ... +85 °C

Standards and Specifications

Standards/specifications	EN 61810-1
--------------------------	------------

Commercial data

Product Group	6 (INTERFACE ELECTRONIC)
PU (SPU)	20 pcs
Packaging type	Box
Country of origin	AT
GTIN	4050821867753
Customs tariff number	85364900990

Product Classification

UNSPSC	39122334
eCl@ss 10.0	27-37-16-01
eCl@ss 9.0	27-37-16-01
ETIM 9.0	EC001437
ETIM 10.0	EC001437
ECCN	NO US CLASSIFICATION

Environmental Product Compliance

RoHS Compliance Status	Compliant, No Exemption
SCIP notification number (Austria)	1b402d71-3fcc-4566-a32c-a615c7ff448a
SCIP notification number (Belgium)	a00cd61b-b671-4174-8cbd-eabe2c1ed257
SCIP notification number (Bulgaria)	71b76f83-bfdf-41ca-9f1f-b49485ec2766
SCIP notification number (Czech Republic)	e8648a74-afca-4da2-8df4-8bf7e882b81e
SCIP notification number (Denmark)	aa41aed5-8002-472c-ad32-c612dc1526db
SCIP notification number (Finland)	67ff4ae8-8d85-4c7c-9dca-0ffb98e53d75
SCIP notification number (France)	c00b1740-9d2f-4533-8179-00a2186a4c0e
SCIP notification number (Germany)	149a7c9f-4ea1-44d3-ade0-bf32a4318c63
SCIP notification number (Hungary)	ba8310d2-51b4-406a-a78c-5f659532769e
SCIP notification number (Italy)	23a8662f-adb0-4ac0-8844-ae687e74c6b6
SCIP notification number (Netherlands)	09d3c4ee-7dd9-45cc-9ebe-9306b9e149a0
SCIP notification number (Poland)	6d916728-297c-45fc-909e-1eb169830e1c
SCIP notification number (Romania)	ced51f1c-6cba-47dc-8140-3889b8ad9ee5
SCIP notification number (Sweden)	ab60f1c5-51a7-4ff2-ba32-5c5226476451

Downloads

Environmental Product Compliance

Compliance Search	
Environmental Product Compliance 788-152	

Documentation

Bid Text			
788-152	19.02.2019	xml 3.59 KB	
788-152	20.02.2019	docx 15.58 KB	

CAD/CAE-Data

CAD data

2D/3D Models 788-152



CAE data

WSCAD Universe
788-152



1 Compatible Products

1.1 Optional Accessories

1.1.1 Socket

1.1.1.1 Socket without relay



Item No.: 788-102

Relay socket; 2 changeover contacts; for 15 mm basic relays; gray