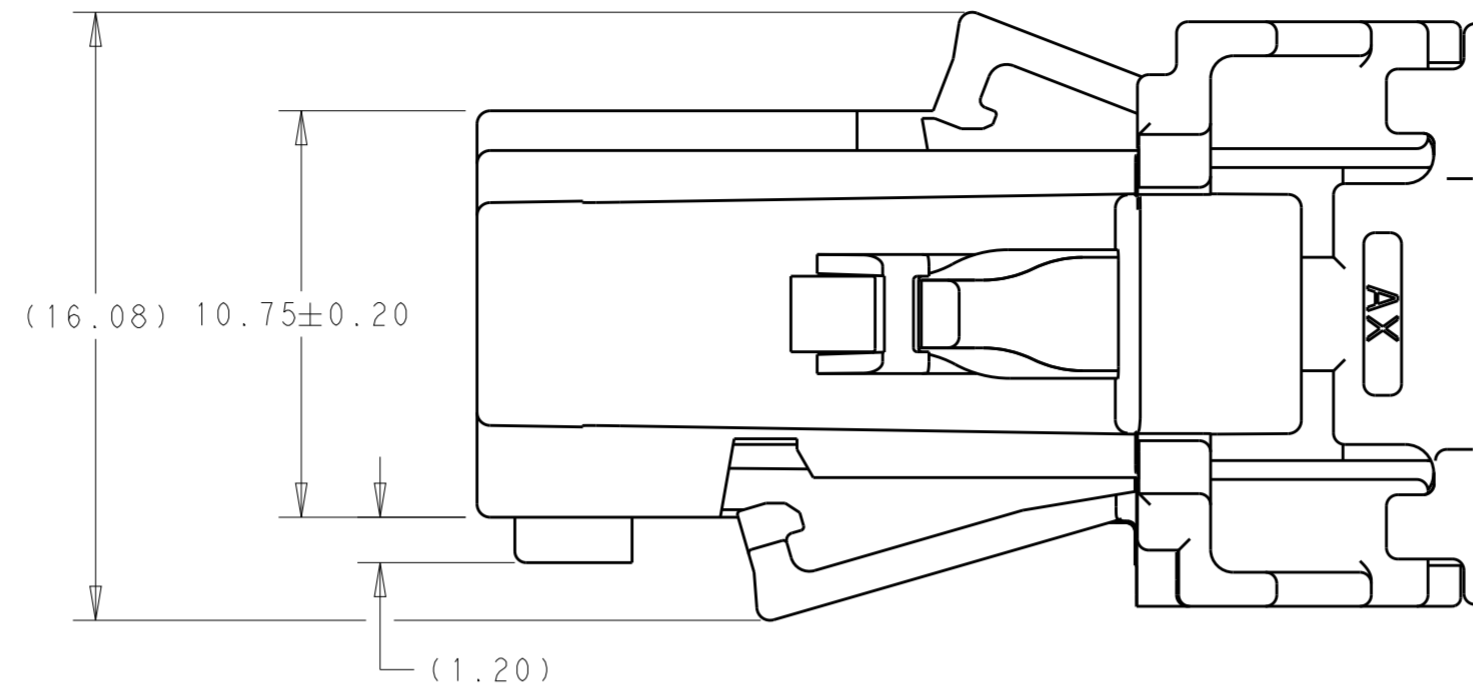
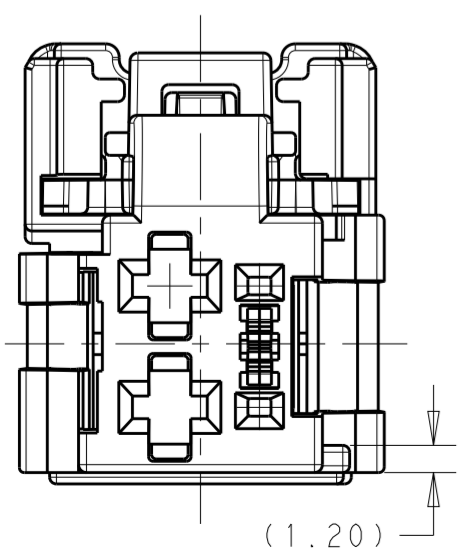
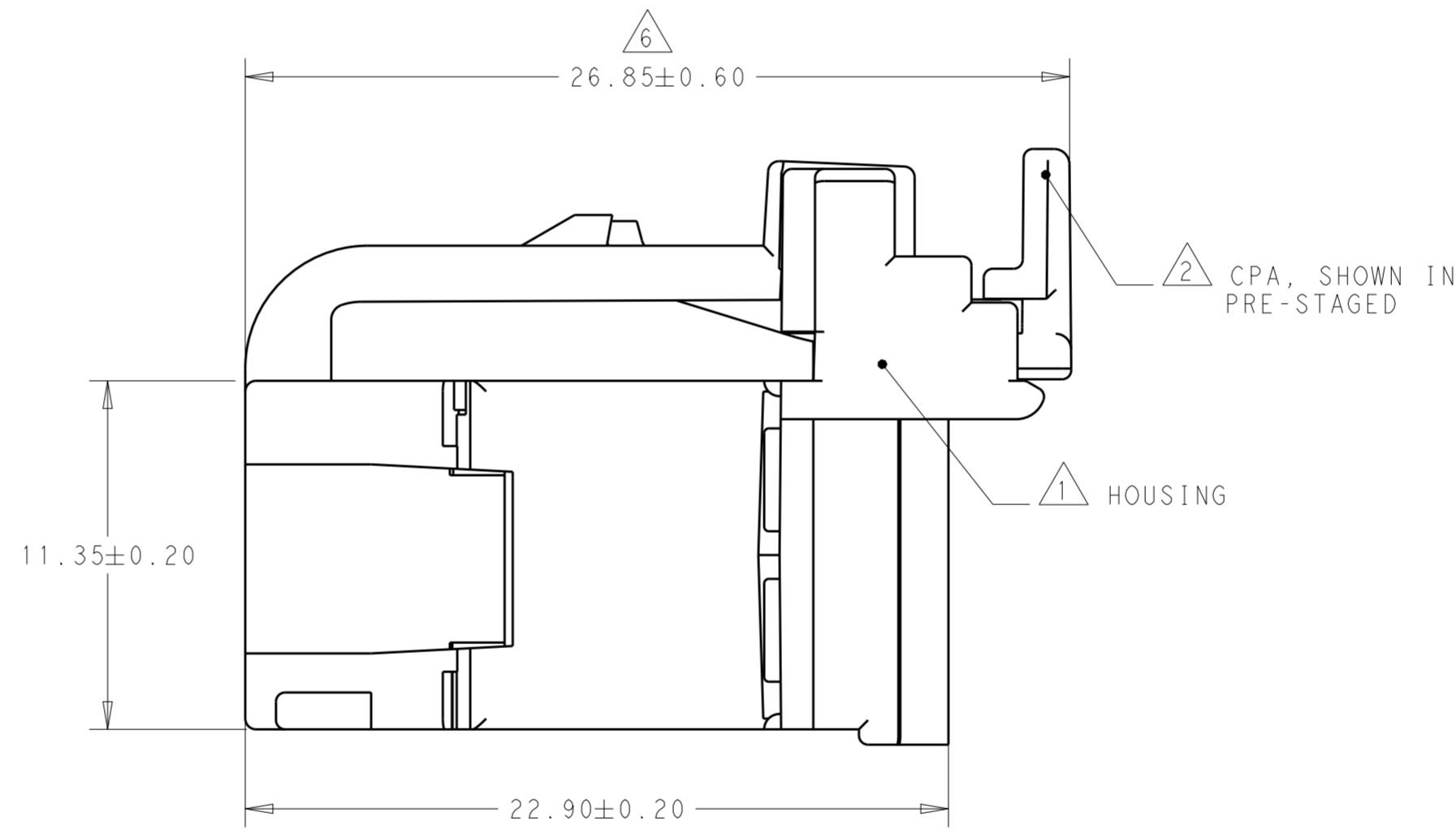
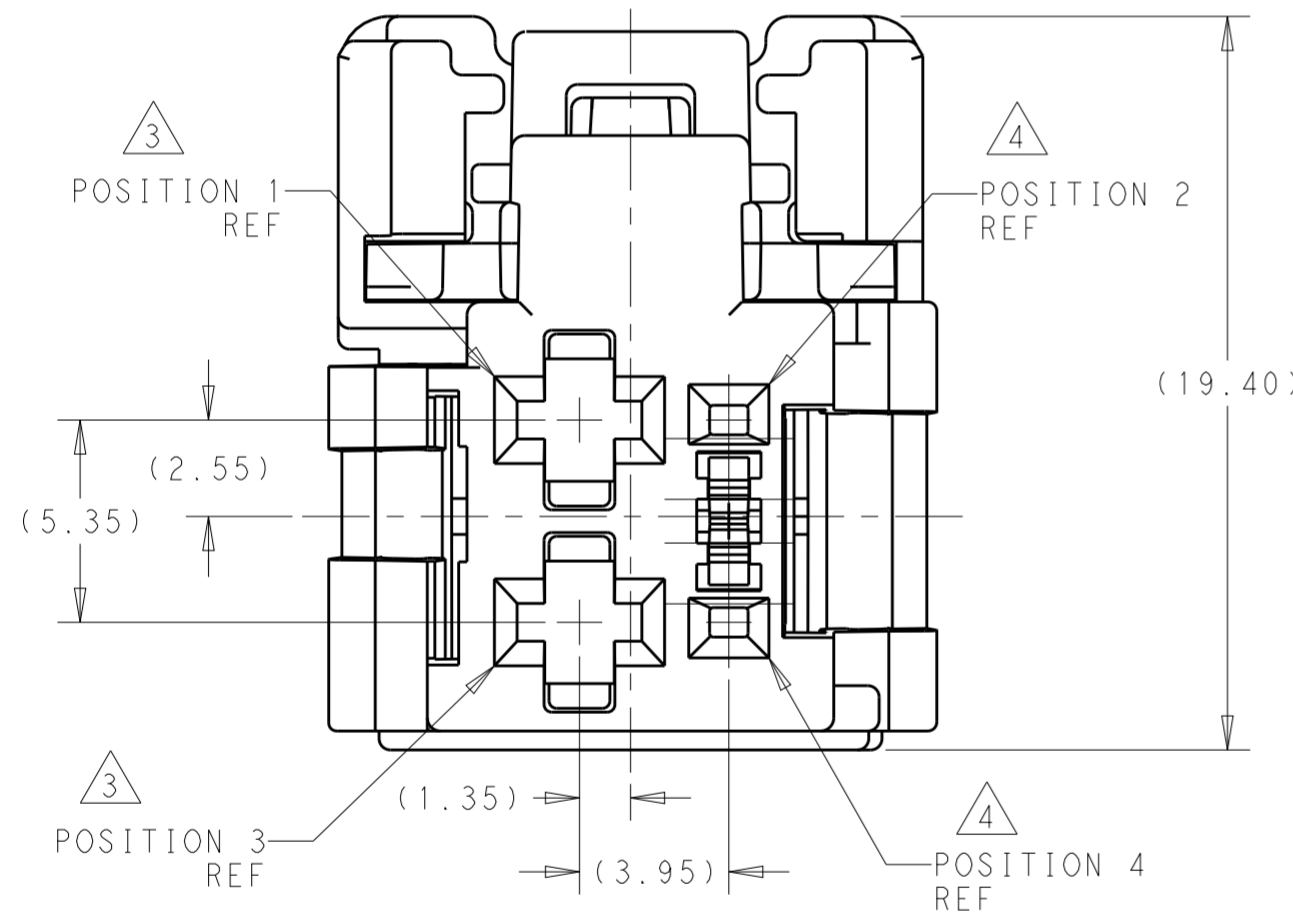


SCALE 3:1

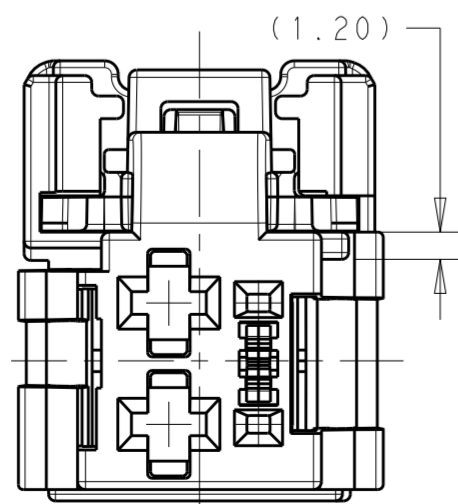


REVISIONS					
P	LTR	DESCRIPTION	DATE	DWN	APVD
A		RELEASED TO PRODUCTION	23JUL2018	PDR	PDR
A1		REVISED PER ECO-20-002241	20FEB2020	JMS	CS

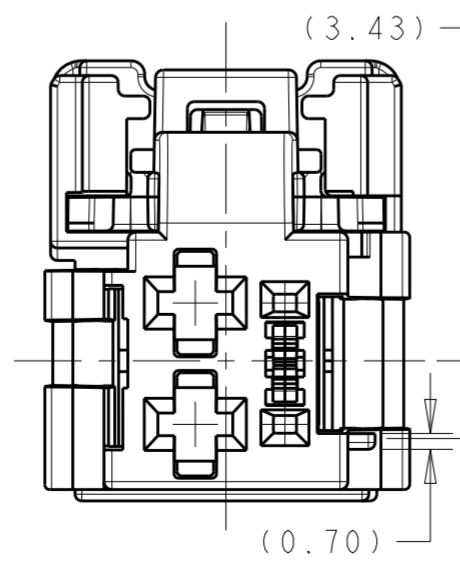
- 1 HOUSING: PBT, 15% GLASS FILLED, COLOR: BLACK
- 2 CPA: PBT, 30% GLASS FILLED, COLOR: RED
- 3 FEMALE HOUSING POSITIONS 1 AND 3 WILL ACCEPT TE MCP 2.8K RECEPTACLES. REFERENCE PART NUMBERS: 1564982, 1241390
- 4 FEMALE HOUSING POSITIONS 2 AND 4 WILL ACCEPT TE 0.64 GENERATION Y RECEPTACLES. REFERENCE PART NUMBER: 1924955
- 5 ISL AND CPA MAY BECOME SEATED DURING SHIPPING DUE TO BULK PACKAGING REFERENCE 408-32158 FOR REPOSITIONING INSTRUCTIONS.
- 6 CPA SHOWN IN PRE-STAGED, AS SHIPPED POSITION



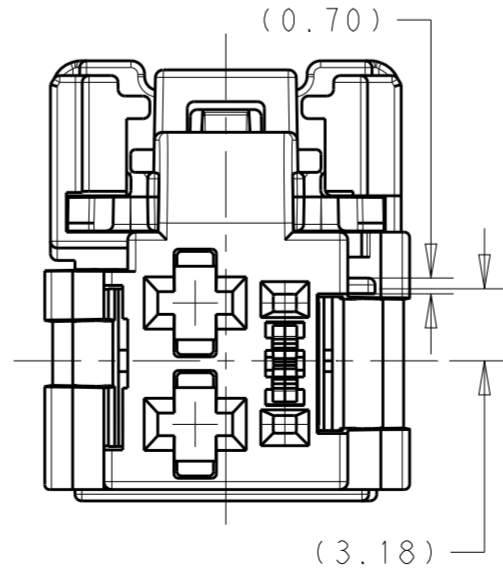
KEY F, SCALE 3:1



KEY A, SCALE 3:1



KEY E, SCALE 3:1



KEY B, SCALE 3:1

B	BROWN	2316171-4
E	DARK GRAY	2316171-3
A	LIGHT GRAY	2316171-2
F	BLACK	2316171-1
KEY CODE	COLOR	PART NUMBER

THIS DRAWING IS A CONTROLLED DOCUMENT.		DWN M. KUMAR 16MAY2017			NAME -	
DIMENSIONS: mm		CHK P. ROMAN 18MAY2017			4P HYBRID CONNECTOR ASSEMBLY	
TOLERANCES UNLESS OTHERWISE SPECIFIED:		APVD P. ROMAN 19MAY2017			SIZE CAGE CODE DRAWING NO RESTRICTED TO	
0 PLC ±		PRODUCT SPEC -			A2 - C-2316171	
1 PLC ±0.3		APPLICATION SPEC -	SCALE 5:1 SHEET 1 OF 1 REV A1			
2 PLC ±0.10		WEIGHT -				
3 PLC ±		CUSTOMER DRAWING				
4 PLC ±						
ANGLES ±1°						
FINISH -						