



# 24AA01/24LC01B/24FC01

## 1-Kbit I<sup>2</sup>C Serial EEPROM

### Device Selection Table

Part Number	Vcc Range	Max. Clock Frequency	Temp. Ranges	Available Packages
24AA01	1.7V-5.5V	400 kHz <sup>(1)</sup>	I	MC, MS, P, LT, SN, OT, MNY, ST
24LC01B	2.5V-5.5V	400 kHz	I, E	MC, MS, P, LT, SN, OT, MNY, ST
24FC01	1.7V-5.5V	1 MHz	I, E	MS, P, SN, OT, ST, Q4B, Q6B

**Note 1:** 100 kHz for Vcc < 2.5V

### Features

- Single Supply with Operation down to 1.7V for 24AA01 and 24FC01 Devices, 2.5V for 24LC01B Devices
- Low-Power CMOS Technology:
  - Read current 1 mA, maximum
  - Standby current 1  $\mu$ A, maximum (I-temp.)
- Two-Wire Serial Interface, I<sup>2</sup>C Compatible
- Schmitt Trigger Inputs for Noise Suppression
- Output Slope Control to Eliminate Ground Bounce
- 100 kHz, 400 kHz and 1 MHz Compatibility
- Page Write Time: 5 ms, Maximum
- Self-Timed Erase/Write Cycle
- 8-Byte Page Write Buffer
- Hardware Write-Protect
- ESD Protection > 4,000V
- More than 4 Million Erase/Write Cycles (FC devices)
- More than 1 Million Erase/Write Cycles (AA and LC devices)
- Data Retention > 200 Years
- Factory Programming Available
- RoHS Compliant
- Temperature Ranges:
  - Industrial (I): -40°C to +85°C
  - Extended (E): -40°C to +125°C
- AEC-Q100 Automotive Qualified

### Packages

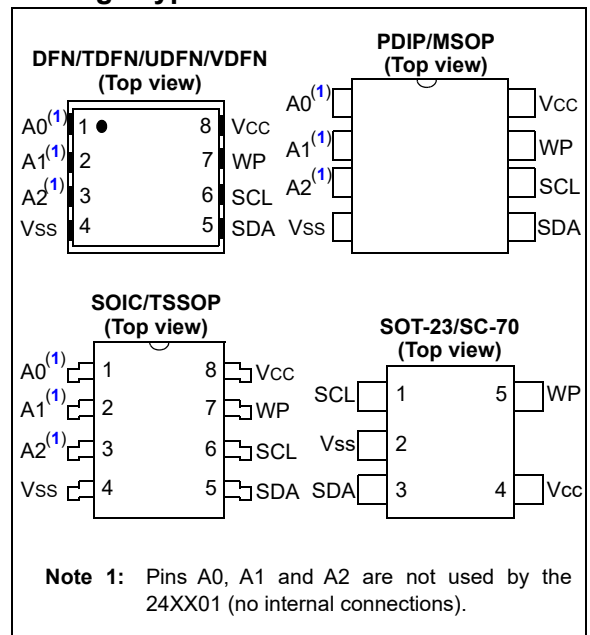
- 8-Lead DFN, 8-Lead MSOP, 8-Lead PDIP, 5-Lead SC-70, 8-Lead SOIC, 5-Lead SOT-23, 8-Lead TDFN, 8-Lead TSSOP, 8-Lead UDFN and 8-Lead Wettable Flanks VDFN

### Description

The Microchip Technology Inc. 24XX01<sup>(1)</sup> is a 1-Kbit Electrically Erasable PROM (EEPROM). The device is organized as one block of 128 x 8-bit memory with a Two-Wire serial interface. Its low-voltage design permits operation down to 1.7V with standby and active currents of only 1  $\mu$ A and 1 mA, respectively. The 24XX01 also has a page write capability for up to 8 bytes of data.

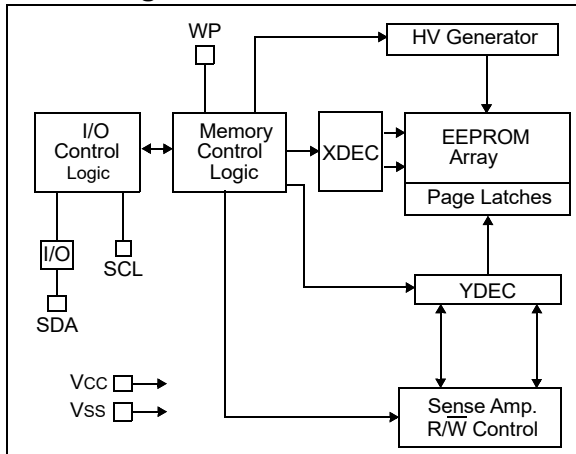
**Note 1:** 24XX01 is used in this document as a generic part number for the 24AA01/24LC01B/24FC01 devices.

### Package Types



# 24AA01/24LC01B/24FC01

## Block Diagram



# 24AA01/24LC01B/24FC01

## 1.0 ELECTRICAL CHARACTERISTICS

### Absolute Maximum Ratings (†)

V <sub>CC</sub> .....	6.5V
All inputs and outputs w.r.t. V <sub>SS</sub> .....	-0.3V to V <sub>CC</sub> +1.0V
Storage temperature.....	-65°C to +150°C
Ambient temperature with power applied.....	-40°C to +125°C
ESD protection on all pins.....	≥ 4 kV

† **NOTICE:** Stresses above those listed under “Absolute Maximum Ratings” may cause permanent damage to the device. This is a stress rating only, and functional operation of the device at those or any other conditions above those indicated in the operational listings of this specification is not implied. Exposure to maximum rating conditions for extended periods may affect device reliability.

**TABLE 1-1: DC CHARACTERISTICS**

DC CHARACTERISTICS			Industrial (I): TA = -40°C to +85°C, V <sub>CC</sub> = +1.7V to +5.5V Extended (E): TA = -40°C to +125°C, V <sub>CC</sub> = +2.5V to +5.5V (24LC01B) Extended (E): TA = -40°C to +125°C, V <sub>CC</sub> = +1.7V to +5.5V (24FC01)			
Param. No.	Symbol	Characteristic	Min.	Max.	Units	Conditions
D1	V <sub>IH</sub>	High-Level Input Voltage	0.7 V <sub>CC</sub>	—	V	
D2	V <sub>IL</sub>	Low-Level Input Voltage	—	0.3 V <sub>CC</sub>	V	
D3	V <sub>HYS</sub>	Hysteresis of Schmitt Trigger Inputs	0.05 V <sub>CC</sub>	—	V	Note 1
D4	V <sub>OL</sub>	Low-Level Output Voltage	—	0.40	V	I <sub>OL</sub> = 3.0 mA, V <sub>CC</sub> = 2.5V
D5	I <sub>LI</sub>	Input Leakage Current	—	±1	µA	V <sub>IN</sub> = V <sub>SS</sub> or V <sub>CC</sub>
D6	I <sub>LO</sub>	Output Leakage Current	—	±1	µA	V <sub>OUT</sub> = V <sub>SS</sub> or V <sub>CC</sub>
D7	C <sub>IN</sub> , C <sub>OUT</sub>	Pin Capacitance (all inputs/outputs)	—	10	pF	V <sub>CC</sub> = 5.0V (Note 1) TA = +25°C, F <sub>CLK</sub> = 1 MHz
D8	I <sub>CCWRITE</sub>	Operating Current	—	3	mA	V <sub>CC</sub> = 5.5V, SCL = 400 kHz
D9	I <sub>CCREAD</sub>		—	1	mA	V <sub>CC</sub> = 5.5V, SCL = 400 kHz
D10	I <sub>CCS</sub>	Standby Current	—	1	µA	SDA = SCL = V <sub>CC</sub> WP = V <sub>SS</sub> , I-Temp.
			—	3	µA	SDA = SCL = V <sub>CC</sub> WP = V <sub>SS</sub> , E-Temp. (24FC01)
			—	5	µA	SDA = SCL = V <sub>CC</sub> WP = V <sub>SS</sub> , E-Temp. (24LC01B)

**Note 1:** This parameter is periodically sampled and not 100% tested.

# 24AA01/24LC01B/24FC01

TABLE 1-2: AC CHARACTERISTICS

AC CHARACTERISTICS			Industrial (I): TA = -40°C to +85°C, VCC = +1.7V to +5.5V Extended (E): TA = -40°C to +125°C, VCC = +2.5V to +5.5V (24LC01B) Extended (E): TA = -40°C to +125°C, VCC = +1.7V to +5.5V (24FC01)			
Param. No.	Symbol	Characteristic	Min.	Max.	Units	Conditions
1	FCLK	Clock Frequency	—	400	kHz	2.5V ≤ VCC ≤ 5.5V
			—	100	kHz	1.7V ≤ VCC < 2.5V (24AA01)
			—	1000	kHz	1.7V ≤ VCC ≤ 5.5V (24FC01)
2	THIGH	Clock High Time	600	—	ns	2.5V ≤ VCC ≤ 5.5V
			4000	—	ns	1.7V ≤ VCC < 2.5V (24AA01)
			260	—	ns	1.7V ≤ VCC ≤ 5.5V (24FC01)
3	TLOW	Clock Low Time	1300	—	ns	2.5V ≤ VCC ≤ 5.5V
			4700	—	ns	1.7V ≤ VCC < 2.5V (24AA01)
			500	—	ns	1.7V ≤ VCC ≤ 5.5V (24FC01)
4	TR	SDA and SCL Rise Time	—	300	ns	2.5V ≤ VCC ≤ 5.5V (Note 1)
			—	1000	ns	1.7V ≤ VCC < 2.5V (24AA01) (Note 1)
			—	1000	ns	1.7V ≤ VCC ≤ 5.5V (24FC01) (Note 1)
5	TF	SDA and SCL Fall Time	—	300	ns	Note 1
6	THD:STA	Start Condition Hold Time	600	—	ns	2.5V ≤ VCC ≤ 5.5V
			4000	—	ns	1.7V ≤ VCC < 2.5V (24AA01)
			250	—	ns	1.7V ≤ VCC ≤ 5.5V (24FC01)
7	TSU:STA	Start Condition Setup Time	600	—	ns	2.5V ≤ VCC ≤ 5.5V
			4700	—	ns	1.7V ≤ VCC < 2.5V (24AA01)
			250	—	ns	1.7V ≤ VCC ≤ 5.5V (24FC01)
8	THD:DAT	Data Input Hold Time	0	—	ns	Note 2
9	TSU:DAT	Data Input Setup Time	100	—	ns	2.5V ≤ VCC ≤ 5.5V
			250	—	ns	1.7V ≤ VCC < 2.5V (24AA01)
			50	—	ns	1.7V ≤ VCC ≤ 5.5V (24FC01)
10	TSU:STO	Stop Condition Setup Time	600	—	ns	2.5V ≤ VCC ≤ 5.5V
			4000	—	ns	1.7V ≤ VCC < 2.5V (24AA01)
			250	—	ns	1.7V ≤ VCC ≤ 5.5V (24FC01)
11	TSU:WP	WP Setup Time	0	—	ns	1.7V ≤ VCC ≤ 5.5V (24FC01)
12	THD:WP	WP Hold Time	1000	—	ns	1.7V ≤ VCC ≤ 5.5V (24FC01)
13	TAA	Output Valid from Clock	—	900	ns	2.5V ≤ VCC ≤ 5.5V (Note 2)
			—	3500	ns	1.7V ≤ VCC < 2.5V (24AA01) (Note 2)
			—	450	ns	1.7V ≤ VCC ≤ 5.5V (24FC01) (Note 2)
14	TBUF	Bus Free Time: The time the bus must be free before a new transmission can start	1300	—	ns	2.5V ≤ VCC ≤ 5.5V
			4700	—	ns	1.7V ≤ VCC < 2.5V (24AA01)
			500	—	ns	1.7V ≤ VCC ≤ 5.5V (24FC01)

**Note 1:** Characterized but not 100% tested.

**2:** As a transmitter, the device must provide an internal minimum delay time to bridge the undefined region (minimum 300 ns) of the falling edge of SCL to avoid unintended generation of Start or Stop conditions.

**3:** CB = total capacitance of one bus line in pF.

**4:** This parameter is not tested but ensured by characterization.

# 24AA01/24LC01B/24FC01

**TABLE 1-2: AC CHARACTERISTICS (CONTINUED)**

AC CHARACTERISTICS (Continued)			Industrial (I): TA = -40°C to +85°C, VCC = +1.7V to +5.5V Extended (E): TA = -40°C to +125°C, VCC = +2.5V to +5.5V (24LC01B) Extended (E): TA = -40°C to +125°C, VCC = +1.7V to +5.5V (24FC01)			
Param. No.	Symbol	Characteristic	Min.	Max.	Units	Conditions
15	TOF	Output Fall Time from VIH Minimum to VIL Maximum	20+0.1CB	250	ns	2.5V ≤ VCC ≤ 5.5V (24LC01B) (Note 1 and Note 3)
			—	250	ns	1.7V ≤ VCC < 2.5V (24AA01) (Note 4)
16	TSP	Input Filter Spike Suppression (SDA and SCL pins)	—	50	ns	Note 1
17	TWC	Write Cycle Time (byte or page)	—	5	ms	
18		Endurance	4,000,000	—	cycles	+25°C, 5.5V, Page Mode, FC devices (Note 4)
			1,000,000	—	cycles	+25°C, 5.5V, Page Mode, AA and LC devices (Note 4)

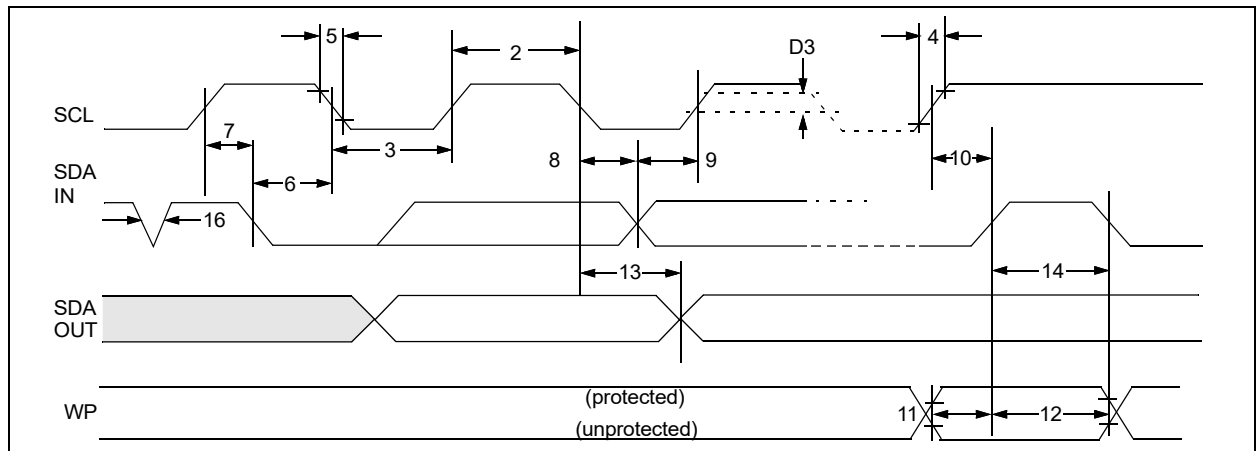
**Note 1:** Characterized but not 100% tested.

**2:** As a transmitter, the device must provide an internal minimum delay time to bridge the undefined region (minimum 300 ns) of the falling edge of SCL to avoid unintended generation of Start or Stop conditions.

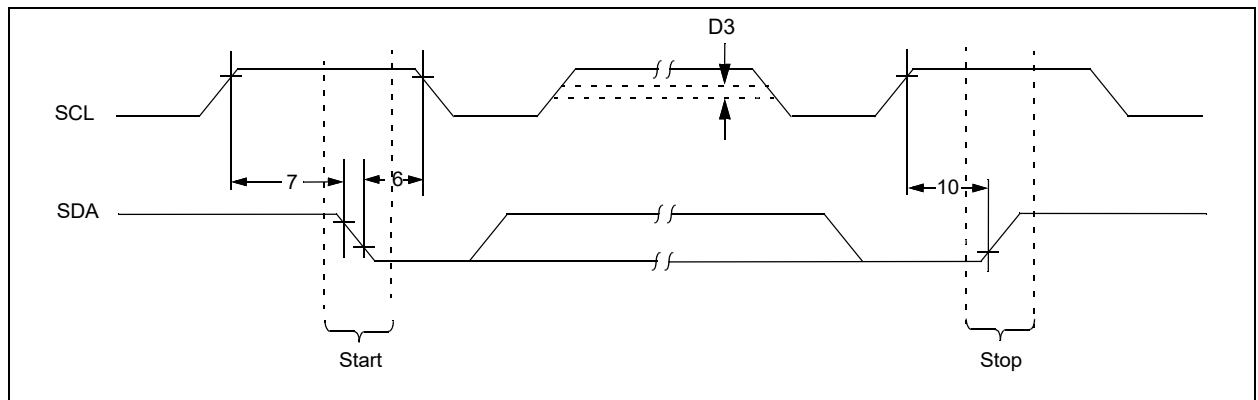
**3:** CB = total capacitance of one bus line in pF.

**4:** This parameter is not tested but ensured by characterization.

**FIGURE 1-1: BUS TIMING DATA**



**FIGURE 1-2: BUS TIMING START/STOP**



# 24AA01/24LC01B/24FC01

## 2.0 PIN DESCRIPTIONS

The descriptions of the pins are listed in [Table 2-1](#).

**TABLE 2-1: PIN FUNCTION TABLE**

Name	DFN	MSOP	PDIP	SC-70	SOIC	SOT-23	TDFN <sup>(1)</sup>	TSSOP	UDFN <sup>(1)</sup>	VDFN <sup>(1)</sup>	Description
A0	1	1	1	—	1	—	1	1	1	1	Not Connected
A1	2	2	2	—	2	—	2	2	2	2	Not Connected
A2	3	3	3	—	3	—	3	3	3	3	Not Connected
Vss	4	4	4	2	4	2	4	4	4	4	Ground
SDA	5	5	5	3	5	3	5	5	5	5	Serial Address/Data I/O
SCL	6	6	6	1	6	1	6	6	6	6	Serial Clock
WP	7	7	7	5	7	5	7	7	7	7	Write-Protect Input
Vcc	8	8	8	4	8	4	8	8	8	8	Power Supply

**Note 1:** The exposed pad on the TDFN/UDFN/VDFN package can be connected to Vss or left floating.

### 2.1 A0, A1, A2

The A0, A1 and A2 pins are not used by the 24XX01. They may be left floating or tied to either Vss or Vcc.

### 2.2 Serial Address/Data Input/Output (SDA)

The SDA input is a bidirectional pin used to transfer addresses and data into and out of the device. Since it is an open-drain terminal, the SDA bus requires a pull-up resistor to Vcc (typical 10 k $\Omega$  for 100 kHz, 2 k $\Omega$  for 400 kHz and 1 MHz).

For normal data transfer, SDA is allowed to change only during SCL low. Changes during SCL high are reserved for indicating Start and Stop conditions.

### 2.3 Serial Clock (SCL)

The SCL input is used to synchronize the data transfer to and from the device.

### 2.4 Write-Protect (WP)

This pin must be connected to either Vss or Vcc.

If tied to Vss, normal memory operation is enabled (read/write the entire memory 00-7F).

If tied to Vcc, write operations are inhibited. The entire memory will be write-protected. Read operations are not affected.

## 3.0 FUNCTIONAL DESCRIPTION

The 24XX01 supports a bidirectional, Two-Wire bus and data transmission protocol. A device that sends data onto the bus is defined as transmitter, while defining a device receiving data as a receiver. The bus has to be controlled by a host device which generates the Serial Clock (SCL), controls the bus access and generates the Start and Stop conditions, while the 24XX01 works as a client. Both the host and client can operate as a transmitter or a receiver, but the host device determines which mode is activated.

### 3.1 Device Factory Default Condition

The 24XX01 is shipped to the customer with the EEPROM array set to FFh data pattern (logic '1' state).

## 4.0 BUS CHARACTERISTICS

The following **bus protocol** has been defined:

- Data transfer may be initiated only when the bus is not busy.
- During data transfer, the data line must remain stable whenever the clock line is high. Changes in the data line while the clock line is high will be interpreted as a Start or Stop condition.

Accordingly, the following bus conditions have been defined (Figure 4-1).

### 4.1 Bus Not Busy (A)

Both data and clock lines remain high.

### 4.2 Start Data Transfer (B)

A high-to-low transition of the SDA line while the clock (SCL) is high determines a Start condition. All commands must be preceded by a Start condition.

### 4.3 Stop Data Transfer (C)

A low-to-high transition of the SDA line while the clock (SCL) is high determines a Stop condition. All operations must be ended with a Stop condition.

### 4.4 Data Valid (D)

The state of the data line represents valid data when, after a Start condition, the data line is stable for the duration of the high period of the clock signal.

The data on the line must be changed during the low period of the clock signal. There is one clock pulse per bit of data.

Each data transfer is initiated with a Start condition and terminated with a Stop condition. The number of data bytes transferred between the Start and Stop conditions is determined by the host device and is, theoretically, unlimited (although only the last eight

will be stored when doing a write operation). When an overwrite does occur, it will replace data based on the First-In First-Out (FIFO) principle.

## 4.5 Acknowledge

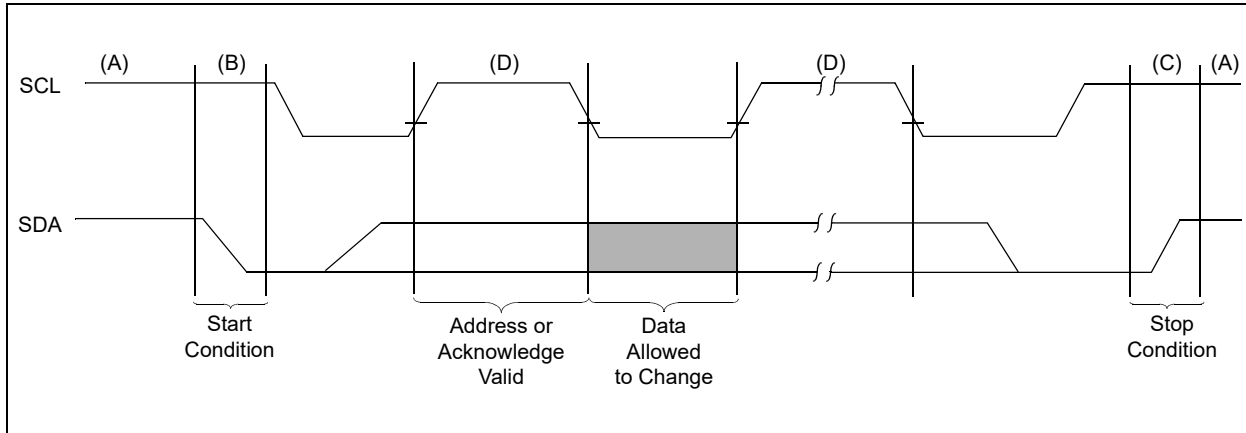
Each receiving device, when addressed, is obliged to generate an Acknowledge after the reception of each byte. The host device must generate an extra clock pulse which is associated with this Acknowledge bit.

**Note:** The 24XX01 does not generate any Acknowledge bits if an internal programming cycle is in progress.

The device that acknowledges has to pull down the SDA line during the Acknowledge clock pulse in such a way that the SDA line is stable-low during the high period of the Acknowledge-related clock pulse. Moreover, setup and hold times must be taken into account. During reads, a host must signal an end of data to the client by not generating an Acknowledge bit on the last byte that has been clocked out of the client. In this case, the client (24XX01) will leave the data line high to enable the host to generate the Stop condition.

# 24AA01/24LC01B/24FC01

FIGURE 4-1: DATA TRANSFER SEQUENCE ON THE SERIAL BUS



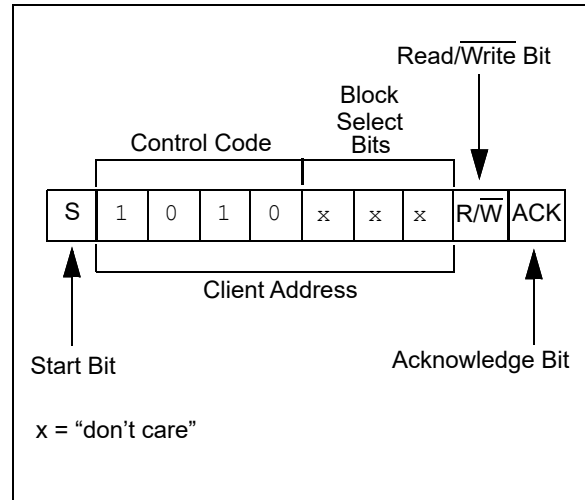
## 5.0 DEVICE ADDRESSING

A control byte is the first byte received following the Start condition from the host device. The control byte consists of a four-bit control code. For the 24XX01, this is set as '1010' binary for read and write operations. The next three bits of the control byte are "don't cares" for the 24XX01. The combination of the 4-bit control code and the next three bits are called the client address.

The last bit of the control byte is the Read/Write ( $\overline{R/W}$ ) bit and it defines the operation to be performed. When set to '1', a read operation is selected. When set to '0', a write operation is selected. Following the Start condition, the 24XX01 monitors the SDA bus, checking the device type identifier being transmitted. Upon receiving a valid client address and the  $\overline{R/W}$  bit, the client device outputs an Acknowledge signal on the SDA line. Depending on the state of the  $\overline{R/W}$  bit, the 24XX01 will select a read or write operation.

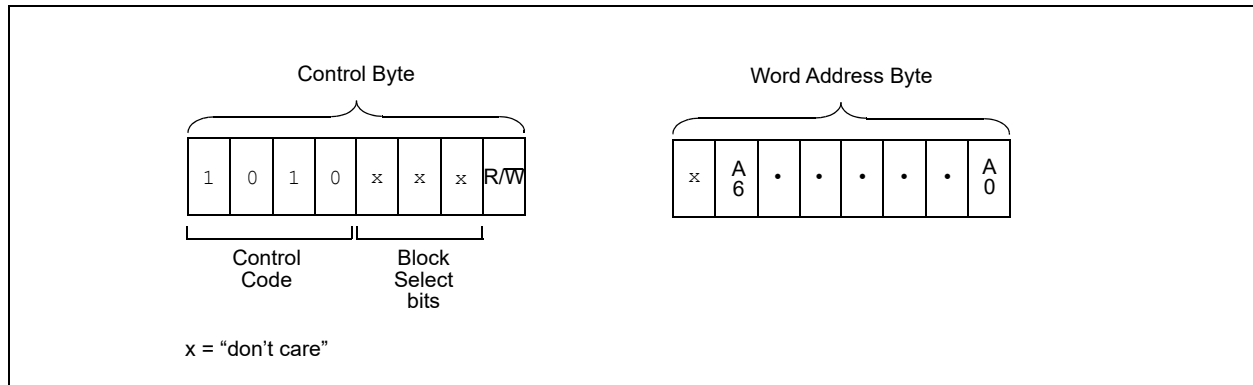
The next byte received defines the address of the first data byte within the selected block (Figure 5-2). Because only A6...A0 are used, the upper address bit is a "don't care".

FIGURE 5-1: CONTROL BYTE ALLOCATION



Operation	Control Code	Block Select	$\overline{R/W}$
Read	1010	Block Address	1
Write	1010	Block Address	0

FIGURE 5-2: ADDRESS SEQUENCE BIT ASSIGNMENTS



# 24AA01/24LC01B/24FC01

## 6.0 WRITE OPERATION

### 6.1 Byte Write

Following the Start condition from the host, the device code (4 bits), the block address (3 bits, “don’t cares”) and the R/W bit, which is a logic-low, are placed onto the bus by the host transmitter. This indicates to the addressed client receiver that a byte with a word address will follow after it has generated an Acknowledge bit during the ninth clock cycle. Therefore, the next byte transmitted by the host is the word address and will be written into the Address Pointer of the 24XX01. After receiving another Acknowledge signal from the 24XX01, the host device will transmit the data word to be written into the addressed memory location. The 24XX01 acknowledges again and the host generates a Stop condition. This initiates the internal write cycle, and during this time, the 24XX01 will not generate Acknowledge signals (Figure 6-1).

### 6.2 Page Write

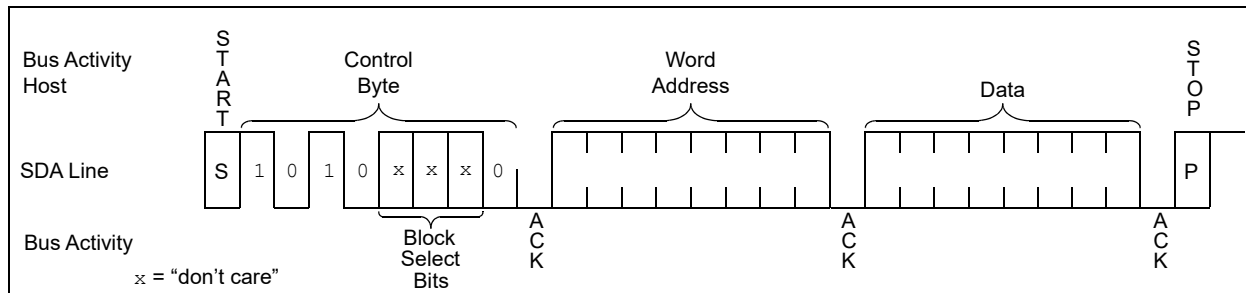
The write control byte, word address and first data byte are transmitted to the 24XX01 in the same way as in a byte write. However, instead of generating a Stop condition, the host transmits up to 8 data bytes to the 24XX01, which are temporarily stored in the on-chip page buffer and will be written into the memory once the host has transmitted a Stop condition. Upon receipt of each word, the three lower-order Address Pointer bits, which form the byte counter, are internally incremented by one. The higher-order five bits of the word address remain constant. If the host should transmit more than eight words prior to generating the Stop condition, the Address Pointer will roll over and the previously received data will be overwritten. As with the byte write operation, once the Stop condition is received, an internal write cycle will begin (Figure 6-2).

**Note:** Page write operations are limited to writing bytes within a single physical page **regardless** of the number of bytes actually being written. Physical page boundaries start at addresses that are integer multiples of the page buffer size (or ‘page size’) and end at addresses that are integer multiples of page size – 1. If a page write command attempts to write across a physical page boundary, the result is that the data wrap around to the beginning of the current page (overwriting data previously stored there), instead of being written to the next page, as might be expected. It is, therefore, necessary for the application software to prevent page write operations that would attempt to cross a page boundary.

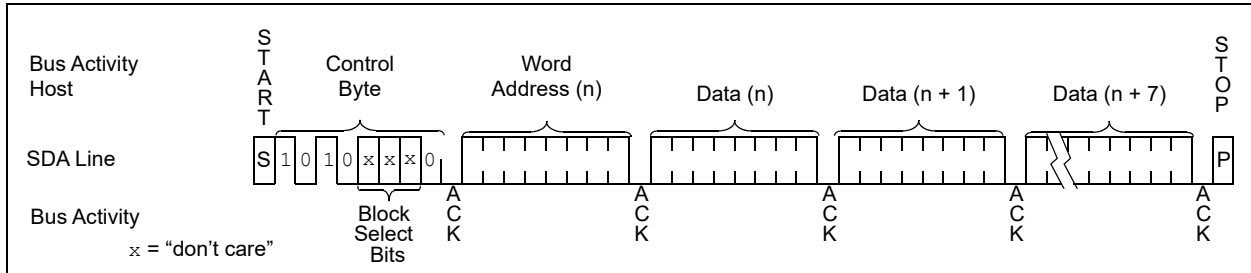
### 6.3 Write Protection

The WP pin allows the user to write-protect the entire array (00-7F) when the pin is tied to VCC. If tied to VSS, the write protection is disabled.

FIGURE 6-1: BYTE WRITE



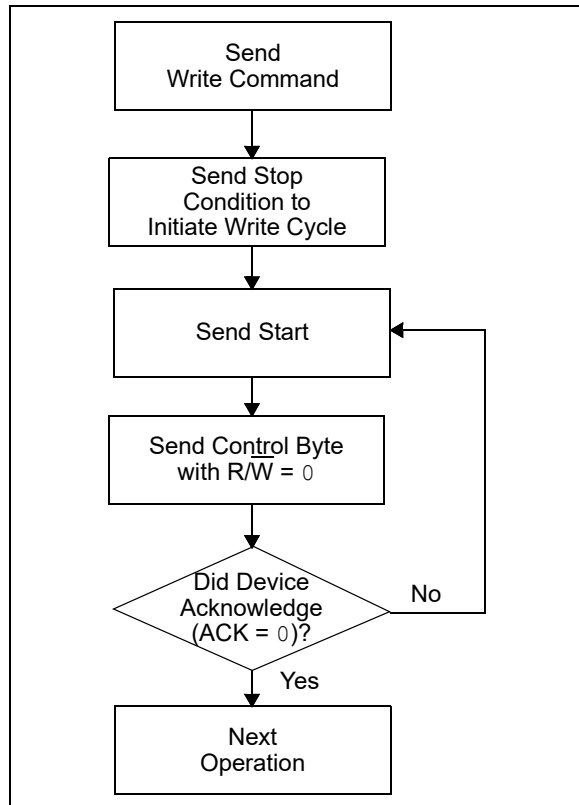
**FIGURE 6-2: PAGE WRITE**



## 7.0 ACKNOWLEDGE POLLING

Since the device will not acknowledge during a write cycle, acknowledge polling can be used to determine when the cycle is complete (this feature can be used to maximize bus throughput). Once the Stop condition for a write command has been issued from the host, the device initiates the internally-timed write cycle. ACK polling can then be initiated immediately. This involves the host sending a Start condition followed by the control byte for a write command ( $R/\overline{W} = 0$ ). If the device is still busy with the write cycle, no ACK will be returned. If the cycle is complete, the device will return the ACK and the host can then proceed with the next read or write operation. See [Figure 7-1](#) for a flow diagram of this operation.

**FIGURE 7-1: ACKNOWLEDGE POLLING FLOW**



## 8.0 READ OPERATION

Read operations are initiated in the same way as write operations, with the exception that the R/W bit of the client address is set to '1'. There are three basic types of read operations: current address read, random read and sequential read.

### 8.1 Current Address Read

The 24XX01 contains an Address Pointer that maintains the address of the last word accessed, internally incremented by one. Therefore, if the previous access (either a read or write operation) was to address  $n$ , the next current address read operation would access data from address  $n + 1$ . Upon receipt of the client address with R/W bit set to '1', the 24XX01 issues an Acknowledge and transmits the 8-bit data word. The host will not acknowledge the transfer, but does generate a Stop condition and the 24XX01 discontinues transmission (Figure 8-1).

### 8.2 Random Read

Random read operations allow the host to access any memory location in a random manner. To perform this type of read operation, the word address must first be set. This is accomplished by sending the word address to the 24XX01 as part of a write operation. Once the word address is sent, the host generates a Start condition following the Acknowledge. This terminates the write operation, but not before the internal Address Pointer is set. The host then issues the control byte again, but with the R/W bit set to a '1'. The 24XX01 will then issue an Acknowledge and transmits the 8-bit data word. The host will not acknowledge the transfer, but does generate a Stop condition and the 24XX01 discontinues transmission (Figure 8-2).

### 8.3 Sequential Read

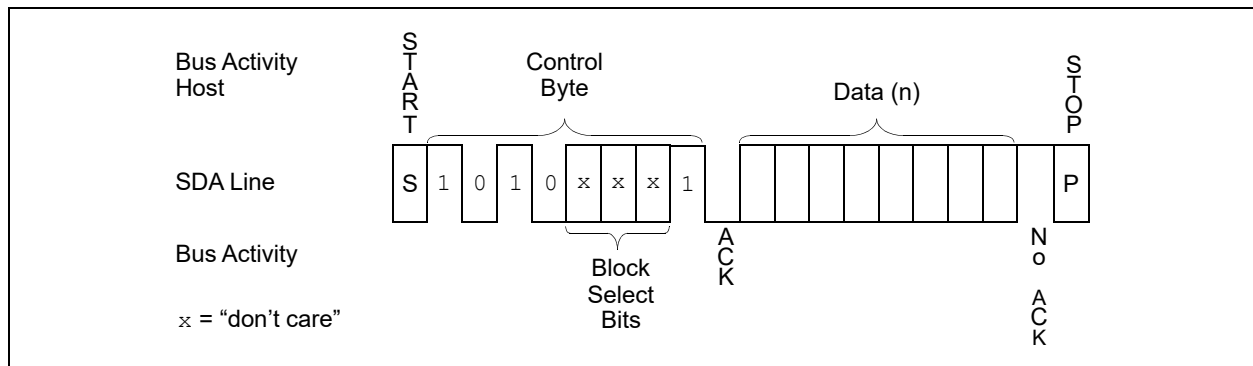
Sequential reads are initiated in the same way as a random read, except that once the 24XX01 transmits the first data byte, the host issues an Acknowledge (as opposed to a Stop condition in a random read). This directs the 24XX01 to transmit the next sequentially addressed 8-bit word (Figure 8-3).

To provide sequential reads, the 24XX01 contains an internal Address Pointer which is incremented by one at the completion of each operation. This Address Pointer allows the entire memory contents to be serially read during one operation.

### 8.4 Noise Protection

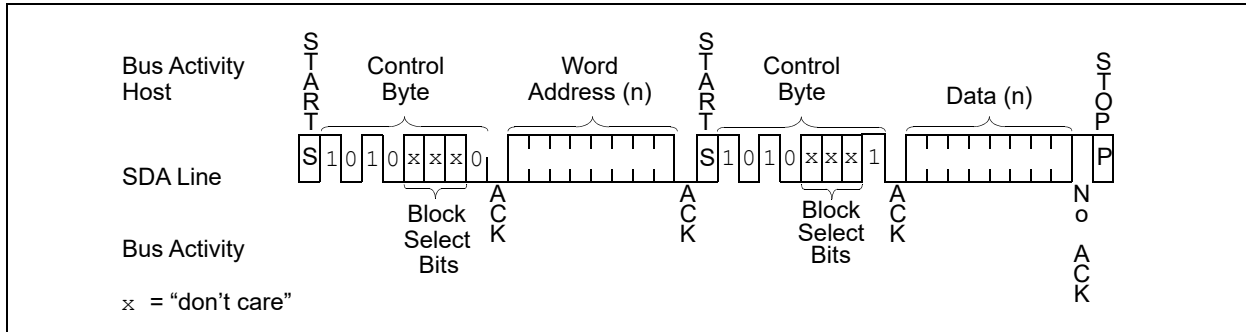
The SCL and SDA inputs have Schmitt Trigger and filter circuits which suppress noise spikes to assure proper device operation even on a noisy bus.

**FIGURE 8-1: CURRENT ADDRESS READ**

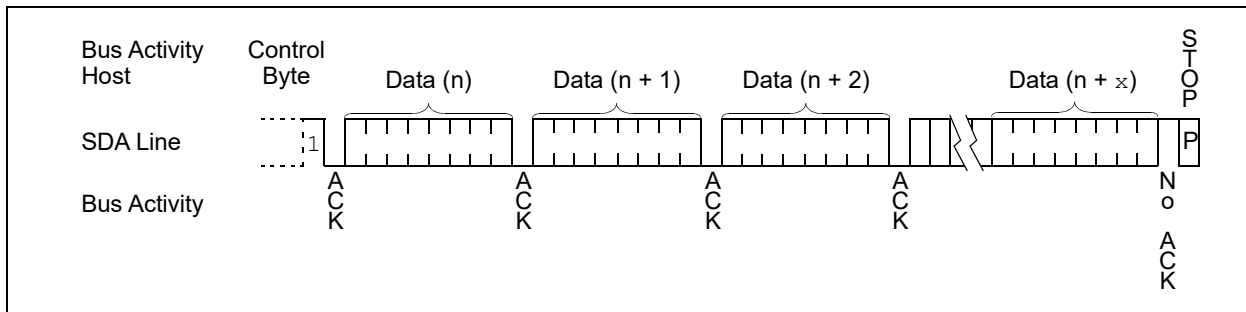


# 24AA01/24LC01B/24FC01

**FIGURE 8-2: RANDOM READ**



**FIGURE 8-3: SEQUENTIAL READ**

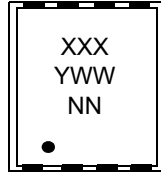


# 24AA01/24LC01B/24FC01

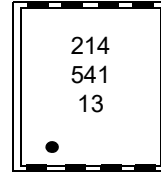
## 9.0 PACKAGING INFORMATION

### 9.1 Package Marking Information\*

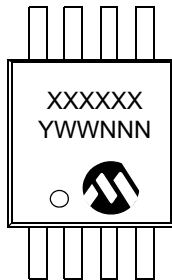
8-Lead 2x3 DFN



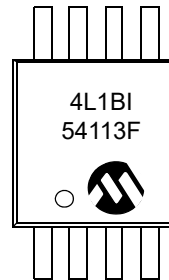
Example



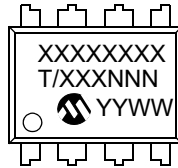
8-Lead MSOP



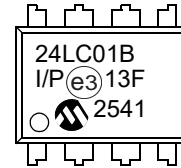
Example



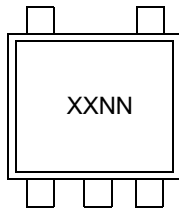
8-Lead PDIP (300 mil)



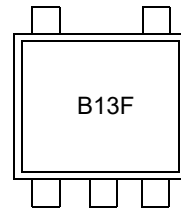
Example



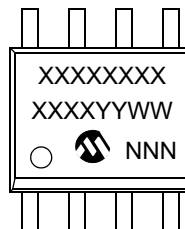
5-Lead SC-70



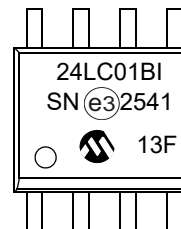
Example



8-Lead SOIC (3.90 mm)

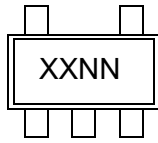


Example

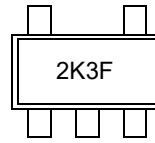


# 24AA01/24LC01B/24FC01

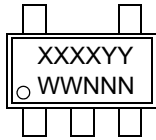
5-Lead SOT-23 (1-Line Marking)



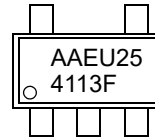
Example



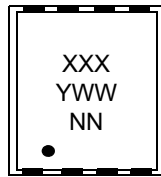
5-Lead SOT-23 (2-Line Marking)



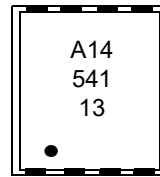
Example



8-Lead 2x3 TDFN



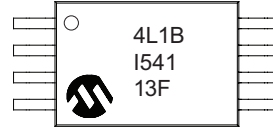
Example



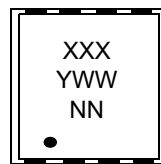
8-Lead TSSOP



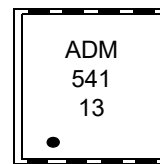
Example



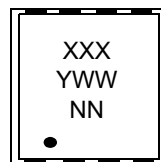
8-Lead 2x3 UDFN (Q4B)



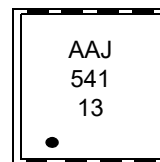
Example



8-Lead 2x3 VDFN (Q6B)



Example



# 24AA01/24LC01B/24FC01

Part Number	1 <sup>st</sup> Line Marking Codes											
	DFN		MSOP	SC-70		SOT-23		TDFN		TSSOP	UDFN (Q4B)	VDFN (Q6B)
	I-Temp	E-Temp		I-Temp	E-Temp	I-Temp	E-Temp	I-Temp	E-Temp			
24AA01	211	—	4A01T	B2NN	—	B1NN <sup>(1)</sup>	—	A11	—	4A01	—	—
24LC01B	214	215	4L1BT	B1NN	B3NN	M1NN <sup>(1)</sup>	N1NN <sup>(1)</sup>	A14	A15	4L1B	—	—
24FC01	—	—	24FC01	—	—	AAEUYY <sup>(2)</sup>	AAEUYY <sup>(2)</sup>	—	—	AADP	ADM	AAJ

**Note 1:** These parts use the 1-line SOT-23 marking format.

**Note 2:** These parts use the 2-line SOT-23 marking format.

<b>Legend:</b>	XX...X	Part number or part number code
	T	Temperature (I, E)
	Y	Year code (last digit of calendar year)
	YY	Year code (last 2 digits of calendar year)
	WW	Week code (week of January 1 is week '01')
	NNN	Alphanumeric traceability code (2 characters for small packages)
	ⓔ3	JEDEC <sup>®</sup> designator for Matte Tin (Sn)

**Note:** Standard OTP marking consists of Microchip part number, year code, week code, and traceability code.

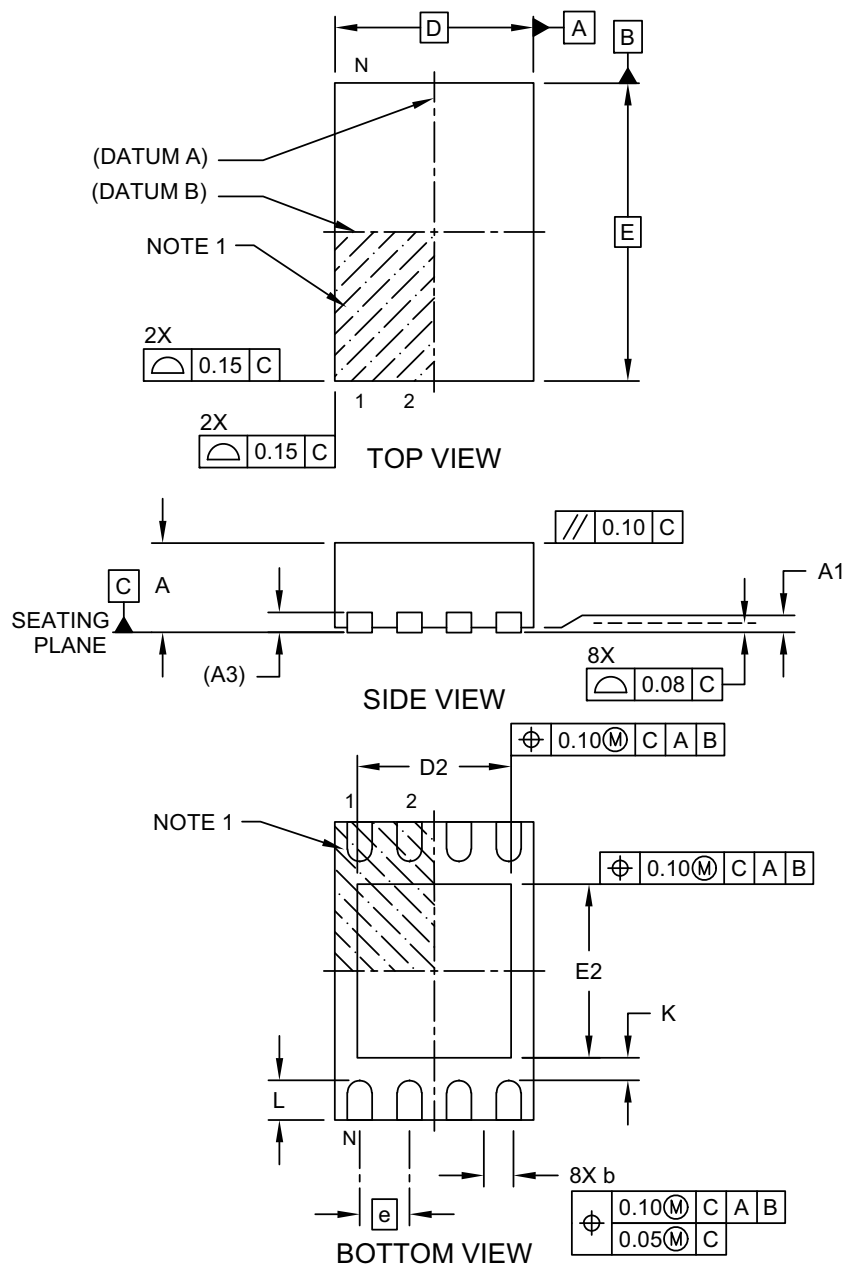
**Note:** For very small packages with no room for the JEDEC<sup>®</sup> designator ⓔ3, the marking will only appear on the outer carton or reel label.

**Note:** In the event the full Microchip part number cannot be marked on one line, it will be carried over to the next line, thus limiting the number of available characters for customer-specific information.

# 24AA01/24LC01B/24FC01

## 8-Lead Plastic Dual Flat, No Lead Package (MC) - 2x3x1 mm Body [DFN]

**Note:** For the most current package drawings, please see the Microchip Packaging Specification located at <http://www.microchip.com/packaging>

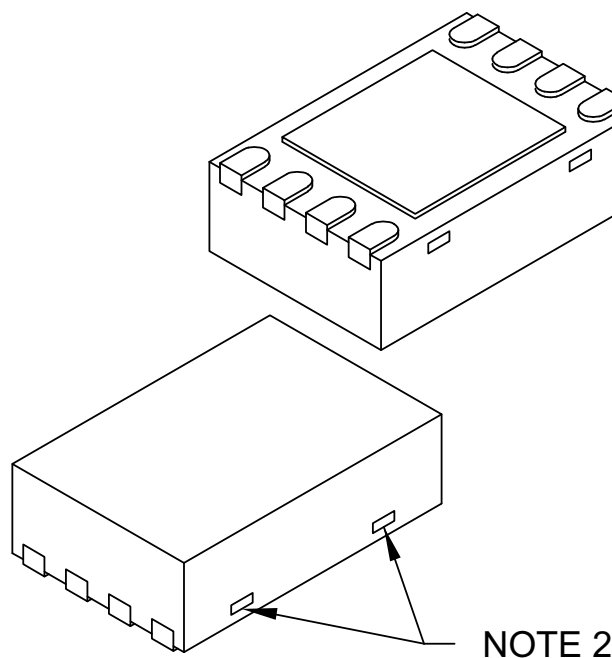


Microchip Technology Drawing C04-123 Rev E Sheet 1 of 2

# 24AA01/24LC01B/24FC01

## 8-Lead Plastic Dual Flat, No Lead Package (MC) - 2x3x1 mm Body [DFN]

**Note:** For the most current package drawings, please see the Microchip Packaging Specification located at <http://www.microchip.com/packaging>



Dimension Limits	Units	MILLIMETERS		
		MIN	NOM	MAX
Number of Terminals	N	8		
Pitch	e	0.50 BSC		
Overall Height	A	0.80	0.90	1.00
Standoff	A1	0.00	0.02	0.05
Terminal Thickness	A3	0.20 REF		
Overall Length	D	2.00 BSC		
Exposed Pad Length	D2	1.30	-	1.55
Overall Width	E	3.00 BSC		
Exposed Pad Width	E2	1.50	-	1.75
Terminal Width	b	0.20	0.25	0.30
Terminal Length	L	0.30	0.40	0.50
Terminal-to-Exposed-Pad	K	0.20	-	-

**Notes:**

1. Pin 1 visual index feature may vary, but must be located within the hatched area.
2. Package may have one or more exposed tie bars at ends.
3. Package is saw singulated
4. Dimensioning and tolerancing per ASME Y14.5M

BSC: Basic Dimension. Theoretically exact value shown without tolerances.

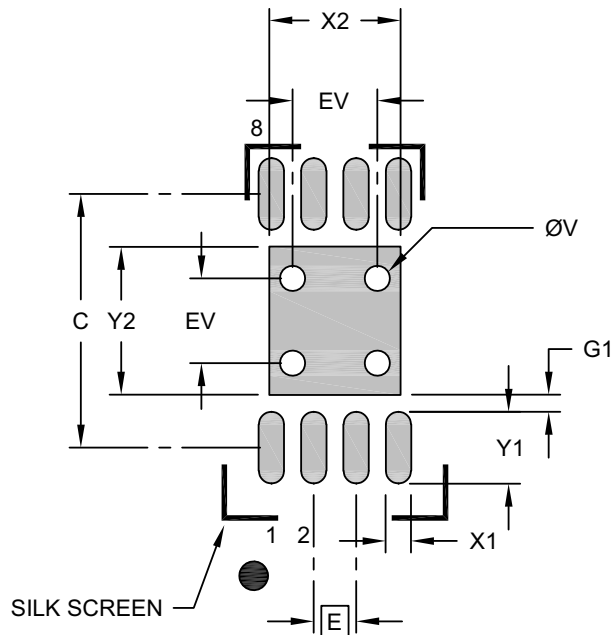
REF: Reference Dimension, usually without tolerance, for information purposes only.

Microchip Technology Drawing C04-123 Rev E Sheet 2 of 2

# 24AA01/24LC01B/24FC01

## 8-Lead Plastic Dual Flat, No Lead Package (MC) - 2x3x1 mm Body [DFN]

**Note:** For the most current package drawings, please see the Microchip Packaging Specification located at <http://www.microchip.com/packageing>



### RECOMMENDED LAND PATTERN

Dimension Limits	Units	MILLIMETERS		
		MIN	NOM	MAX
Contact Pitch	E	0.50 BSC		
Optional Center Pad Width	X2			1.55
Optional Center Pad Length	Y2			1.75
Contact Pad Spacing	C		3.00	
Contact Pad Width (X8)	X1			0.30
Contact Pad Length (X8)	Y1			0.85
Contact Pad to Center Pad (X8)	G1	0.20		
Thermal Via Diameter	V		0.30	
Thermal Via Pitch	EV		1.00	

#### Notes:

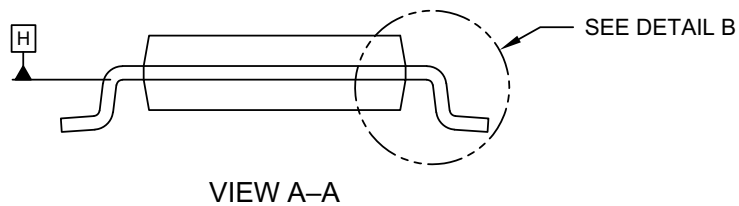
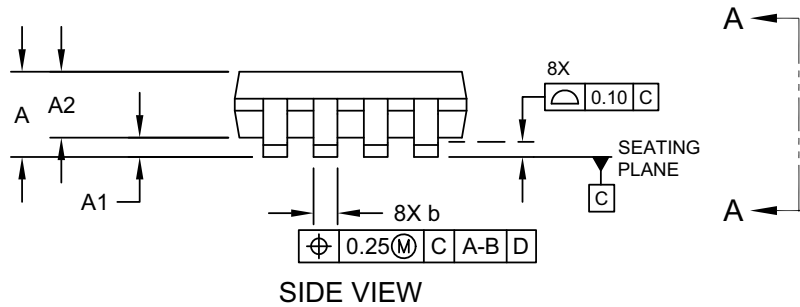
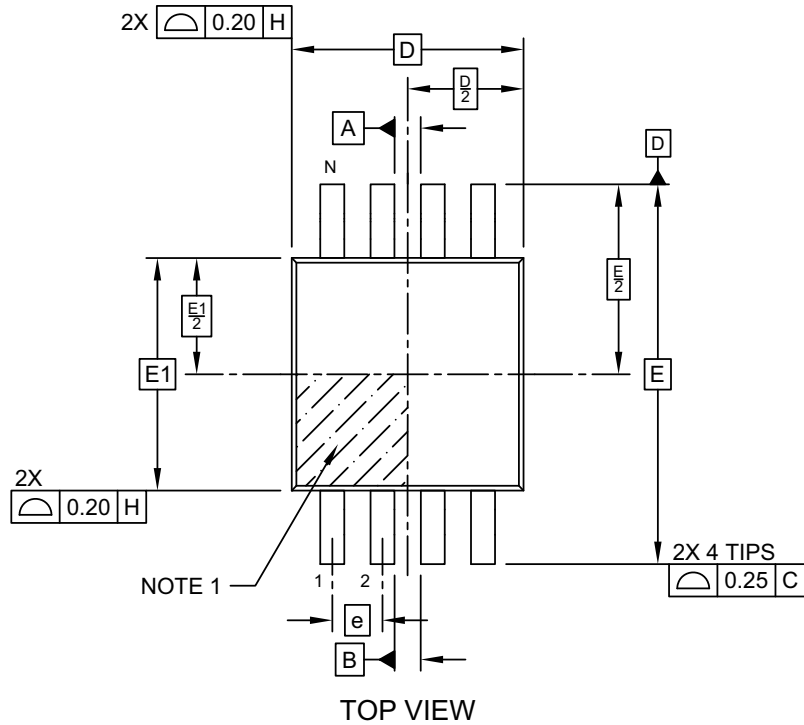
- Dimensioning and tolerancing per ASME Y14.5M  
BSC: Basic Dimension. Theoretically exact value shown without tolerances.
- For best soldering results, thermal vias, if used, should be filled or tented to avoid solder loss during reflow process

Microchip Technology Drawing C04-2123 Rev E

# 24AA01/24LC01B/24FC01

## 8-Lead Plastic Micro Small Outline Package (MS) - 3x3 mm Body [MSOP]

**Note:** For the most current package drawings, please see the Microchip Packaging Specification located at <http://www.microchip.com/packaging>

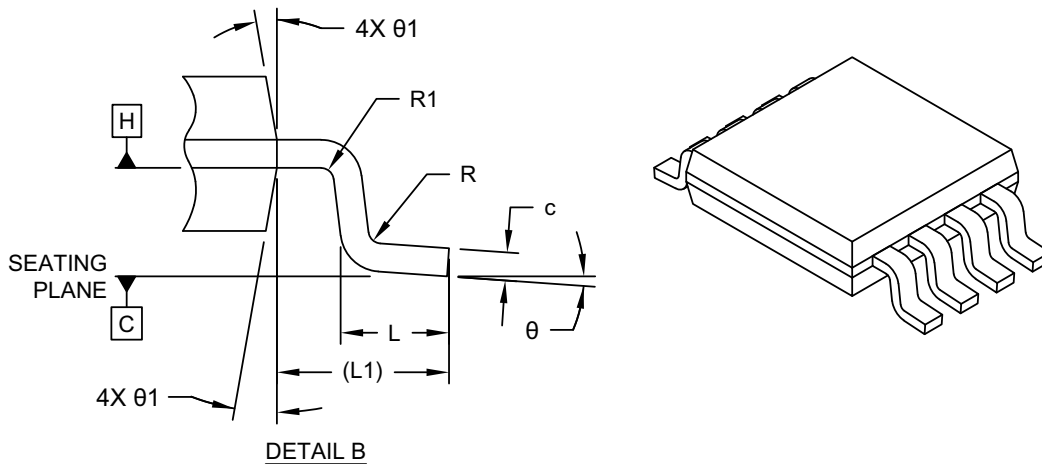


Microchip Technology Drawing C04-111-MS Rev F Sheet 1 of 2

# 24AA01/24LC01B/24FC01

## 8-Lead Plastic Micro Small Outline Package (MS) - 3x3 mm Body [MSOP]

**Note:** For the most current package drawings, please see the Microchip Packaging Specification located at <http://www.microchip.com/packaging>



Dimension Limits	Units	MILLIMETERS		
		MIN	NOM	MAX
Number of Terminals	N	8		
Pitch	e	0.65 BSC		
Overall Height	A	–	–	1.10
Standoff	A1	0.00	–	0.15
Molded Package Thickness	A2	0.75	0.85	0.95
Overall Length	D	3.00 BSC		
Overall Width	E	4.90 BSC		
Molded Package Width	E1	3.00 BSC		
Terminal Width	b	0.22	–	0.40
Terminal Thickness	c	0.08	–	0.23
Terminal Length	L	0.40	0.60	0.80
Footprint	L1	0.95 REF		
Lead Bend Radius	R	0.07	–	–
Lead Bend Radius	R1	0.07	–	–
Foot Angle	θ	0°	–	8°
Mold Draft Angle	θ1	5°	–	15°

**Notes:**

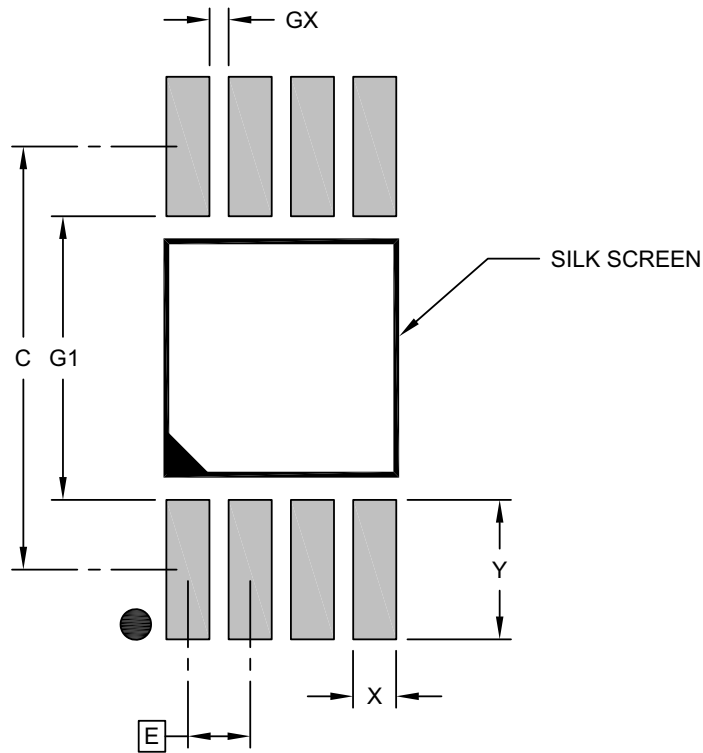
- Pin 1 visual index feature may vary, but must be located within the hatched area.
- Dimensions D and E1 do not include mold flash or protrusions. Mold flash or protrusions shall not exceed 0.15mm per side.
- Dimensioning and tolerancing per ASME Y14.5M  
 BSC: Basic Dimension. Theoretically exact value shown without tolerances.  
 REF: Reference Dimension, usually without tolerance, for information purposes only.

Microchip Technology Drawing C04-111-MS Rev F Sheet 2 of 2

# 24AA01/24LC01B/24FC01

## 8-Lead Plastic Micro Small Outline Package (MS) - 3x3 mm Body [MSOP]

**Note:** For the most current package drawings, please see the Microchip Packaging Specification located at <http://www.microchip.com/packaging>



### RECOMMENDED LAND PATTERN

Dimension Limits	Units	MILLIMETERS		
		MIN	NOM	MAX
Contact Pitch	E	0.65 BSC		
Contact Pad Spacing	C		4.40	
Contact Pad Width (X8)	X			0.45
Contact Pad Length (X8)	Y			1.45
Contact Pad to Contact Pad (X4)	G1	2.95		
Contact Pad to Contact Pad (X6)	GX	0.20		

**Notes:**

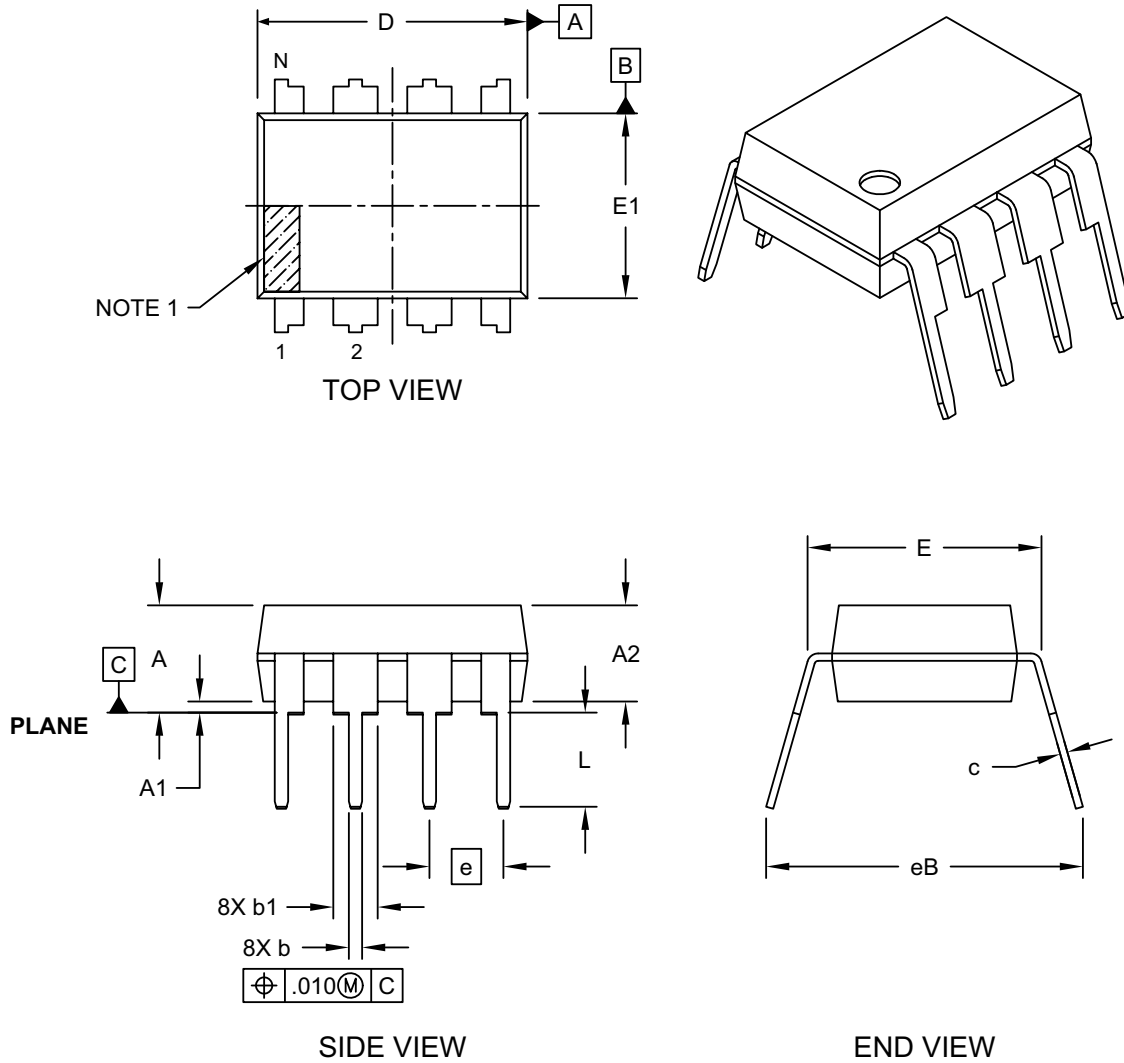
- Dimensioning and tolerancing per ASME Y14.5M  
BSC: Basic Dimension. Theoretically exact value shown without tolerances.

Microchip Technology Drawing C04-2111-MS Rev F

# 24AA01/24LC01B/24FC01

## 8-Lead Plastic Dual In-Line (P) - 300 mil Body [PDIP]

**Note:** For the most current package drawings, please see the Microchip Packaging Specification located at <http://www.microchip.com/packaging>

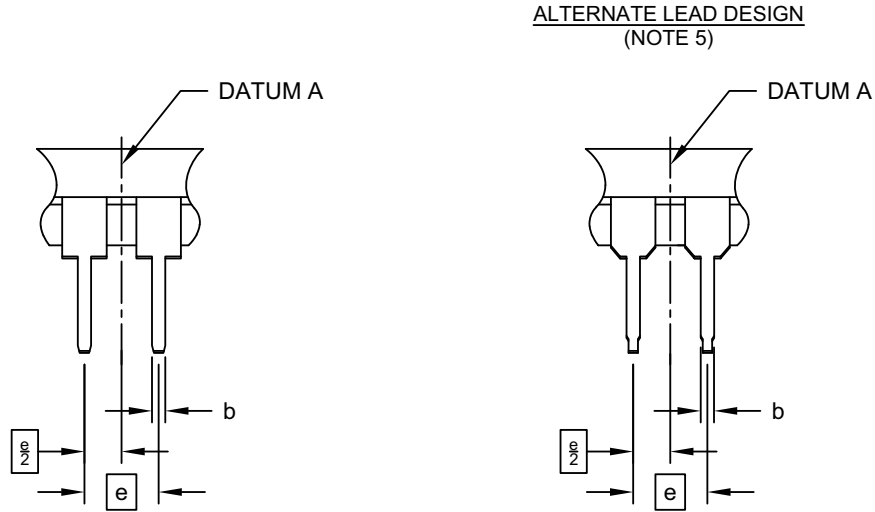


Microchip Technology Drawing No. C04-018-P Rev G Sheet 1 of 2

# 24AA01/24LC01B/24FC01

## 8-Lead Plastic Dual In-Line (P) - 300 mil Body [PDIP]

**Note:** For the most current package drawings, please see the Microchip Packaging Specification located at <http://www.microchip.com/packaging>



Dimension Limits	Units	INCHES		
		MIN	NOM	MAX
Number of Pins	N	8		
Pitch	e	.100 BSC		
Top to Seating Plane	A	-	-	.210
Molded Package Thickness	A2	.115	.130	.195
Base to Seating Plane	A1	.015	-	-
Shoulder to Shoulder Width	E	.290	.310	.325
Molded Package Width	E1	.240	.250	.280
Overall Length	D	.348	.365	.400
Tip to Seating Plane	L	.115	.130	.150
Lead Thickness	c	.008	.010	.015
Upper Lead Width	b1	.040	.060	.070
Lower Lead Width	b	.014	.018	.022
Overall Row Spacing	§ eB	-	-	.430

**Notes:**

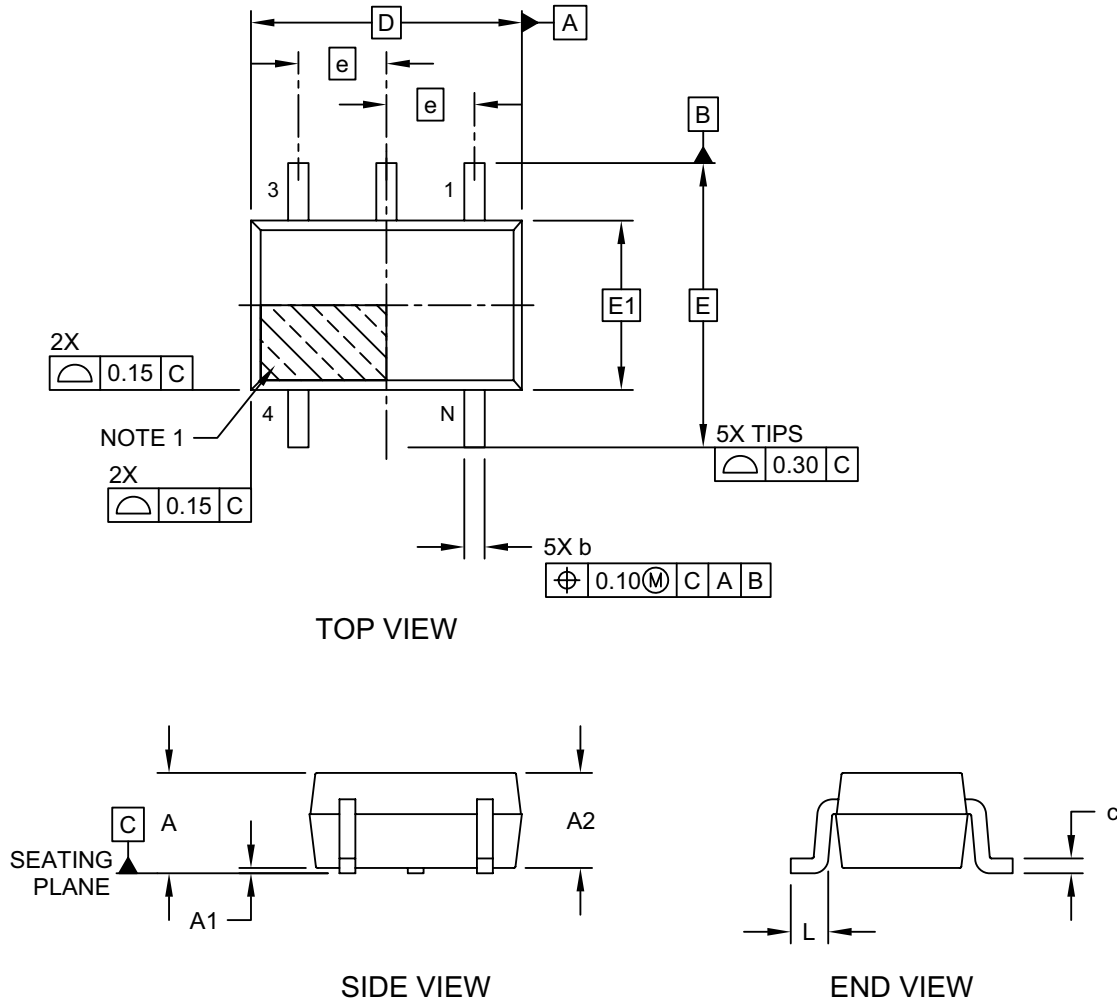
- Pin 1 visual index feature may vary, but must be located within the hatched area.
- § Significant Characteristic
- Dimensions D and E1 do not include mold flash or protrusions. Mold flash or protrusions shall not exceed .010" per side.
- Dimensioning and tolerancing per ASME Y14.5M  
BSC: Basic Dimension. Theoretically exact value shown without tolerances.
- Lead design above seating plane may vary, based on assembly vendor.

Microchip Technology Drawing No. C04-018-P Rev G Sheet 2 of 2

# 24AA01/24LC01B/24FC01

## 5-Lead Plastic Small Outline Transistor (LT) [SC70]

**Note:** For the most current package drawings, please see the Microchip Packaging Specification located at <http://www.microchip.com/packaging>

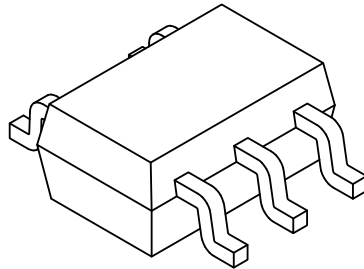


Microchip Technology Drawing C04-061-LT Rev E Sheet 1 of 2

# 24AA01/24LC01B/24FC01

## 5-Lead Plastic Small Outline Transistor (LT) [SC70]

**Note:** For the most current package drawings, please see the Microchip Packaging Specification located at <http://www.microchip.com/packaging>



Dimension Limits	Units	MILLIMETERS		
		MIN	NOM	MAX
Number of Pins	N	5		
Pitch	e	0.65 BSC		
Overall Height	A	0.80	-	1.10
Standoff	A1	0.00	-	0.10
Molded Package Thickness	A2	0.80	-	1.00
Overall Length	D	2.00 BSC		
Overall Width	E	2.10 BSC		
Molded Package Width	E1	1.25 BSC		
Terminal Width	b	0.15	-	0.40
Terminal Length	L	0.10	0.20	0.46
Lead Thickness	c	0.08	-	0.26

### Notes:

1. Pin 1 visual index feature may vary, but must be located within the hatched area.
2. Dimensions D and E1 do not include mold flash or protrusions. Mold flash or protrusions shall not exceed 0.15mm per side.
3. Dimensioning and tolerancing per ASME Y14.5M

BSC: Basic Dimension. Theoretically exact value shown without tolerances.

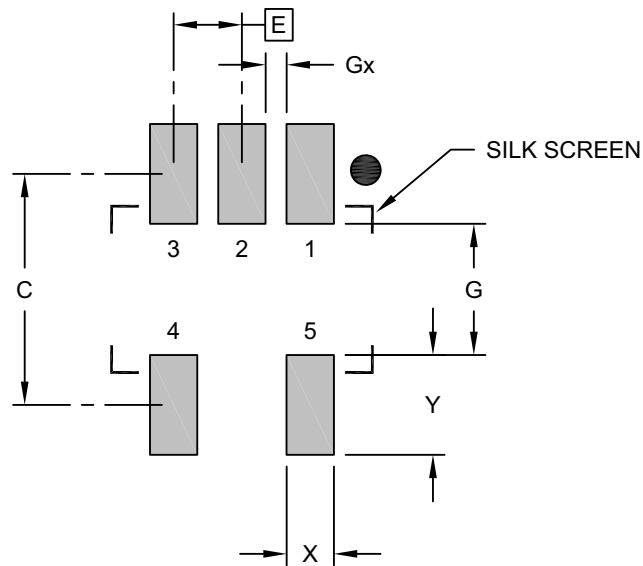
REF: Reference Dimension, usually without tolerance, for information purposes only.

Microchip Technology Drawing C04-061-LT Rev E Sheet 2 of 2

# 24AA01/24LC01B/24FC01

## 5-Lead Plastic Small Outline Transistor (LT) [SC70]

**Note:** For the most current package drawings, please see the Microchip Packaging Specification located at <http://www.microchip.com/packaging>



RECOMMENDED LAND PATTERN

Dimension Limits	Units	MILLIMETERS		
		MIN	NOM	MAX
Contact Pitch	E	0.65 BSC		
Contact Pad Spacing	C		2.20	
Contact Pad Width	X			0.45
Contact Pad Length	Y			0.95
Distance Between Pads	G	1.25		
Distance Between Pads	Gx	0.20		

**Notes:**

1. Dimensioning and tolerancing per ASME Y14.5M

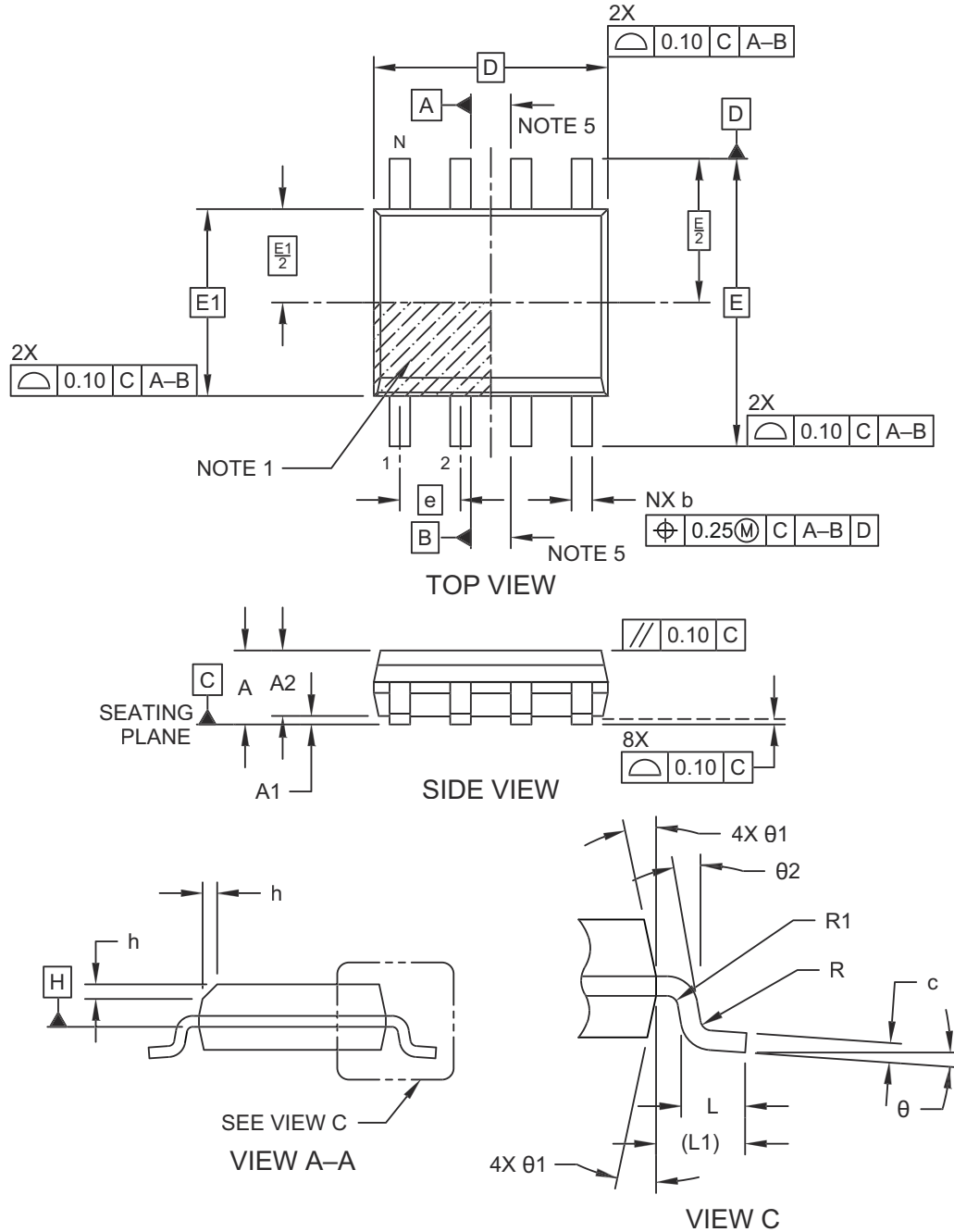
BSC: Basic Dimension. Theoretically exact value shown without tolerances.

Microchip Technology Drawing No. C04-2061-LT Rev E

# 24AA01/24LC01B/24FC01

## 8-Lead Plastic Small Outline (SN) - Narrow, 3.90 mm (.150 In.) Body [SOIC]

**Note:** For the most current package drawings, please see the Microchip Packaging Specification located at <http://www.microchip.com/packaging>

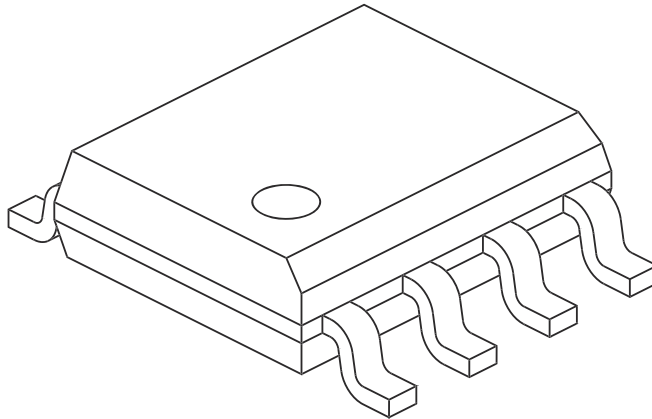


Microchip Technology Drawing No. C04-00057-SN Rev L Sheet 1 of 2

# 24AA01/24LC01B/24FC01

## 8-Lead Plastic Small Outline (SN) - Narrow, 3.90 mm (.150 In.) Body [SOIC]

**Note:** For the most current package drawings, please see the Microchip Packaging Specification located at <http://www.microchip.com/packaging>



Dimension	Units	MILLIMETERS		
		MIN	NOM	MAX
Number of Pins	N	8		
Pitch	e	1.27 BSC		
Overall Height	A	–	–	1.75
Molded Package Thickness	A2	1.25	–	–
Standoff §	A1	0.10	–	0.25
Overall Width	E	6.00 BSC		
Molded Package Width	E1	3.90 BSC		
Overall Length	D	4.90 BSC		
Chamfer (Optional)	h	0.25	–	0.50
Foot Length	L	0.40	–	1.27
Footprint	L1	1.04 REF		
Lead Thickness	c	0.17	–	0.25
Lead Width	b	0.31	–	0.51
Lead Bend Radius	R	0.07	–	–
Lead Bend Radius	R1	0.07	–	–
Foot Angle	θ	0°	–	8°
Mold Draft Angle	θ1	5°	–	15°
Lead Angle	θ2	0°	–	–

**Notes:**

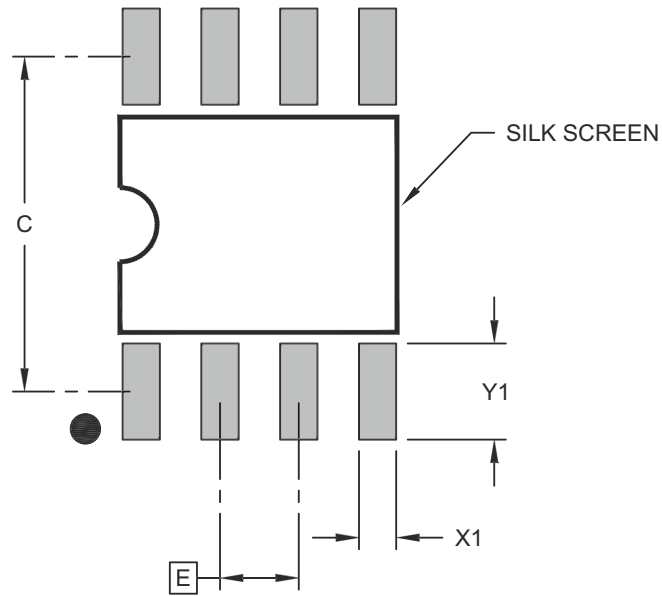
1. The Pin 1 visual index feature may vary, but it must be located within the hatched area.
2. § Significant Characteristic
3. Dimensions D and E1 do not include mold flash or protrusions. Mold flash or protrusions shall not exceed 0.15mm per side.
4. Dimensioning and tolerancing per ASME Y14.5M  
BSC: Basic Dimension. Theoretically exact value shown without tolerances.  
REF: Reference Dimension, usually without tolerance, for information purposes only.
5. Datums A & B to be determined at Datum H.

Microchip Technology Drawing No. C04-00057-SN Rev L Sheet 2 of 2

# 24AA01/24LC01B/24FC01

## 8-Lead Plastic Small Outline (SN) - Narrow, 3.90 mm (.150 In.) Body [SOIC]

**Note:** For the most current package drawings, please see the Microchip Packaging Specification located at <http://www.microchip.com/packaging>



RECOMMENDED LAND PATTERN

Dimension Limits	Units	MILLIMETERS		
		MIN	NOM	MAX
Contact Pitch	E	1.27 BSC		
Contact Pad Spacing	C		5.40	
Contact Pad Width (X8)	X1			0.60
Contact Pad Length (X8)	Y1			1.55

Notes:

1. Dimensioning and tolerancing per ASME Y14.5M

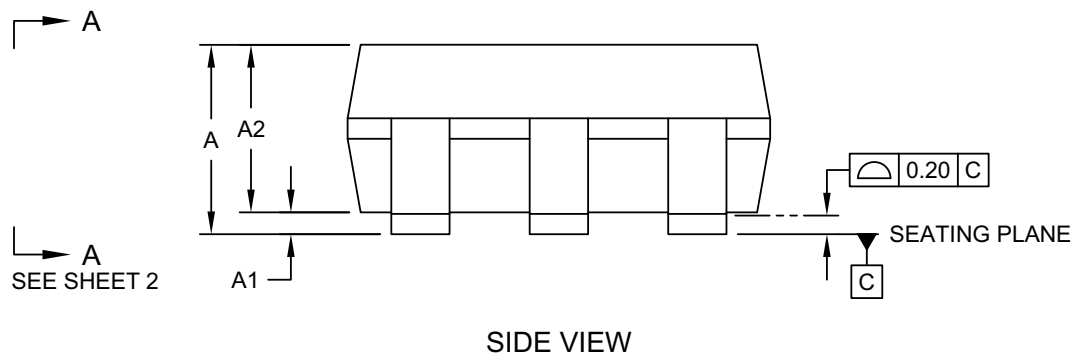
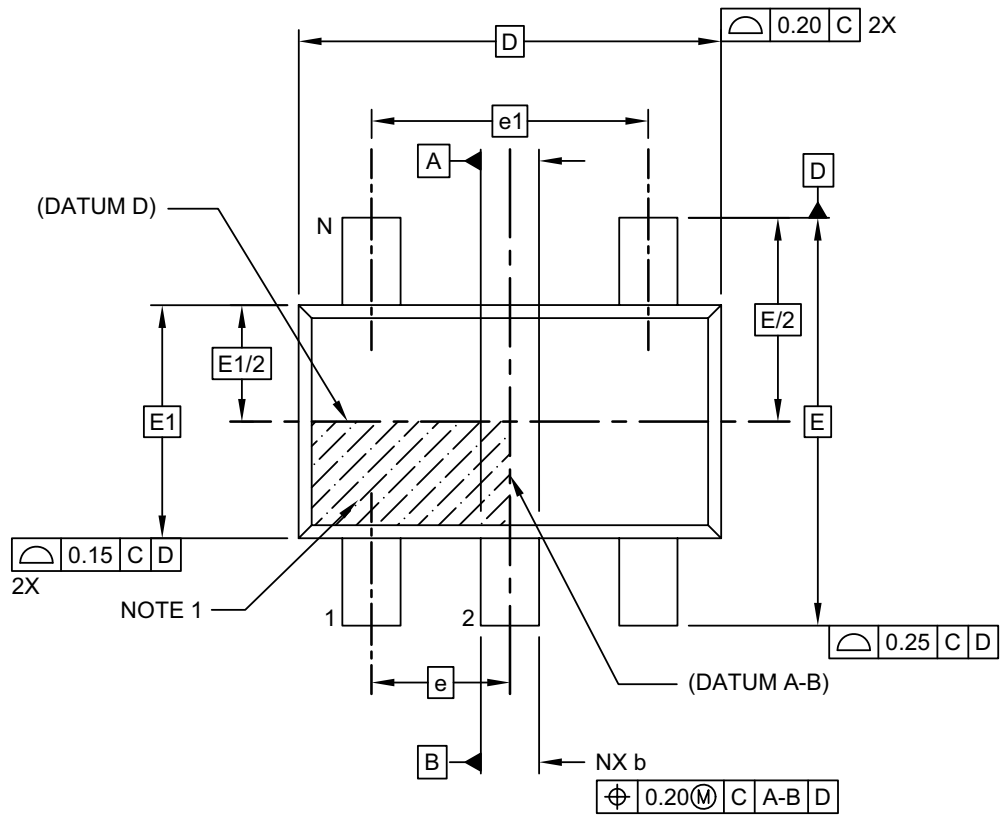
BSC: Basic Dimension. Theoretically exact value shown without tolerances.

Microchip Technology Drawing C04-02057-SN Rev L

# 24AA01/24LC01B/24FC01

## 5-Lead Plastic Small Outline Transistor (OT) [SOT-23]

**Note:** For the most current package drawings, please see the Microchip Packaging Specification located at <http://www.microchip.com/packaging>

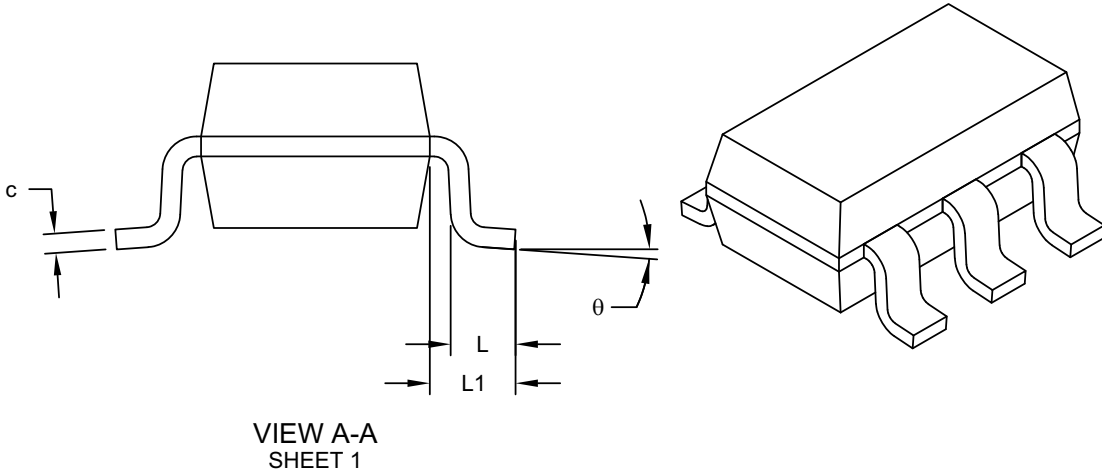


Microchip Technology Drawing C04-091-OT Rev H Sheet 1 of 2

# 24AA01/24LC01B/24FC01

## 5-Lead Plastic Small Outline Transistor (OT) [SOT-23]

**Note:** For the most current package drawings, please see the Microchip Packaging Specification located at <http://www.microchip.com/packaging>



Dimension Limits	Units	MILLIMETERS		
		MIN	NOM	MAX
Number of Pins	N	5		
Pitch	e	0.95 BSC		
Outside lead pitch	e1	1.90 BSC		
Overall Height	A	0.90	-	1.45
Molded Package Thickness	A2	0.89	-	1.30
Standoff	A1	-	-	0.15
Overall Width	E	2.80 BSC		
Molded Package Width	E1	1.60 BSC		
Overall Length	D	2.90 BSC		
Foot Length	L	0.30	-	0.60
Footprint	L1	0.60 REF		
Foot Angle	θ	0°	-	10°
Lead Thickness	c	0.08	-	0.26
Lead Width	b	0.20	-	0.51

**Notes:**

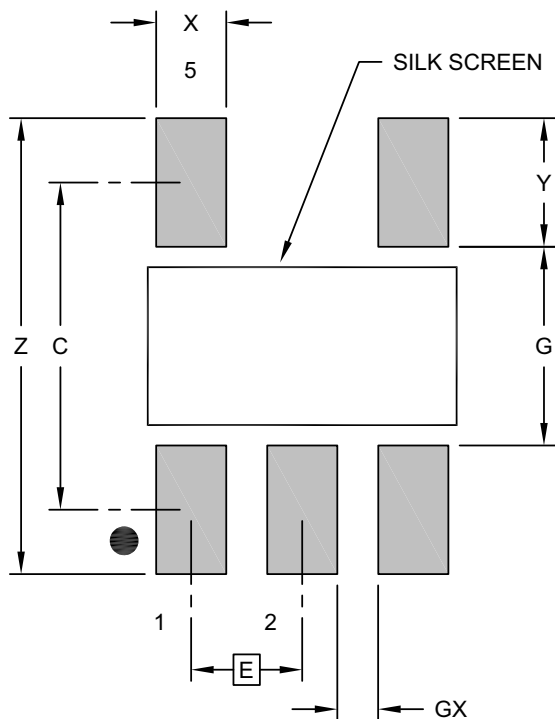
- Dimensions D and E1 do not include mold flash or protrusions. Mold flash or protrusions shall not exceed 0.25mm per side.
- Dimensioning and tolerancing per ASME Y14.5M  
BSC: Basic Dimension. Theoretically exact value shown without tolerances.  
REF: Reference Dimension, usually without tolerance, for information purposes only.

Microchip Technology Drawing C04-091-OT Rev H Sheet 2 of 2

# 24AA01/24LC01B/24FC01

## 5-Lead Plastic Small Outline Transistor (OT) [SOT-23]

**Note:** For the most current package drawings, please see the Microchip Packaging Specification located at <http://www.microchip.com/packaging>



RECOMMENDED LAND PATTERN

Dimension Limits	Units	MILLIMETERS		
		MIN	NOM	MAX
Contact Pitch	E	0.95 BSC		
Contact Pad Spacing	C		2.80	
Contact Pad Width (X5)	X			0.60
Contact Pad Length (X5)	Y			1.10
Distance Between Pads	G	1.70		
Distance Between Pads	GX	0.35		
Overall Width	Z			3.90

**Notes:**

1. Dimensioning and tolerancing per ASME Y14.5M

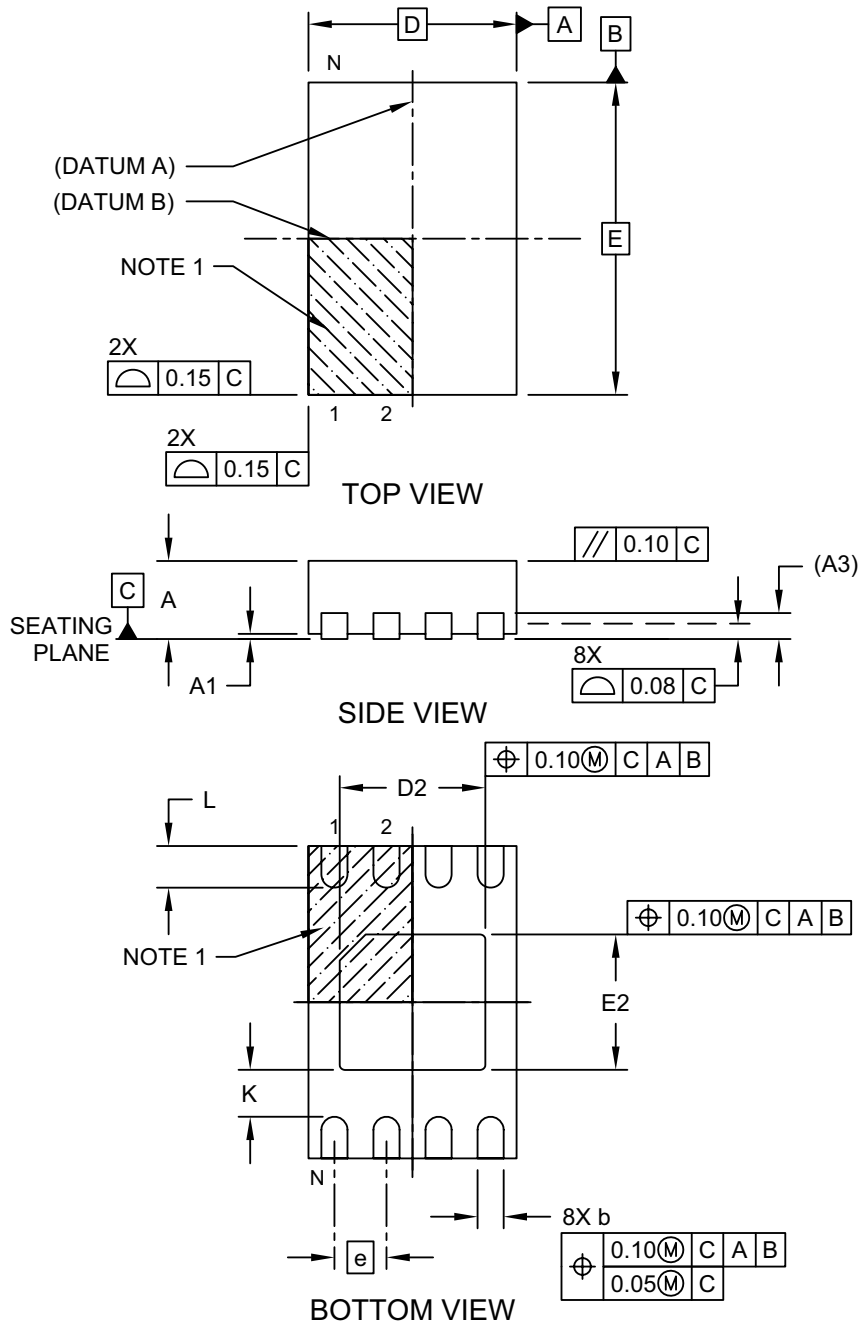
BSC: Basic Dimension. Theoretically exact value shown without tolerances.

Microchip Technology Drawing No. C04-2091-OT Rev H

# 24AA01/24LC01B/24FC01

## 8-Lead Plastic Dual Flat, No Lead Package (MNY) – 2x3x0.8 mm Body [TDFN] With 1.4x1.3 mm Exposed Pad (JEDEC Package type WDFN)

**Note:** For the most current package drawings, please see the Microchip Packaging Specification located at <http://www.microchip.com/packaging>

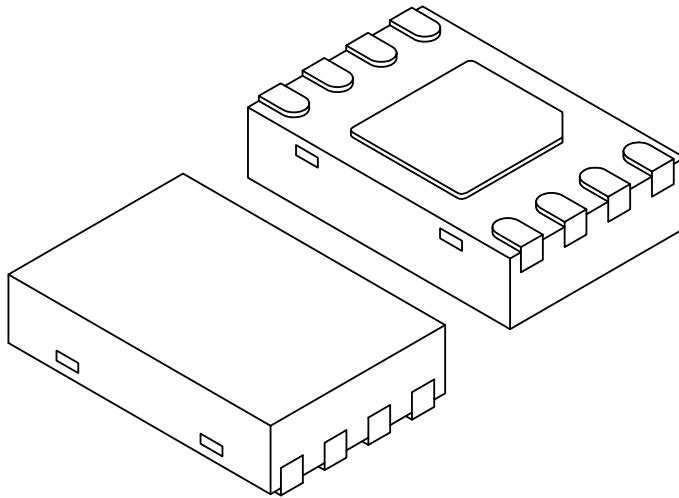


Microchip Technology Drawing No. C04-129-MNY Rev E Sheet 1 of 2

# 24AA01/24LC01B/24FC01

## 8-Lead Plastic Dual Flat, No Lead Package (MNY) – 2x3x0.8 mm Body [TDFN] With 1.4x1.3 mm Exposed Pad (JEDEC Package type WDFN)

**Note:** For the most current package drawings, please see the Microchip Packaging Specification located at <http://www.microchip.com/packageing>



Units		MILLIMETERS		
Dimension Limits		MIN	NOM	MAX
Number of Pins	N	8		
Pitch	e	0.50 BSC		
Overall Height	A	0.70	0.75	0.80
Standoff	A1	0.00	0.02	0.05
Contact Thickness	A3	0.20 REF		
Overall Length	D	2.00 BSC		
Overall Width	E	3.00 BSC		
Exposed Pad Length	D2	1.35	1.40	1.45
Exposed Pad Width	E2	1.25	1.30	1.35
Contact Width	b	0.20	0.25	0.30
Contact Length	L	0.25	0.30	0.45
Contact-to-Exposed Pad	K	0.20	-	-

### Notes:

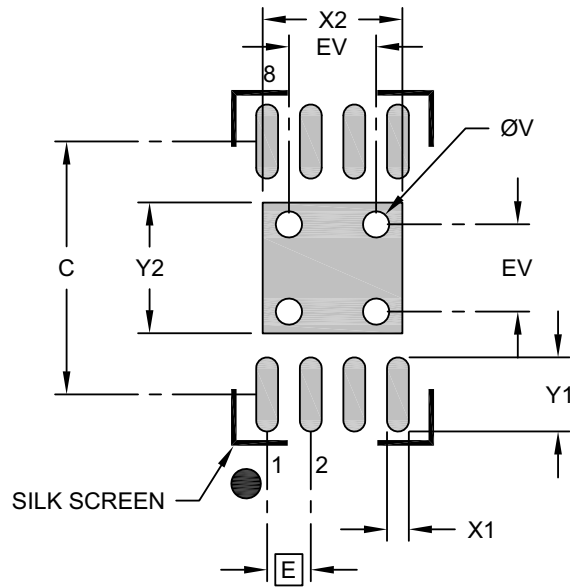
1. Pin 1 visual index feature may vary, but must be located within the hatched area.
2. Package may have one or more exposed tie bars at ends.
3. Package is saw singulated
4. Dimensioning and tolerancing per ASME Y14.5M
  - BSC: Basic Dimension. Theoretically exact value shown without tolerances.
  - REF: Reference Dimension, usually without tolerance, for information purposes only.

Microchip Technology Drawing No. C04-129-MNY Rev E Sheet 2 of 2

# 24AA01/24LC01B/24FC01

## 8-Lead Plastic Dual Flat, No Lead Package (MNY) – 2x3x0.8 mm Body [TDFN] With 1.4x1.3 mm Exposed Pad (JEDEC Package type WDFN)

**Note:** For the most current package drawings, please see the Microchip Packaging Specification located at <http://www.microchip.com/packaging>



RECOMMENDED LAND PATTERN

Dimension Limits	Units	MILLIMETERS		
		MIN	NOM	MAX
Contact Pitch	E	0.50 BSC		
Optional Center Pad Width	X2			1.60
Optional Center Pad Length	Y2			1.50
Contact Pad Spacing	C	2.90		
Contact Pad Width (X8)	X1			0.25
Contact Pad Length (X8)	Y1			0.85
Thermal Via Diameter	V	0.30		
Thermal Via Pitch	EV	1.00		

**Notes:**

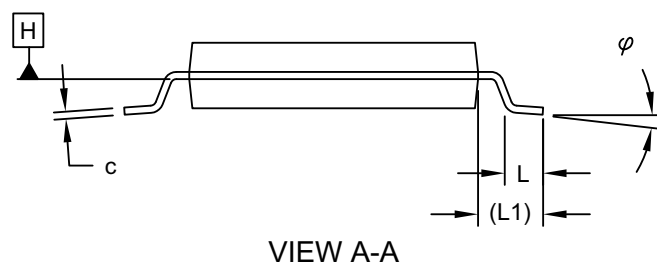
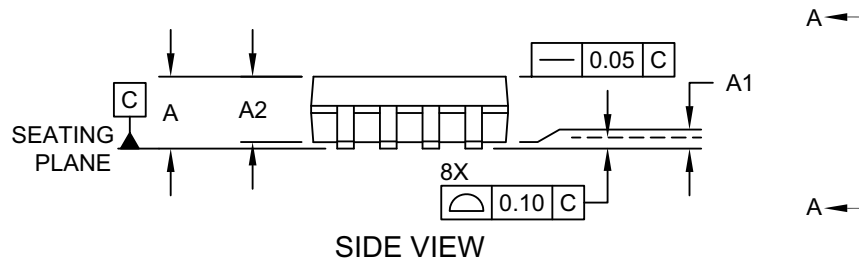
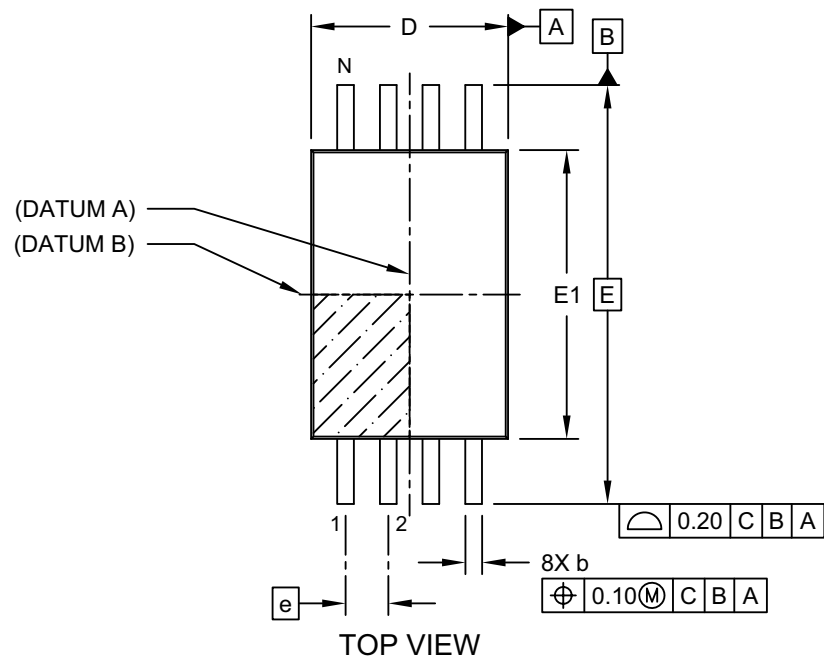
- Dimensioning and tolerancing per ASME Y14.5M  
BSC: Basic Dimension. Theoretically exact value shown without tolerances.
- For best soldering results, thermal vias, if used, should be filled or tented to avoid solder loss during reflow process

Microchip Technology Drawing No. C04-129-MNY Rev. B

# 24AA01/24LC01B/24FC01

## 8-Lead Plastic Thin Shrink Small Outline (ST) - 4.4 mm Body [TSSOP]

**Note:** For the most current package drawings, please see the Microchip Packaging Specification located at <http://www.microchip.com/packaging>

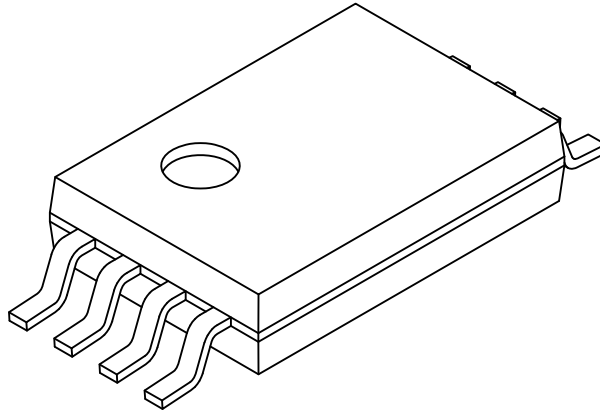


Microchip Technology Drawing C04-086 Rev C Sheet 1 of 2

# 24AA01/24LC01B/24FC01

## 8-Lead Plastic Thin Shrink Small Outline (ST) - 4.4 mm Body [TSSOP]

**Note:** For the most current package drawings, please see the Microchip Packaging Specification located at <http://www.microchip.com/packaging>



Dimension Limits	Units	MILLIMETERS		
		MIN	NOM	MAX
Number of Pins	N	8		
Pitch	e	0.65 BSC		
Overall Height	A	-	-	1.20
Molded Package Thickness	A2	0.80	1.00	1.05
Standoff	A1	0.05	-	-
Overall Width	E	6.40 BSC		
Molded Package Width	E1	4.30	4.40	4.50
Overall Length	D	2.90	3.00	3.10
Foot Length	L	0.45	0.60	0.75
Footprint	L1	1.00 REF		
Lead Thickness	c	0.09	-	0.25
Foot Angle	$\phi$	0°	4°	8°
Lead Width	b	0.19	-	0.30

### Notes:

1. Pin 1 visual index feature may vary, but must be located within the hatched area.
2. Dimensions D and E1 do not include mold flash or protrusions. Mold flash or protrusions shall not exceed 0.20mm per side.
3. Dimensioning and tolerancing per ASME Y14.5M

BSC: Basic Dimension. Theoretically exact value shown without tolerances.

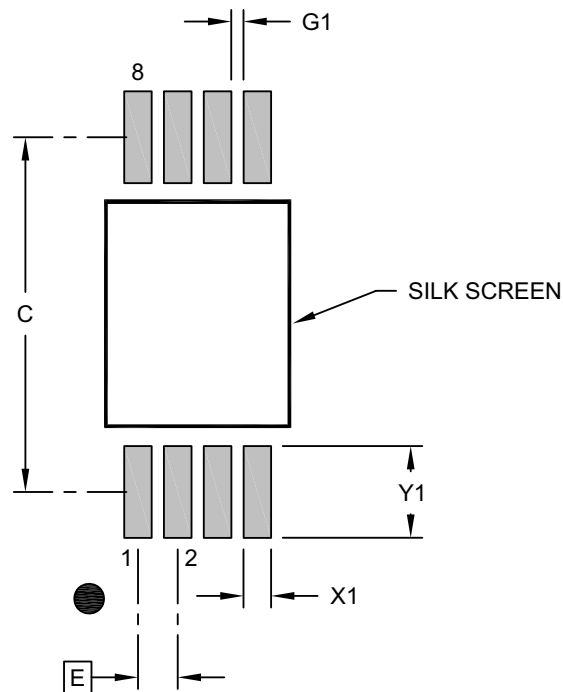
REF: Reference Dimension, usually without tolerance, for information purposes only.

Microchip Technology Drawing C04-086 Rev C Sheet 2 of 2

# 24AA01/24LC01B/24FC01

## 8-Lead Plastic Thin Shrink Small Outline (ST) - 4.4 mm Body [TSSOP]

**Note:** For the most current package drawings, please see the Microchip Packaging Specification located at <http://www.microchip.com/packaging>



RECOMMENDED LAND PATTERN

Dimension Limits	Units	MILLIMETERS		
		MIN	NOM	MAX
Contact Pitch	E		0.65 BSC	
Contact Pad Spacing	C		5.80	
Contact Pad Width (X8)	X1			0.45
Contact Pad Length (X8)	Y1			1.50
Contact Pad to Center Pad (X6)	G1	0.20		

**Notes:**

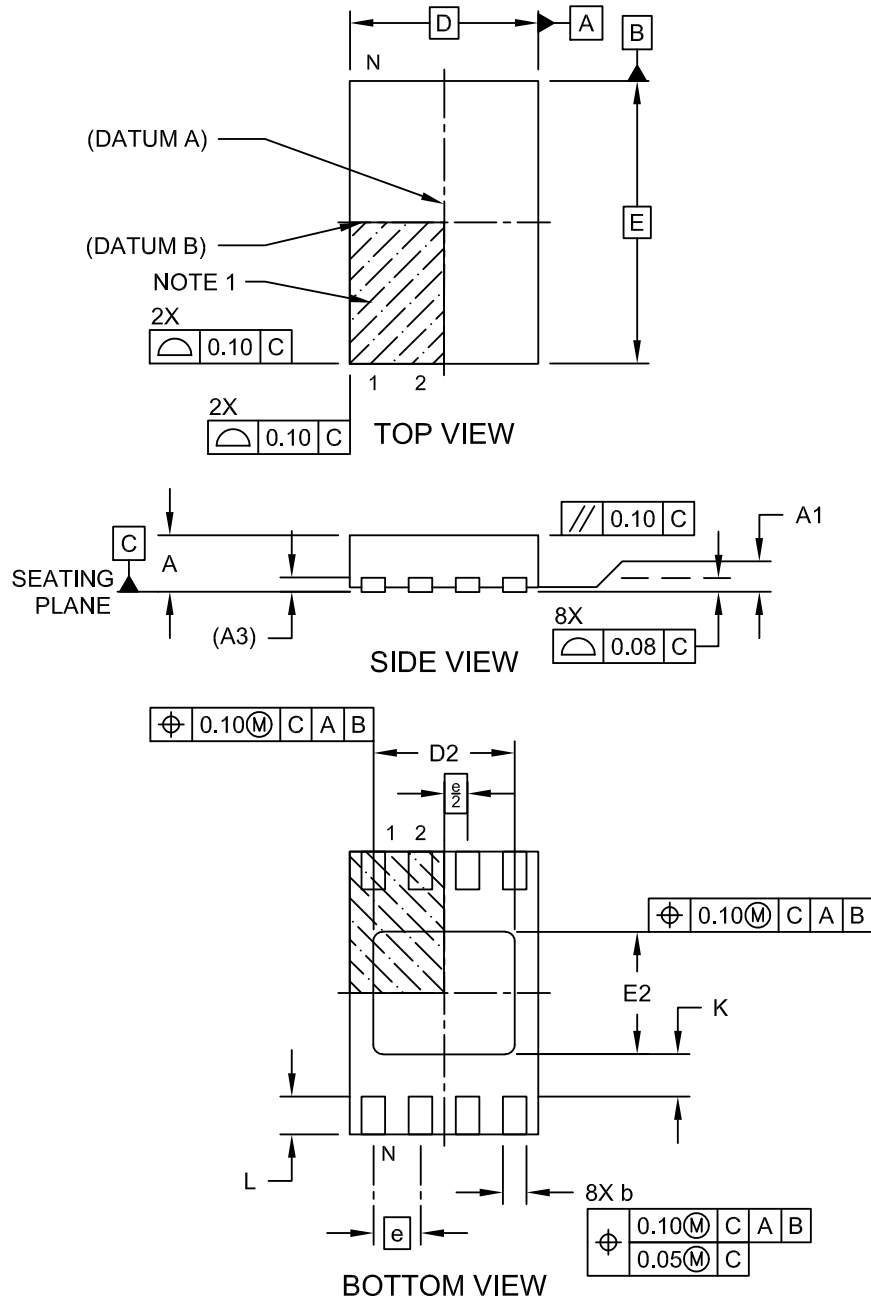
- Dimensioning and tolerancing per ASME Y14.5M  
BSC: Basic Dimension. Theoretically exact value shown without tolerances.
- For best soldering results, thermal vias, if used, should be filled or tented to avoid solder loss during reflow process

Microchip Technology Drawing C04-2086 Rev B

# 24AA01/24LC01B/24FC01

## 8-Lead Ultra Thin Plastic Dual Flat, No Lead Package (Q4B) - 2x3 mm Body [UDFN] Atmel Legacy Global Package Code YNZ

**Note:** For the most current package drawings, please see the Microchip Packaging Specification located at <http://www.microchip.com/packaging>

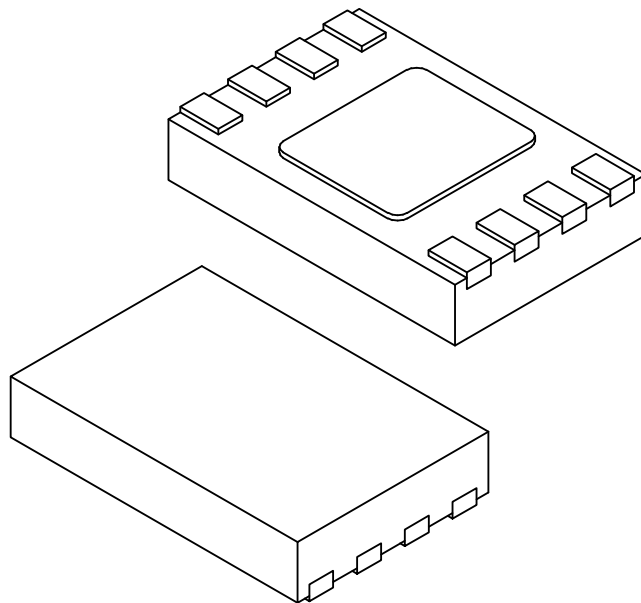


Microchip Technology Drawing C04-21355-Q4B Rev C Sheet 1 of 2

# 24AA01/24LC01B/24FC01

## 8-Lead Ultra Thin Plastic Dual Flat, No Lead Package (Q4B) - 2x3 mm Body [UDFN] Atmel Legacy Global Package Code YNZ

**Note:** For the most current package drawings, please see the Microchip Packaging Specification located at <http://www.microchip.com/packaging>



Dimension Limits	Units	MILLIMETERS		
		MIN	NOM	MAX
Number of Terminals	N	8		
Pitch	e	0.50 BSC		
Overall Height	A	0.50	0.55	0.60
Standoff	A1	0.00	0.02	0.05
Terminal Thickness	A3	0.152 REF		
Overall Length	D	2.00 BSC		
Exposed Pad Length	D2	1.40	1.50	1.60
Overall Width	E	3.00 BSC		
Exposed Pad Width	E2	1.20	1.30	1.40
Terminal Width	b	0.18	0.25	0.30
Terminal Length	L	0.25	0.35	0.45
Terminal-to-Exposed-Pad	K	0.20	-	-

**Notes:**

1. Pin 1 visual index feature may vary, but must be located within the hatched area.
2. Package is saw singulated
3. Dimensioning and tolerancing per ASME Y14.5M

BSC: Basic Dimension. Theoretically exact value shown without tolerances.

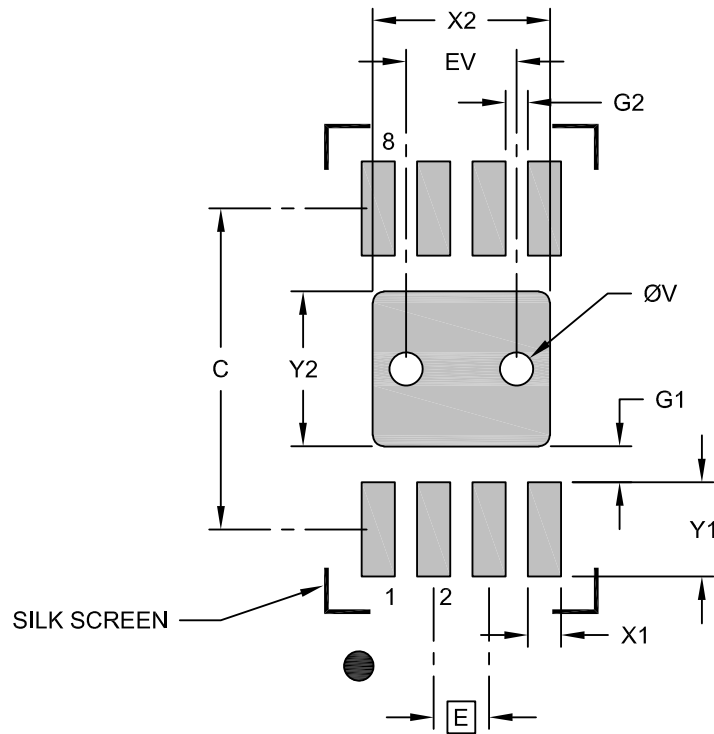
REF: Reference Dimension, usually without tolerance, for information purposes only.

Microchip Technology Drawing C04-21355-Q4B Rev C Sheet 2 of 2

# 24AA01/24LC01B/24FC01

## 8-Lead Ultra Thin Plastic Dual Flat, No Lead Package (Q4B) - 2x3 mm Body [UDFN] Atmel Legacy Global Package Code YNZ

**Note:** For the most current package drawings, please see the Microchip Packaging Specification located at <http://www.microchip.com/packaging>



RECOMMENDED LAND PATTERN

Dimension Limits	Units	MILLIMETERS		
		MIN	NOM	MAX
Contact Pitch	E	0.50 BSC		
Optional Center Pad Width	X2			1.60
Optional Center Pad Length	Y2			1.40
Contact Pad Spacing	C		2.90	
Contact Pad Width (X8)	X1			0.30
Contact Pad Length (X8)	Y1			0.85
Contact Pad to Center Pad (X8)	G1	0.33		
Contact Pad to Contact Pad (X6)	G2	0.20		
Thermal Via Diameter	V		0.30	
Thermal Via Pitch	EV		1.00	

**Notes:**

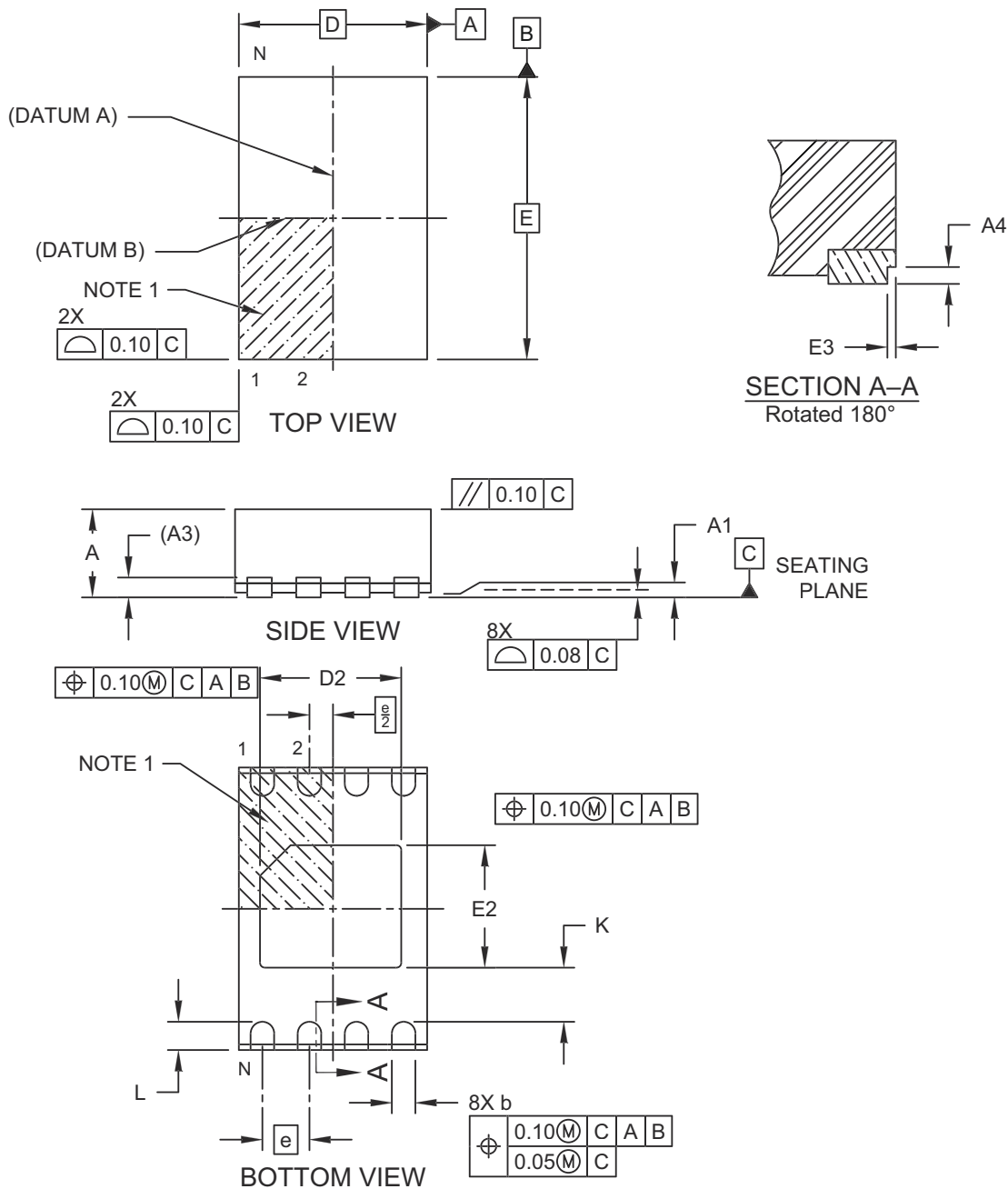
- Dimensioning and tolerancing per ASME Y14.5M  
BSC: Basic Dimension. Theoretically exact value shown without tolerances.
- For best soldering results, thermal vias, if used, should be filled or tented to avoid solder loss during reflow process

Microchip Technology Drawing C04-23355-Q4B Rev C

# 24AA01/24LC01B/24FC01

## 8-Lead Very Thin Plastic Dual Flat, No Lead Package (Q6B) - 2x3x1.0 mm Body [VDFN] 1.5x1.3 mm Exposed Pad Wettable Step Cut Flanks

**Note:** For the most current package drawings, please see the Microchip Packaging Specification located at <http://www.microchip.com/packaging>

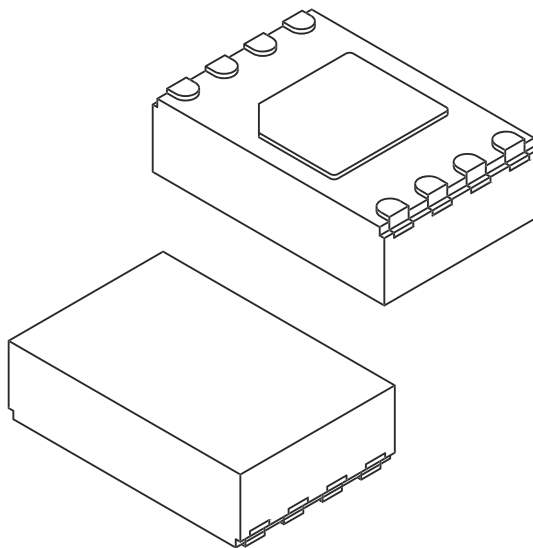


Microchip Technology Drawing C04-00598 Rev E Sheet 1 of 2

# 24AA01/24LC01B/24FC01

## 8-Lead Very Thin Plastic Dual Flat, No Lead Package (Q6B) - 2x3x1.0 mm Body [VDFN] 1.5x1.3 mm Exposed Pad Wettable Step Cut Flanks

**Note:** For the most current package drawings, please see the Microchip Packaging Specification located at <http://www.microchip.com/packaging>



Units		MILLIMETERS		
Dimension Limits		MIN	NOM	MAX
Number of Terminals	N	008		
Pitch	e	0.50 BSC		
Overall Height	A	0.80	0.90	1.00
Standoff	A1	0.00	0.02	0.05
Terminal Thickness	A3	0.203 REF		
Overall Length	D	2.00 BSC		
Exposed Pad Length	D2	1.40	1.50	1.60
Overall Width	E	3.00 BSC		
Exposed Pad Width	E2	1.20	1.30	1.40
Terminal Width	b	0.20	0.25	0.30
Terminal Length	L	0.25	0.35	0.45
Terminal-to-Exposed-Pad	K	0.20	–	–
Wettable Flank Step Cut Width	E3	0.035	0.06	0.085
Wettable Flank Step Cut Depth	A4	0.100	–	0.190

**Notes:**

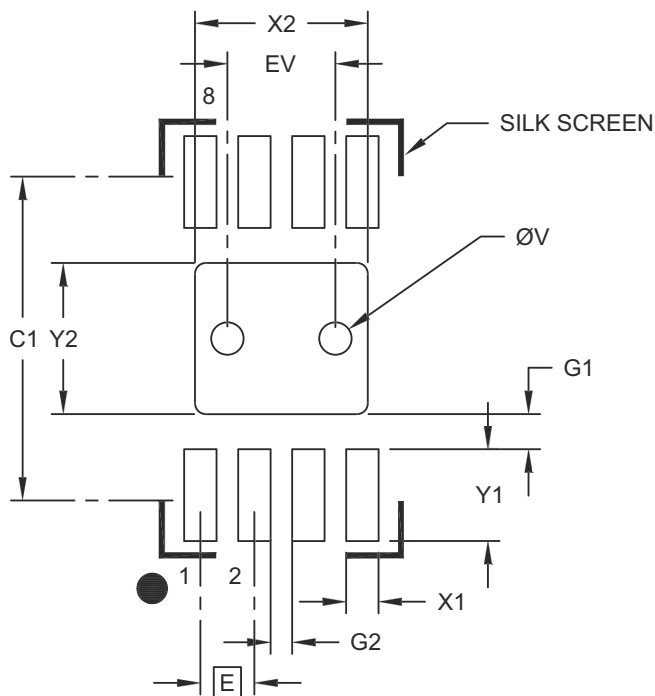
1. Pin 1 visual index feature may vary, but must be located within the hatched area.
2. Package is saw singulated
3. Dimensioning and tolerancing per ASME Y14.5M  
BSC: Basic Dimension. Theoretically exact value shown without tolerances.  
REF: Reference Dimension, usually without tolerance, for information purposes only.

Microchip Technology Drawing C04-00598 Rev E Sheet 2 of 2

# 24AA01/24LC01B/24FC01

## 8-Lead Very Thin Plastic Dual Flat, No Lead Package (Q6B) - 2x3x1.0 mm Body [VDFN] 1.5x1.3 mm Exposed Pad Wettable Step Cut Flanks

**Note:** For the most current package drawings, please see the Microchip Packaging Specification located at <http://www.microchip.com/packaging>



RECOMMENDED LAND PATTERN

Dimension Limits	Units	MILLIMETERS		
		MIN	NOM	MAX
Contact Pitch	E		0.50 BSC	
Center Pad Width	X2			1.60
Center Pad Length	Y2			1.40
Contact Pad Spacing	C1		2.90	
Contact Pad Width (X8)	X1			0.30
Contact Pad Length (X8)	Y1			0.85
Contact Pad to Center Pad (X8)	G1	0.33		
Contact Pad to Contact Pad (X6)	G2	0.20		
Thermal Via Diameter	V		0.30	
Thermal Via Pitch	EV		1.00	

Notes:

- Dimensioning and tolerancing per ASME Y14.5M  
BSC: Basic Dimension. Theoretically exact value shown without tolerances.
- For best soldering results, thermal vias, if used, should be filled or tented to avoid solder loss during reflow process

Microchip Technology Drawing C04-02598 Rev E

## APPENDIX A: REVISION HISTORY

### Revision C

Corrections to Section 1.0, Electrical Characteristics and Section 9.1, 24LC01B standard marking code.

### Revision P (10/2025)

Added Q6B package outline drawing; Minor editorial updates throughout the document.

### Revision N (08/2021)

Added 24FC01 and Q6B package Automotive product offerings; Updated DFN and SOT-23 package drawings.

### Revision M (02/2021)

Replaced terminology “Master” and “Slave” with “Host” and “Client” respectively; Changed “MUY” with “Q4B” part number for UDFN package; Updated SC-70, TSSOP and UDFN package drawings; Added Automotive Product Identification System.

### Revision L (05/2019)

Corrected Part Marking for UDFN package; Added note about exposed pad on the TDFN and UDFN packages.

### Revision K (11/2018)

Added the 24FC01 device.

### Revision J (01/2009)

Added TDFN Package; Updated Package Drawings.

### Revision H (08/2008)

Added SC-70 Package; Updated Package Drawings.

### Revision G (03/2007)

Replaced Package Drawings (Rev. AM).

### Revision F (01/2007)

Revised Device Selection Table; Revised Features Section; Changed 1.8V to 1.7V; Revised Table 1-1, 1-2, 8-1; Replaced Package Drawings; Revised Product ID System.

### Revision E

Revised Figure 3-2 Control Byte Allocation; Figure 4-1 Byte Write; Figure 4-2 Page Write; Section 6.0 Write Protection; Figure 7-1 Current Address Read; Figure 7-2 Random Read; Figure 7-3 Sequential Read.

### Revision D

Added DFN package.

# 24AA01/24LC01B/24FC01

## PRODUCT IDENTIFICATION SYSTEM (NON-AUTOMOTIVE)

To order or obtain information, e.g., on pricing or delivery, refer to the factory or the listed sales office.

<u>PART NO.</u>	<u>IXI</u> <sup>(1)</sup>	<u>-X</u>	<u>/XX</u>	
Device	Tape and Reel Option	Temperature Range	Package	
<b>Device:</b>	24AA01: = 1.7V, 1-Kbit I <sup>2</sup> C Serial EEPROM			
	24LC01B: = 2.5V, 1-Kbit I <sup>2</sup> C Serial EEPROM			
	24FC01: = 1.7V, High-Speed, 1-Kbit I <sup>2</sup> C Serial EEPROM			
<b>Tape and Reel Option:</b>	Blank = Standard packaging (tube or tray)			
	T = Tape and Reel <sup>(1)</sup>			
<b>Temperature Range:</b>	I = -40°C to +85°C (Industrial)			
	E = -40°C to +125°C (Extended)			
<b>Package:</b>	MC = Plastic Dual Flat, No Lead Package – 2x3x1.0 mm, Body, 8-Lead (DFN)			
	MS = Plastic Micro Small Outline Package, 8-Lead (MSOP)			
	P = Plastic Dual In-Line – 300 mil Body, 8-Lead (PDIP)			
	LT = Plastic Small Outline Transistor, 5-Lead (SC-70) (Tape and Reel only)			
	SN = Plastic Small Outline - Narrow, 3.90 mm Body, 8-Lead (SOIC)			
	OT = Plastic Small Outline Transistor, 5-Lead (SOT-23) (Tape and Reel only)			
	MNY = Plastic Dual Flat, No Lead Package - 2x3x0.8 mm Body, 8-Lead (TDFN)			
	ST = Plastic Thin Shrink Small Outline – 4.4 mm, 8-Lead (TSSOP)			
	Q4B = Ultra Thin Plastic Dual Flat, No Lead Package - 2x3x0.6 mm Body, 8-Lead (UDFN)			
				<b>Examples:</b> a) 24LC01BT-E/MC: Tape and Reel, Extended Temperature, 2.5V, DFN package. b) 24LC01BT-I/MS: Tape and Reel, Industrial Temperature, 2.5V, MSOP package. c) 24AA01-I/P: Industrial Temperature, 1.7V, PDIP package. d) 24LC01BT-I/LT: Tape and Reel, Industrial Temperature, 2.5V, SC-70 package. e) 24AA01-I/SN: Industrial Temperature, 1.7V, SOIC package. f) 24AA01T-I/OT: Tape and Reel, Industrial Temperature, 1.7V, SOT-23 package. g) 24AA01T-I/MNY: Tape and Reel, Industrial Temperature, 1.7V, TDFN package. h) 24AA01T-I/ST: Tape and Reel, Industrial Temperature, 1.7V, TSSOP package. i) 24FC01-I/P: Industrial Temperature, 1.7V, PDIP package. j) 24FC01T-I/Q4B: Tape and Reel, Industrial Temperature, 1.7V, UDFN package.
				<b>Note 1:</b> Tape and Reel identifier only appears in the catalog part number description. This identifier is used for ordering purposes and is not printed on the device package. Check with your Microchip Sales Office for package availability with the Tape and Reel option.

# 24AA01/24LC01B/24FC01

## PRODUCT IDENTIFICATION SYSTEM (AUTOMOTIVE)

To order or obtain information, e.g., on pricing or delivery, refer to the factory or the listed sales office.

<u>PART NO.</u>	<u>IXI</u> <sup>(1)</sup>	<u>X</u>	<u>IXX</u>	<u>XXX</u> <sup>(2,3)</sup>	
Device	Tape and Reel Option	Temperature Range	Package	Variant	
<p><b>Device:</b> 24AA01: = 1.7V, 1-Kbit I<sup>2</sup>C Serial EEPROM            24LC01B: = 2.5V, 1-Kbit I<sup>2</sup>C Serial EEPROM            24FC01: = 1.7V, High-Speed, 1-Kbit I<sup>2</sup>C Serial EEPROM</p> <p><b>Tape and Reel Option:</b> Blank = Standard packaging (tube or tray)            T = Tape and Reel<sup>(1)</sup></p> <p><b>Temperature Range:</b> I = -40°C to +85°C AEC-Q100 Grade 3            E = -40°C to +125°C AEC-Q100 Grade 1</p> <p><b>Package:</b> MS = Plastic Micro Small Outline Package, 8-Lead (MSOP)            OT = Plastic Small Outline Transistor, 5-Lead (SOT-23) (Tape and Reel Only)            SN = Plastic Small Outline – Narrow, 3.90 mm Body, 8-Lead (SOIC)            ST = Plastic Thin Shrink Small Outline – 4.4 mm, 8-Lead (TSSOP)            Q6B = Very Thin Plastic Dual Flat, No Lead Wettable Flanks Package - 2x3x1.0 mm Body, 8-Lead (VDFN)</p> <p><b>Variant<sup>(2,3)</sup>:</b> 15KVAO = Standard Automotive, 15K Process<sup>(4)</sup>            15KVXX = Customer-Specific Automotive, 15K Process<sup>(4)</sup>            16KVAO = Standard Automotive, 16K Process<sup>(4)</sup>            16KVXX = Customer-Specific Automotive, 16K Process<sup>(4)</sup>            36KVAO = Standard Automotive, 36K Process            36KVXX = Customer-Specific Automotive, 36K Process</p>					
					<p><b>Examples:</b></p> <p>a) 24AA01T-I/SN16KVAO: Tape and Reel, Automotive Grade 3, 1.7V, SOIC Package.            b) 24AA01T-I/OT16KVAO: Tape and Reel, Automotive Grade 3, 1.7V, SOT-23 Package.            c) 24LC01BT-E/SN16KVAO: Tape and Reel, Automotive Grade 1, 2.5V, SOIC Package.            d) 24LC01BT-E/OT16KVAO: Tape and Reel, Automotive Grade 1, 2.5V SOT-23 Package.            e) 2FC01T-E/SN36KVAO: Tape and Reel, Automotive Grade 1, 1.7V SOIC Package.            f) 24FC01T-E/ST36KVAO: Tape and Reel, Automotive Grade 1, 1.7V TSSOP Package.            g) 24FC01T-E/OT36KVAO: Tape and Reel, Automotive Grade 1, 1.7V SOT-23 Package.            h) 24FC01T-E/Q6B36KVAO: Tape and Reel, Automotive Grade 1, 1.7V VDFN Package.</p> <p><b>Note 1:</b> Tape and Reel identifier only appears in the catalog part number description. This identifier is used for ordering purposes and is not printed on the device package. Check with your Microchip Sales Office for package availability with the Tape and Reel option.</p> <p><b>2:</b> The VAO/VXX automotive variants have been designed, manufactured, tested and qualified in accordance with AEC-Q100 requirements for automotive applications.</p> <p><b>3:</b> For customers requesting a PPAP, a customer-specific part number will be generated and provided. A PPAP is not provided for VAO part numbers.</p> <p><b>4:</b> Not recommended for new designs.</p>

## MICROCHIP INFORMATION

### Trademarks

The “Microchip” name and logo, the “M” logo, and other names, logos, and brands are registered and unregistered trademarks of Microchip Technology Incorporated or its affiliates and/or subsidiaries in the United States and/or other countries (“Microchip Trademarks”). Information regarding Microchip Trademarks can be found at <https://www.microchip.com/en-us/about/legal-information/microchip-trademarks>.

ISBN: 979-8-3371-2176-5

### Legal Notice

This publication and the information herein may be used only with Microchip products, including to design, test, and integrate Microchip products with your application. Use of this information in any other manner violates these terms. Information regarding device applications is provided only for your convenience and may be superseded by updates. It is your responsibility to ensure that your application meets with your specifications. Contact your local Microchip sales office for additional support or, obtain additional support at [www.microchip.com/en-us/support/design-help/client-support-services](http://www.microchip.com/en-us/support/design-help/client-support-services).

THIS INFORMATION IS PROVIDED BY MICROCHIP "AS IS". MICROCHIP MAKES NO REPRESENTATIONS OR WARRANTIES OF ANY KIND WHETHER EXPRESS OR IMPLIED, WRITTEN OR ORAL, STATUTORY OR OTHERWISE, RELATED TO THE INFORMATION INCLUDING BUT NOT LIMITED TO ANY IMPLIED WARRANTIES OF NON-INFRINGEMENT, MERCHANTABILITY, AND FITNESS FOR A PARTICULAR PURPOSE, OR WARRANTIES RELATED TO ITS CONDITION, QUALITY, OR PERFORMANCE.

IN NO EVENT WILL MICROCHIP BE LIABLE FOR ANY INDIRECT, SPECIAL, PUNITIVE, INCIDENTAL, OR CONSEQUENTIAL LOSS, DAMAGE, COST, OR EXPENSE OF ANY KIND WHATSOEVER RELATED TO THE INFORMATION OR ITS USE, HOWEVER CAUSED, EVEN IF MICROCHIP HAS BEEN ADVISED OF THE POSSIBILITY OR THE DAMAGES ARE FORESEEABLE. TO THE FULLEST EXTENT ALLOWED BY LAW, MICROCHIP'S TOTAL LIABILITY ON ALL CLAIMS IN ANY WAY RELATED TO THE INFORMATION OR ITS USE WILL NOT EXCEED THE AMOUNT OF FEES, IF ANY, THAT YOU HAVE PAID DIRECTLY TO MICROCHIP FOR THE INFORMATION.

Use of Microchip devices in life support and/or safety applications is entirely at the buyer's risk, and the buyer agrees to defend, indemnify and hold harmless Microchip from any and all damages, claims, suits, or expenses resulting from such use. No licenses are conveyed, implicitly or otherwise, under any Microchip intellectual property rights unless otherwise stated.

### Microchip Devices Code Protection Feature

Note the following details of the code protection feature on Microchip products:

- Microchip products meet the specifications contained in their particular Microchip Data Sheet.
- Microchip believes that its family of products is secure when used in the intended manner, within operating specifications, and under normal conditions.
- Microchip values and aggressively protects its intellectual property rights. Attempts to breach the code protection features of Microchip product is strictly prohibited and may violate the Digital Millennium Copyright Act.
- Neither Microchip nor any other semiconductor manufacturer can guarantee the security of its code. Code protection does not mean that we are guaranteeing the product is “unbreakable”. Code protection is constantly evolving. Microchip is committed to continuously improving the code protection features of our products.