

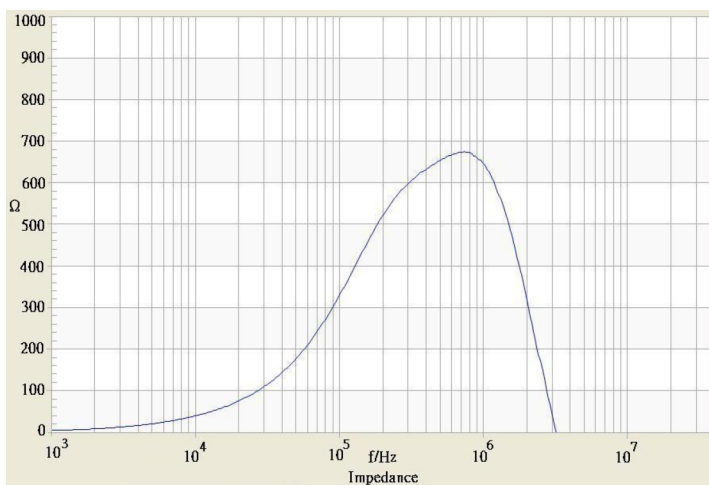
## Common Mode Choke

TCK-048

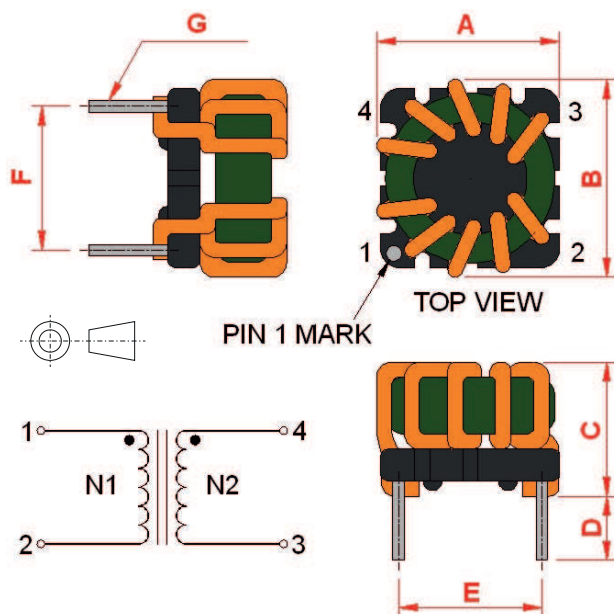
<b>Order Code</b>	<b>TCK-048</b>
<b>Inductance</b> (each winding)	450 $\mu$ H $\pm$ 35% (at 100 kHz / 100 mV)
<b>Impedance</b> (DCR)	25 m $\Omega$ max.
<b>Rated Current</b>	5.2 A max.
<b>Rated Voltage</b>	500 VDC max. (between windings)
<b>Operating Temperature</b>	-40°C to +125°C
<b>RoHS Exemptions</b>	No Exemptions
<b>Overview Link</b>	<a href="http://www.tracopower.com/overview/tck-048">www.tracopower.com/overview/tck-048</a>



### Impedance Curve



### Outline Dimensions



Dimensions [mm]	
A	11.5 max.
B	11.5 max.
C	9.8 max.
D	2.5 min.
E	7.62 $\pm$ 0.2
F	7.62 $\pm$ 0.2
G	$\varnothing$ 0.6 $\pm$ 0.1

All specifications valid at +25°C, unless otherwise stated.