

# CABLIN<sup>®</sup>-UA II

0.3mm Pitch

Right Angle Stacking Type



- This is super small vertical mating type connector for small hinge assembly after cable termination
- Mating Height : 1.27mm
- Applicable Cable Size : Micro Coax  
AWG#46, AWG#44, AWG#42(Small diameter)
- W-Point Contact with High mating reliability
- Stable grounding characteristic by multi point ground structure
- Soldering connection

## 【Number of Position】

26p, 32p, 40p, 50p

## 【Ordering Code】

PLUG Connector Set (for Cable)

Parts Ordering (HOUSING)

**20497- 0 \*\* T - 30**  
① ②

Parts Ordering (Metal Cover)

**2679-0 \*\* - \*\***  
① ③

RECEPTACLE Connector Set  
(for PC Board)

**20498- 0 \*\* E - \* \***  
① ② ③ ④

## 【Applicable Cable Size】

|            |  |
|------------|--|
| Micro Coax | AWG #42 (Small Diameter)<br>AWG #44, #46 |
|------------|--|

|   |                    |   |      |
|---|--------------------|---|------|
| ① | POS.               | 26: 26pos 32: 32pos 40: 40pos 50: 50pos |      |
| ② | Packaging          | T                                       | Tray |
| ③ | METAL COVER Finish | 00                                      | Au   |
|   |                    | 10                                      | Sn   |

|   |               |   |             |
|---|---------------|---|-------------|
| ① | POS.          | 26: 26pos 32: 32pos 40: 40pos 50: 50pos |             |
| ② | Packaging     | E                                       | Emboss Tape |
| ③ | SHELL Plating | 3                                       | Au          |
|   |               | 4                                       | Sn          |
| ④ | VACUUM CLIP   | 0                                       | Without     |
|   |               | 1                                       | With        |

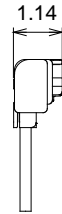
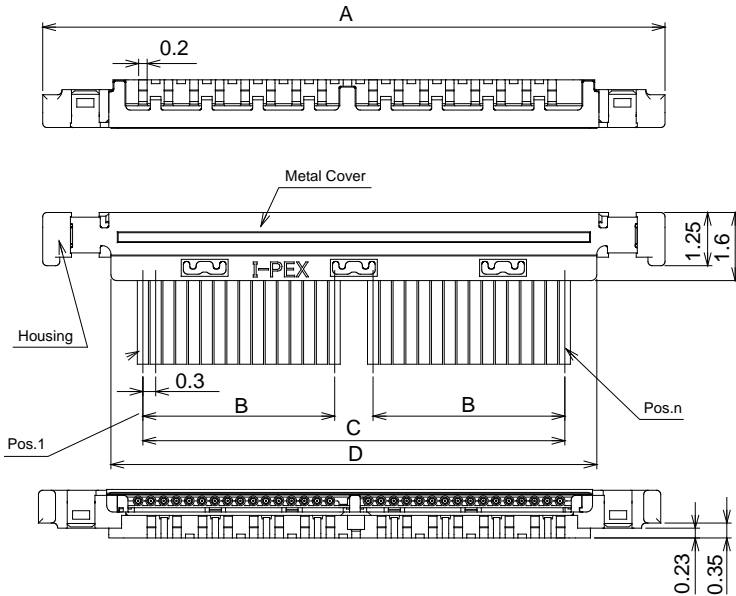
## 【Recommended P/N】

| POS. | HOUSING       | Metal Cover | PLUG Connector Set | RECEPTACLE    |
|------|---------------|-------------|--------------------|---------------|
| 26   | 20497-026T-30 | 2679-026-10 | 20496-026-40       | 20498-026E-41 |
| 32   | 20497-032T-30 | 2679-032-10 | 20496-032-40       | 20498-032E-41 |
| 40   | 20497-040T-30 | 2679-040-10 | 20496-040-40       | 20498-040E-41 |
| 50   | 20497-050T-30 | 2679-050-10 | 20496-050-40       | 20498-050E-41 |

**PLUG**

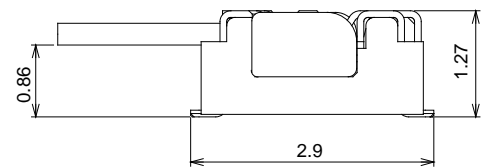
Set P/N: 20496-0\*\*-\*\*

| POS. | A    | B   | C    | D    |
|------|------|-----|------|------|
| 26p  | 12.8 | 3.6 | 8.1  | 9.6  |
| 32p  | 14.6 | 4.5 | 9.9  | 11.4 |
| 40p  | 17.0 | 5.7 | 12.3 | 13.8 |
| 50p  | 20.0 | 7.2 | 15.3 | 16.8 |



Material / Finish

|             |                 |          |
|-------------|-----------------|----------|
| HOUSING     | LCP UL94V-0     | BLACK    |
| CONTACT     | COPPER ALLOY    | Au       |
| SHELL       | COPPER ALLOY    | Au or Ni |
| METAL COVER | STAINLESS STEEL | Au or Sn |



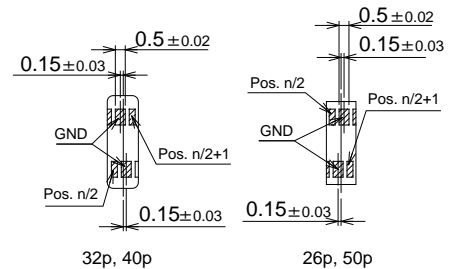
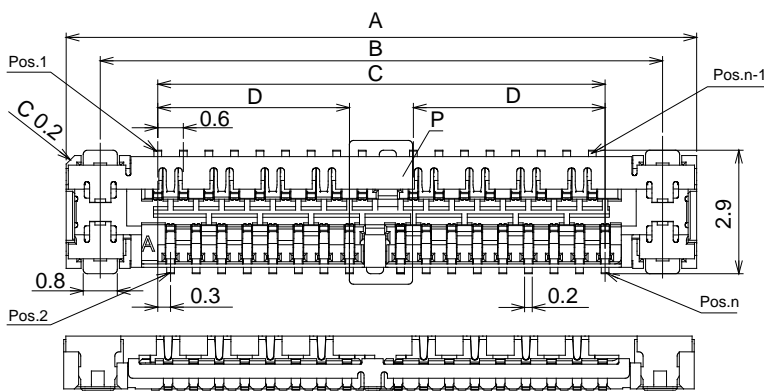
MATED VIEW

**RECEPTACLE**

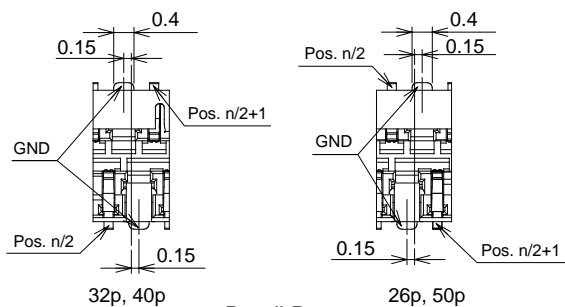
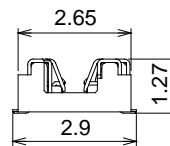
| POS. | Part NO.         | A    | B    | C    | D   |
|------|------------------|------|------|------|-----|
| 26p  | 20498-026E-**-** | 12.4 | 10.8 | 8.1  | 3.6 |
| 32p  | 20498-032E-**-** | 14.2 | 12.6 | 9.9  | 4.5 |
| 40p  | 20498-040E-**-** | 16.6 | 15.0 | 12.3 | 5.7 |
| 50p  | 20498-050E-**-** | 19.6 | 18.0 | 15.3 | 7.2 |

Material / Finish

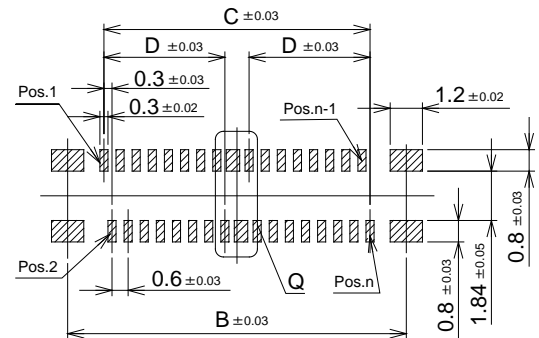
|         |              |          |
|---------|--------------|----------|
| HOUSING | LCP UL94V-0  | BLACK    |
| CONTACT | COPPER ALLOY | Au       |
| SHELL   | COPPER ALLOY | Au or Sn |



Detail.Q



Detail.P



RECOMMENDED FOOTPRINT PATTERN