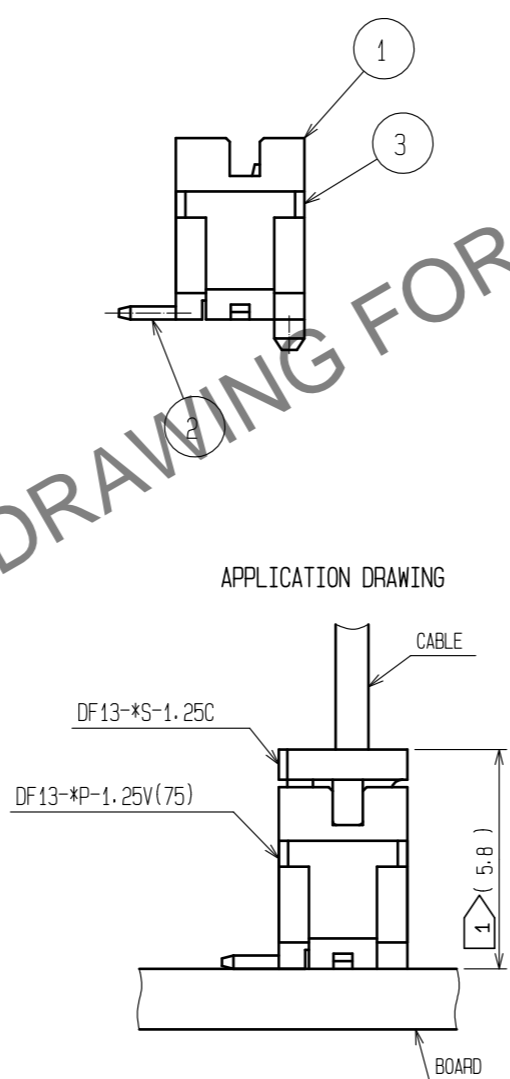
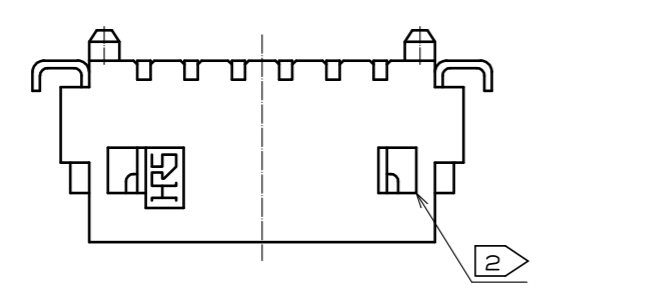
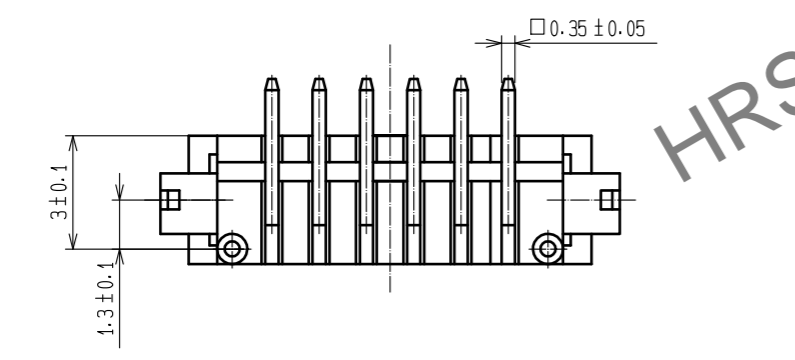
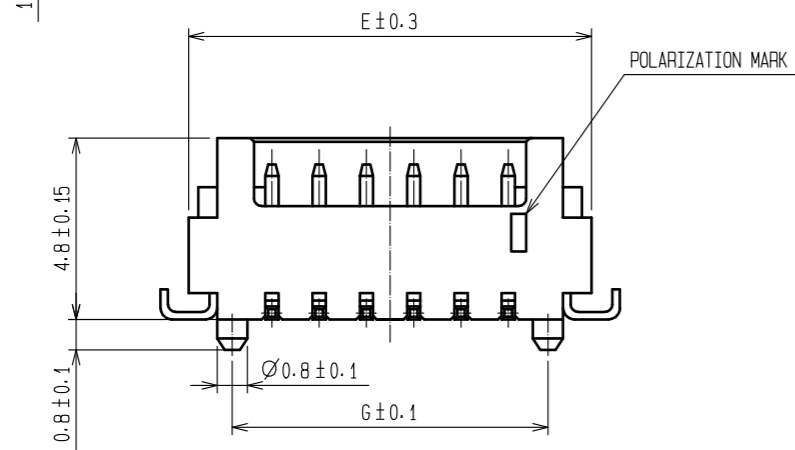
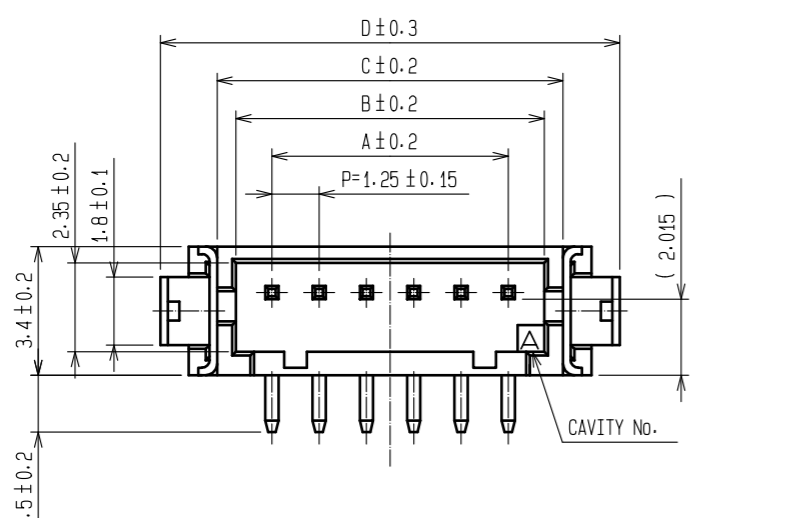
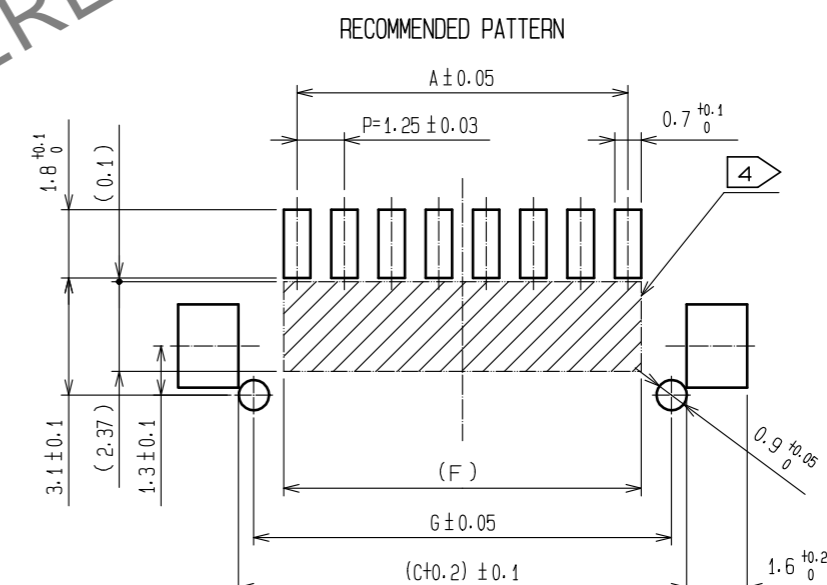


Mar.1.2026 Copyright 2026 HIROSE ELECTRIC CO., LTD. All Rights Reserved.
In case of consideration for using Automotive equipment / device which demand high reliability, kindly contact our sales window correspondents.



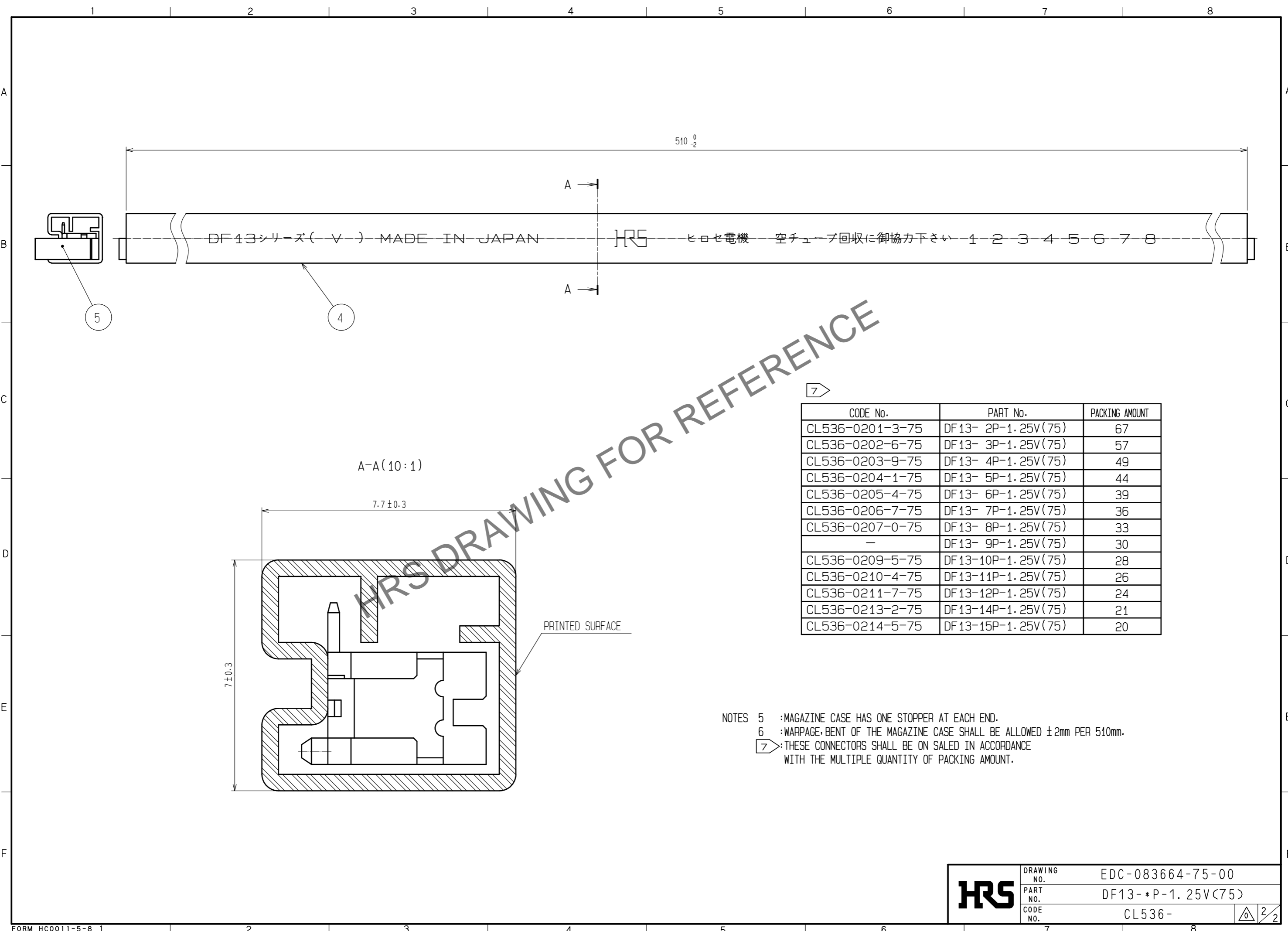
CODE No.	PART No.	NUMBER OF CONTACT	A	B	C	D	E	F	G
CL536-0201-3-75	DF13- 2P-1.25V(75)	2	1.25	3.15	4.15	7.15	5.65	1.95	3.35
CL536-0202-6-75	DF13- 3P-1.25V(75)	3	2.50	4.40	5.40	8.40	6.90	3.20	4.60
CL536-0203-9-75	DF13- 4P-1.25V(75)	4	3.75	5.65	6.65	9.65	8.15	4.45	5.85
CL536-0204-1-75	DF13- 5P-1.25V(75)	5	5.00	6.90	7.90	10.90	9.40	5.70	7.10
CL536-0205-4-75	DF13- 6P-1.25V(75)	6	6.25	8.15	9.15	12.15	10.65	6.95	8.35
CL536-0206-7-75	DF13- 7P-1.25V(75)	7	7.50	9.40	10.40	13.40	11.90	8.20	9.60
CL536-0207-0-75	DF13- 8P-1.25V(75)	8	8.75	10.65	11.65	14.65	13.15	9.45	10.85
-	DF13- 9P-1.25V(75)	9	10.00	11.90	12.90	15.90	14.40	10.70	12.10
CL536-0209-5-75	DF13-10P-1.25V(75)	10	11.25	13.15	14.15	17.15	15.65	11.95	13.35
CL536-0210-4-75	DF13-11P-1.25V(75)	11	12.50	14.40	15.40	18.40	16.90	13.20	14.60
CL536-0211-7-75	DF13-12P-1.25V(75)	12	13.75	15.65	16.65	19.65	18.15	14.45	15.85
CL536-0213-2-75	DF13-14P-1.25V(75)	14	16.25	18.15	19.15	22.15	20.65	16.95	18.35
CL536-0214-5-75	DF13-15P-1.25V(75)	15	17.50	19.40	20.40	23.40	21.90	18.20	19.60



- NOTES
- 1 WHEN THIS CONNECTOR MATES WITH DF13-*S-1.25C, THE MATING HEIGHT IS 5.8mm.
 - 2 WHEN THIS CONNECTOR HAS TWO OR THREE CONTACTS, THE LOCK SHALL BE SET AT THE CENTER OF HOUSING. IF MORE THAN FOUR, THE TWO LOCKS SHALL BE SET AS SHOWN ON THIS DRAWING.
 - 3 LEAD CO-PLANARITY INCLUDING REINFORCED METAL FITTINGS SHALL BE WITHIN 0.1mm.
 - 4 PROHIBITED AREA OF PATTERN WITHOUT RESIST COATING.

2	BRASS	SURFACE:TIN PLATED 1μm min UNDER PLATING:COPPER PLATED 1μm min	5	ELASTOMER	GRAY, STOPPER		
1	POLYAMIDE	UL94V-0, BEIGE	4	R. PVC	ANTI-ELECTRIFICATION, CLEAR, STICK		
NO.	MATERIAL	FINISH, REMARKS	NO.	MATERIAL	FINISH, REMARKS		
UNITS mm		SCALE 5 : 1	COUNT	DESCRIPTION OF REVISIONS	DESIGNED	CHECKED	DATE
HRS HIROSE ELECTRIC CO., LTD.		APPROVED : HS. OKAWA	18.03.20	DRAWING NO. EDC-083664-75-00			
		CHECKED : TS. FUKUSHIMA	18.03.20	PART NO. DF13-*P-1.25V(75)			
		DESIGNED : TS. KUMAZAWA	18.03.19	CODE NO. CL536-			
		DRAWN : MK. INOUE	18.03.08				

Mar.1.2026 Copyright 2026 HIROSE ELECTRIC CO., LTD. All Rights Reserved.
 In case of consideration for using Automotive equipment / device which demand high reliability, kindly contact our sales window correspondents.



CODE No.	PART No.	PACKING AMOUNT
CL536-0201-3-75	DF13- 2P-1.25V(75)	67
CL536-0202-6-75	DF13- 3P-1.25V(75)	57
CL536-0203-9-75	DF13- 4P-1.25V(75)	49
CL536-0204-1-75	DF13- 5P-1.25V(75)	44
CL536-0205-4-75	DF13- 6P-1.25V(75)	39
CL536-0206-7-75	DF13- 7P-1.25V(75)	36
CL536-0207-0-75	DF13- 8P-1.25V(75)	33
-	DF13- 9P-1.25V(75)	30
CL536-0209-5-75	DF13-10P-1.25V(75)	28
CL536-0210-4-75	DF13-11P-1.25V(75)	26
CL536-0211-7-75	DF13-12P-1.25V(75)	24
CL536-0213-2-75	DF13-14P-1.25V(75)	21
CL536-0214-5-75	DF13-15P-1.25V(75)	20

NOTES 5 :MAGAZINE CASE HAS ONE STOPPER AT EACH END.
 6 :WARPAGE, BENT OF THE MAGAZINE CASE SHALL BE ALLOWED ±2mm PER 510mm.
 7 :THESE CONNECTORS SHALL BE ON SALED IN ACCORDANCE WITH THE MULTIPLE QUANTITY OF PACKING AMOUNT.

HRS	DRAWING NO.	EDC-083664-75-00
	PART NO.	DF13-*P-1.25V(75)
	CODE NO.	CL536-