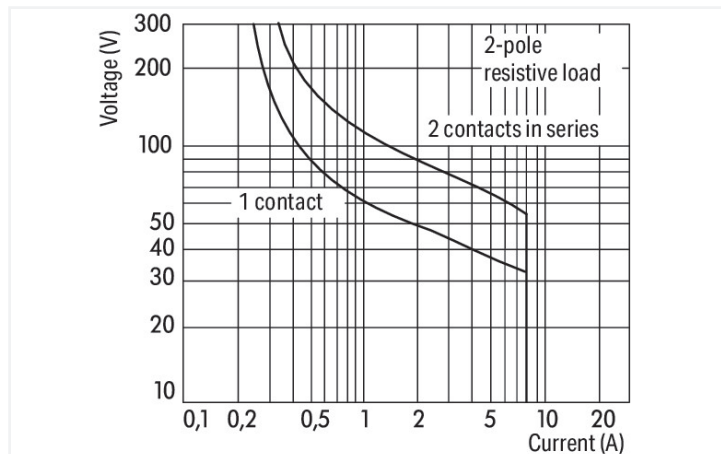


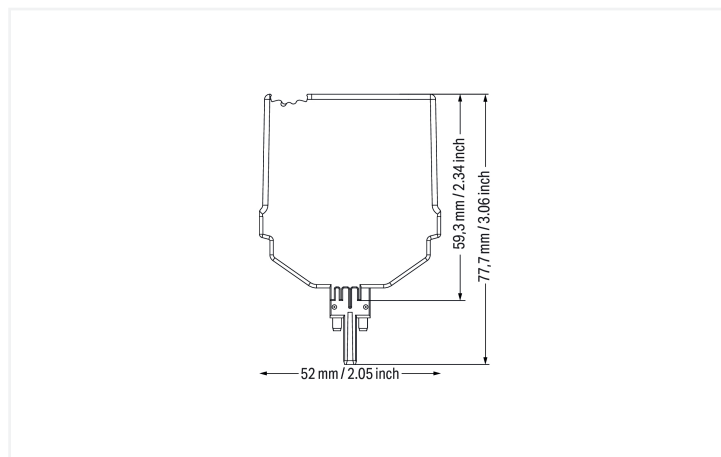
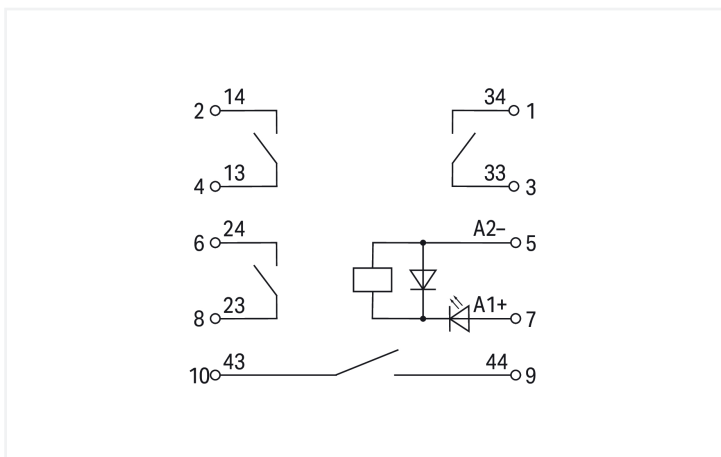
Data Sheet | Item Number: 2042-3024

Relay module; Nominal input voltage: 24 VDC; 4 make contacts; Limiting continuous current: 5 A; Railway; Green status indicator; Module width: 25 mm

<https://www.wago.com/2042-3024>



DC load limit curve



Technical data

Control circuit	
Nominal input voltage U_N	24 VDC
Input voltage range	-30 ... +25 %
Nominal input current at U_N	29 mA

Load circuit	
Number of make/switch-on contacts	4
Contact material (relay)	AgNi
Limiting continuous current	5 A
Inrush current (resistive) max.	(AC) 15 A / 4 s
Switching Voltage, Max.	250 VAC
Switching power (resistive) max.	AC 1250 VA; DC (see load limit curve)
Recommended minimum load	12 V / 10 mA
Pull-in time (typ.)	8 ms
Drop-out time (typ.)	6 ms
Bounce time (typ.)	4 ms
Electrical life (NO; resistive load; 23 °C)	100 x 10 ³ switching operations
Mechanical life	10 x 10 ⁶ switching operations

Signaling

Status indicator	Green LED
------------------	-----------

Safety and protection

Rated Voltage	250 V
Pollution degree	2
Dielectric strength (control/load circuit) (AC, 1 min)	3 kVrms
Dielectric strength (open contact) (AC, 1 min)	1 kVrms
Dielectric strength (channel/channel) (AC, 1 min.)	1.5 kVrms
Protection type	IP20

Physical data

Width	25.9 mm / 1.02 inches
Height	77.7 mm / 3.059 inches
Height from the surface	59.3 mm / 2.335 inches
Depth	52 mm / 2.047 inches

Mechanical data

Mounting type	Pluggable module for TOPJOB® S carrier terminal block
---------------	---

Material data

Note (material data)	Information on material specifications can be found here
Flammability class per UL94	V0
Fire load	0.232 MJ
Weight	70.3 g

Environmental requirements

Ambient temperature (operation at U_N)	-40 ... +70 °C
Ambient temperature (storage)	-40 ... +85 °C
Processing temperature	-25 ... +50 °C
Operating altitude (max.)	2000 m

Standards and Specifications

Standards/specifications	EN 61010-2-201 EN 61373 EN 50121-3-2
--------------------------	--

Commercial data

PU (SPU)	5 pcs
Packaging type	Box
Country of origin	DE
GTIN	4055143651691
Customs tariff number	85364900990

Product Classification	
UNSPSC	39122334
eCl@ss 10.0	27-14-11-49
eCl@ss 9.0	27-14-11-49
ETIM 9.0	EC002018
ETIM 10.0	EC002018
ECCN	NO US CLASSIFICATION

Environmental Product Compliance	
CAS-No.	1303-86-2 1317-36-8 7439-92-1 79-94-7
REACH Candidate List Substance	2,2',6,6'-tetrabromo-4,4'-isopropylidenediphenol Diboron trioxide Lead Lead monoxide
RoHS Compliance Status	Compliant,With Exemption
RoHS Exemption	7(a) 7(c)-I
SCIP notification number (Austria)	a290dbb3-7a88-4627-936e-60f7d5bc5c13
SCIP notification number (Belgium)	940dd3a0-92be-4d92-a1bf-d891d663570d
SCIP notification number (Bulgaria)	9436bdc7-0720-4e6d-be9c-9f837e9c1df3
SCIP notification number (Czech Republic)	e0f5d0b3-89b0-47e5-a206-a008ede1a85b
SCIP notification number (Denmark)	b461c1ae-5d0c-493c-8b25-a9cd2893ec65
SCIP notification number (Finland)	29653bdd-a7bd-45e7-9ec4-7525deaadca4
SCIP notification number (France)	5943df0b-f7c4-4528-b3f2-d999f3a75c11
SCIP notification number (Germany)	fe2299bd-1db9-416d-999f-1bfa185cedf2
SCIP notification number (Hungary)	b320ca73-8f4e-4088-a29f-4309ab8dd22c
SCIP notification number (Italy)	bd285d8f-e4c9-4c9a-a662-2286440c7b3b
SCIP notification number (Netherlands)	8e7dbffe-a66e-492c-9e44-dc1a9cf31205
SCIP notification number (Poland)	8596f47f-4baa-46e8-a2d3-d66749fbbd9b
SCIP notification number (Romania)	06987361-27a9-48d2-ac4e-7d5e57fc2cf0
SCIP notification number (Sweden)	2221e7f4-0f68-4c06-a1f7-7daeff942e11

Approvals / Certificates

General approvals			Declarations of conformity and manufacturer's declarations		
Approval	Standard	Certificate Name	Approval	Standard	Certificate Name
EAC GZO Almaty Standart	TP TC 004/2011	EAC CoC 03084	EU-Declaration of Confor- mity WAGO GmbH & Co. KG	-	-
UL Underwriters Laboratories Inc. (ORDINARY LOCATI- ONS)	UL 61010-1	E175199			

Downloads

Environmental Product Compliance

Compliance Search			
Environmental Product Compliance 2042-3024			↓

Documentation

Bid Text			
2042-3024	19.02.2019	xml 3.84 KB	↓
2042-3024	20.02.2019	docx 16.73 KB	↓

Instruction Leaflet			
Pluggable Relay Module / Pluggable Solid-State Relay Module	V 1.1.0	pdf 1933.06 KB	↓

CAD/CAE-Data

CAD data	
2D/3D Models 2042-3024	↓

CAE data	
ZUKEN Portal 2042-3024	↓

1 Compatible Products

1.1 Optional Accessories

1.1.1 End plate

1.1.1.1 End plate

Item No.: 2002-1691 End and intermediate plate; 1 mm thick; gray	Item No.: 2002-1791 End and intermediate plate; 1 mm thick; gray	Item No.: 2002-1891 End and intermediate plate; 1 mm thick; gray	Item No.: 2002-1991 End and intermediate plate; 1 mm thick; gray
Item No.: 2002-1692 End and intermediate plate; 1 mm thick; orange	Item No.: 2002-1792 End and intermediate plate; 1 mm thick; orange	Item No.: 2002-1892 End and intermediate plate; 1 mm thick; orange	Item No.: 2002-1992 End and intermediate plate; 1 mm thick; orange

1.1.2 Marking

1.1.2.1 Marker

Item No.: 793-5501 WMB marking card; as card; for terminal block width 5 - 17.5 mm; stretchable 5 - 5.2 mm; plain; snap-on type; white	Item No.: 793-501 WMB marking card; as card; not stretchable; plain; snap-on type; white	Item No.: 2009-115 WMB-Inline; for Smart Printer; 1500 pieces on roll; stretchable 5 - 5.2 mm; plain; snap-on type; white

1.1.2.2 Marking strip



Item No.: 2009-110

Marking strips; for Smart Printer; on reel; not stretchable; plain; snap-on type; white

1.1.3 Terminal blocks

1.1.3.1 Carrier terminal block for modules and plugs



Item No.: 2002-1661

2-conductor carrier terminal block; for DIN-rail 35 x 15 and 35 x 7.5; 2.5 mm²; Push-in CAGE CLAMP®; 2,50 mm²; gray



Item No.: 2002-1961

2-conductor carrier terminal block; with additional jumper position; for DIN-rail 35 x 15 and 35 x 7.5; 2.5 mm²; Push-in CAGE CLAMP®; 2,50 mm²; gray



Item No.: 2002-1761

3-conductor carrier terminal block; for DIN-rail 35 x 15 and 35 x 7.5; 2.5 mm²; Push-in CAGE CLAMP®; 2,50 mm²; gray



Item No.: 2002-1861

4-conductor carrier terminal block; for DIN-rail 35 x 15 and 35 x 7.5; 2.5 mm²; Push-in CAGE CLAMP®; 2,50 mm²; gray