

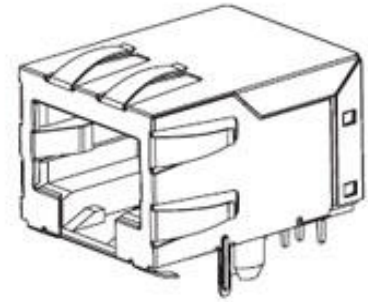
Part Number : [432028824](#)

Product Description : Modular Jack, Right-Angle, Low Profile, Shielded, No Panel Grounding Tabs, without Bottom Grounding Tab, Rear Position PCB Ground Tab, 8/8

Series Number : 43202

Status : Active

Product Category : Modular Jacks and Plugs



Documents and Resources

Drawings

[432028824 sd.pdf](#)

[PK-43202-004-001.pdf](#)

3D Models and Design Files

[STEP AP242](#)

[SOLIDWORKS](#)


[Creo](#)

Specifications

[PS-43202-001-001.pdf](#)

Product Environment Compliance

Compliance

GADSL/IMDS	Not Relevant
China RoHS	 per SJ/T 11365-2006
EU ELV	Not Relevant
Low-Halogen Status	Not Low-Halogen per IEC 61249-2-21
REACH SVHC	Not Contained per D(2025)4165-DC (25 June 2025)
EU RoHS	Compliant per EU 2015/863

[Compliance Statements](#)

- EU RoHS
- REACH SVHC
- Low-Halogen

Industry Documents

- IPC 1752A Class C
- IPC 1752A Class D
- Molex Product Compliance Declaration
- IEC-62474
- chemSHERPA (xml)

Substances of Interest

- PFAS

EU RoHS Certificate of Compliance

Additional Product Compliance Information

Part Details

General

Status	Active
Category	Modular Jacks and Plugs
Series	43202
Description	Modular Jack, Right-Angle, Low Profile, Shielded, No Panel Grounding Tabs, without Bottom Grounding Tab, Rear Position PCB Ground Tab, 8/8
Component Type	PCB Jack
Magnetic	No
Performance Category	3
Power over Ethernet (PoE)	N/A
Product Name	Modular Jack 8/8,RJ45
UPC	800756072784

Agency

CSA	LR19980
UL	E107635

Electrical

Current - Maximum per Contact	1.5A
-------------------------------	------

Grounding to Panel	None
Shielded	Yes
Voltage - Maximum	150V AC (RMS)

Physical

Color - Resin	Black
Durability (mating cycles max)	500
Flammability	94V-0
Inverted / Top Latch	No
Jack Height	11.81mm
Lightpipes/LEDs	None
Material - Metal	Brass, Phosphor Bronze
Material - Plating Mating	Gold
Material - Plating Termination	Tin
Material - Resin	High Temperature Thermoplastic
Net Weight	4.100/g
Orientation	Right Angle (Side Entry)
Packaging Type	Tray
PCB Retention	Yes
PCB Thickness - Recommended	1.57mm
Pitch - Mating Interface	1.02mm
Pitch - Termination Interface	1.27mm
Plating min - Mating	1.270µm
Plating min - Termination	2.540µm
Port Configuration	1x1
Positions / Loaded Contacts	8/8
Temperature Range - Operating	-40° to +85°C
Termination Interface Style	Through Hole
Wire/Cable Type	N/A

Solder Process Data

Lead-Free Process Capability	WAVE
------------------------------	------

Mates With / Use With

Mates with Part(s)

Description	Part Number
Mates With	FCC 68 Plugs

This document was generated on May 27, 2026