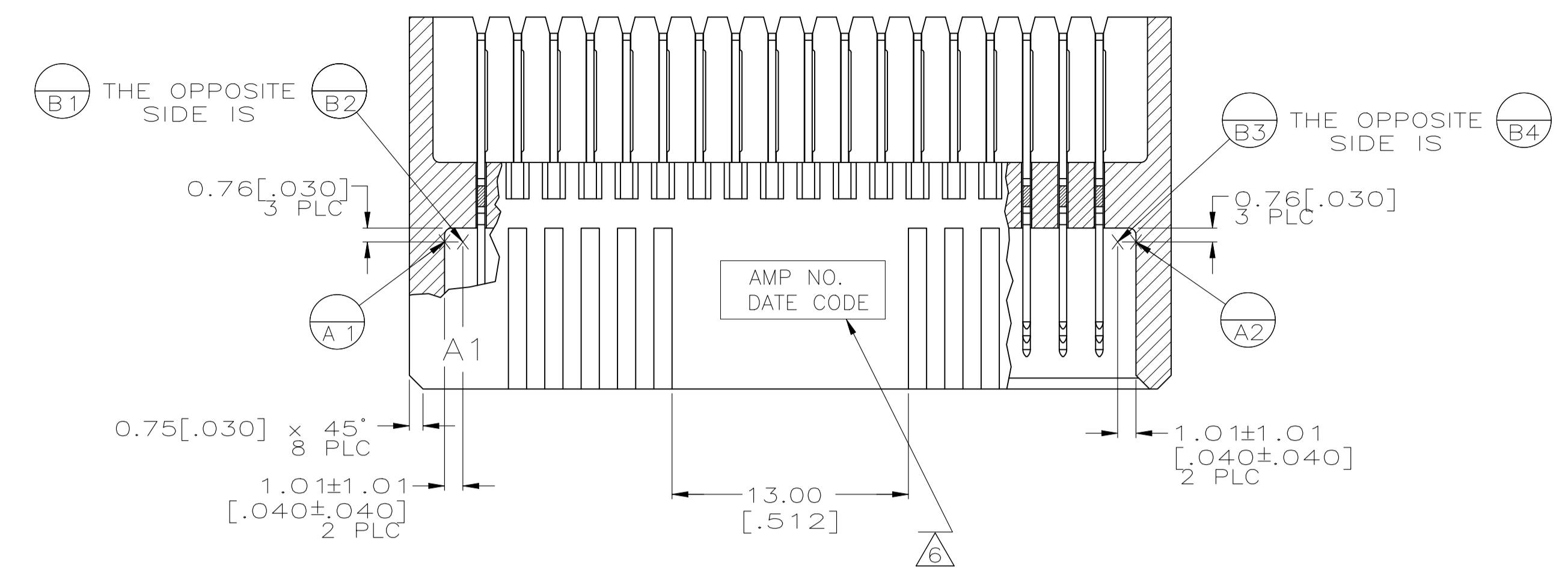
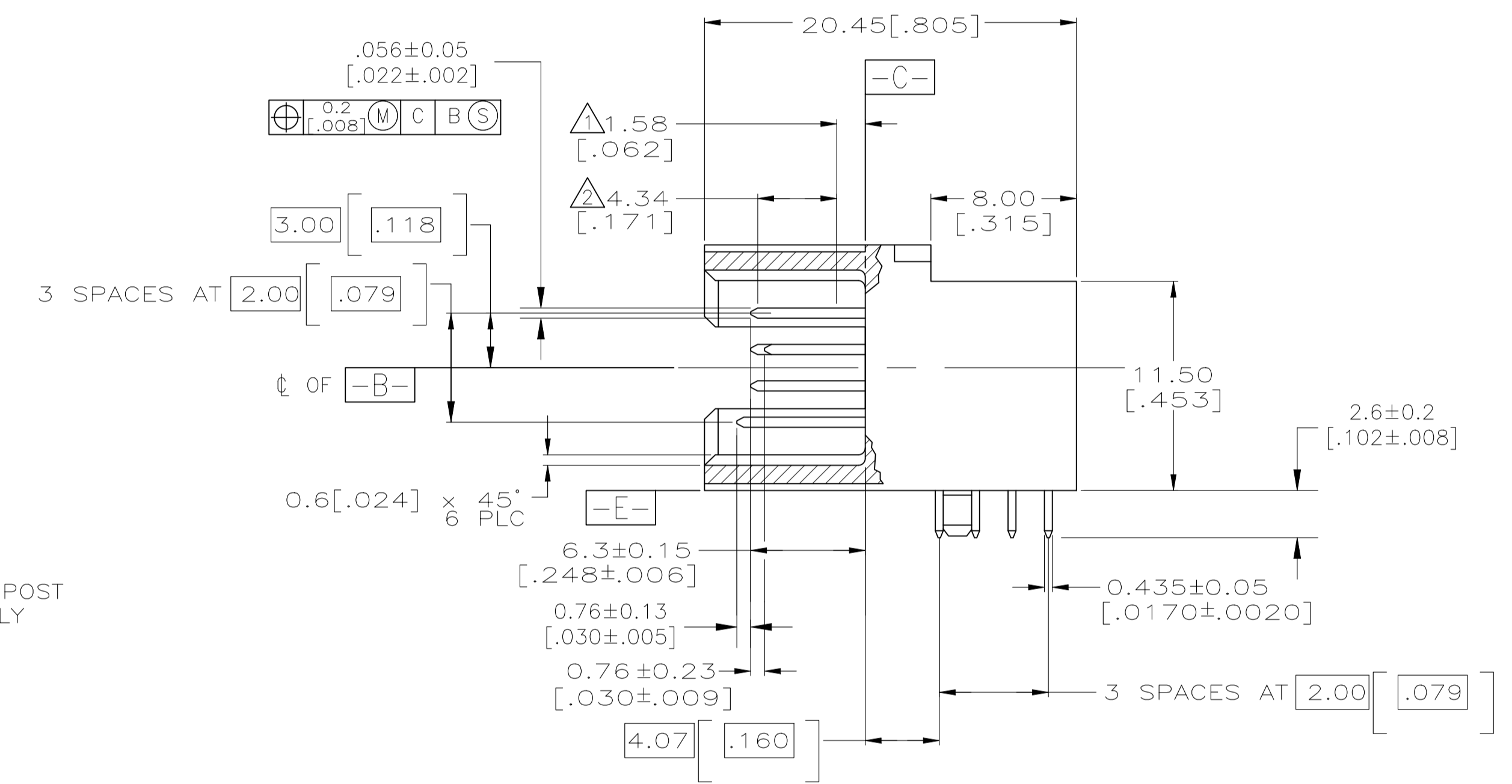
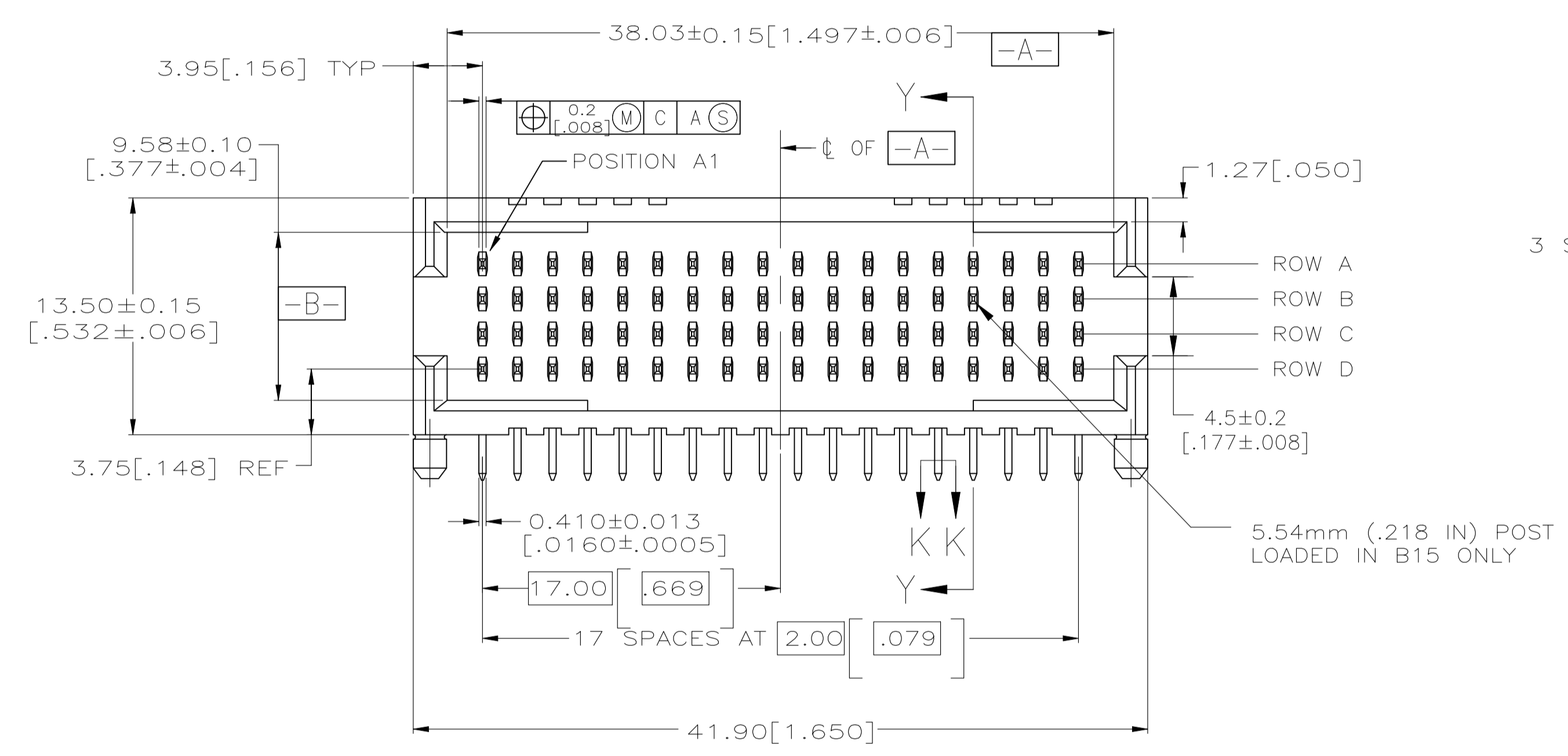


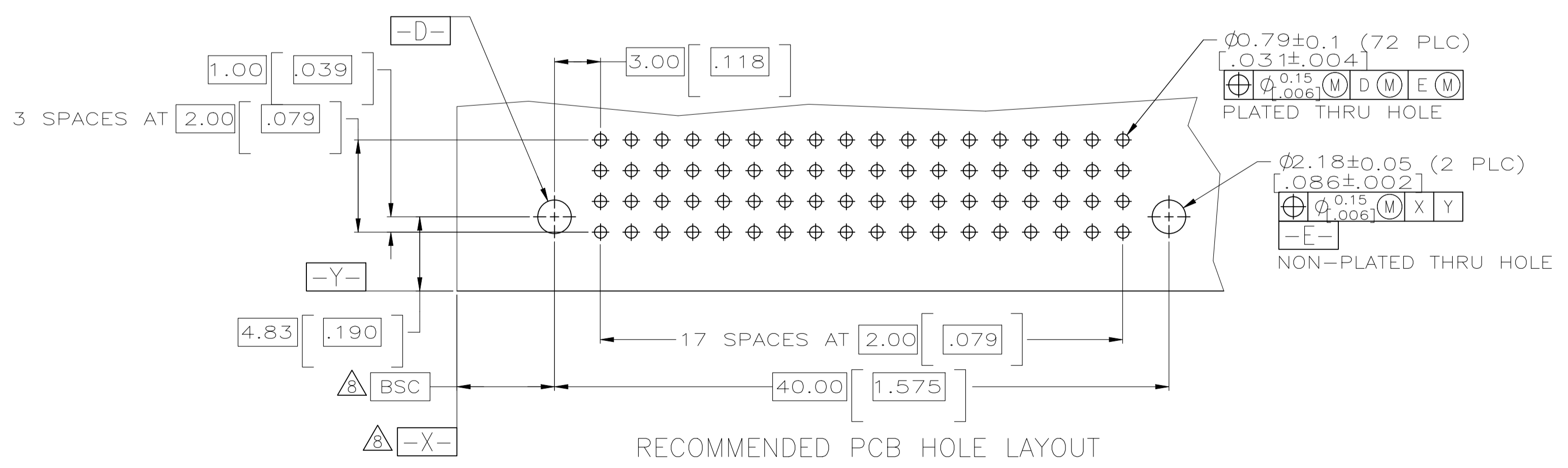
REVISIONS				
REV	DESCRIPTION	DATE	BY	APP'D
H2	NOTE 5 UPDATED	10OCT2025	KA	HB



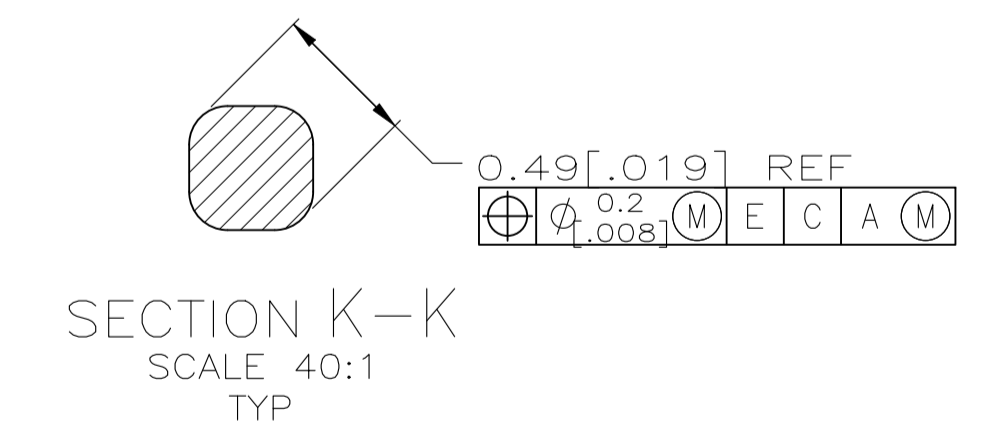
- △ DISTANCE TO INTERFACE; REFERENCE ONLY.
- △ NOMINAL WIPE EXCLUDING POST TIP; REFERENCE ONLY.
- △ HOUSING MATERIAL: LIQUID CRYSTAL POLYMER. COLOR: BLACK.
- △ CONTACT MATERIAL: PHOSPHOR BRONZE.
- △ CONTACT FINISH GOLD PLATED:  
0.00076 [0.00030] MIN GOLD PLATE IN LOCALIZED MATING AREA OVER  
0.00127 [0.00050] MIN NICKEL UNDERPLATED.  
0.00381 [0.00150] MIN TIN ON SOLDER TAILS
- △ MARKED WITH TE PART NUMBER & DATE CODE IN APPROXIMATE AREA SHOWN.



SECTION Y-Y



RECOMMENDED PCB HOLE LAYOUT



SECTION K-K  
SCALE 40:1  
TYP

POSITIONS LOADED WITH 5.54 [0.218] POST	POSITIONS LOADED WITH 6.30 [0.248] POST	POSITIONS LOADED WITH 7.06 [0.278] POST	ROWS	NO. OF LOADED POSITIONS	PART NUMBER
NONE	NONE	1-18	D	18	148510-1
NONE	1-18	NONE	C	18	
15	1-14, 16-18	NONE	B	18	
NONE	1-18	NONE	A	18	

THIS DRAWING IS A CONTROLLED DOCUMENT.

DIMENSIONS: mm	TOLERANCES UNLESS OTHERWISE SPECIFIED:	DIN T. SHUEY 10-5-98	TE Connectivity
0 PLC ± - 1 PLC ± - 2 PLC ± 0.13 [0.005] 3 PLC ± - 4 PLC ± - ANGLES ± -	0.15 [0.006] M D M E M 0.15 [0.006] M X Y -E-	CJK R. PATTERSON 10-7-98 R. PATTERSON 10-7-98	
MATERIAL	FINISH	APPROVED	NAME Z-PACK, 2mm RS, R/A PIN HEADER ASSEMBLY, SEQUENCED MATING POSTS APPLICATION SPEC SIZE A1 CAGE CODE 00779 DRAWING NO. 148510 WEIGHT CUSTOMER DRAWING

RESTRICTED TO

SCALE 4:1 SHEET 1 of 1 REV H2