

ST-OV2- 24DC/ 60DC/1 - Solid-state relay



2905035

<https://www.phoenixcontact.com/us/products/2905035>

Please be informed that the data shown in this PDF document is generated from our online catalog. Please find the complete data in the user documentation. Our general terms of use for downloads are valid.



Plug-in power solid-state relay, with LED and protective circuit in input and output circuits, input: 24 V DC, output: 12 - 60 V DC/max. 1 A, can be plugged into basic terminal blocks

Commercial data

Item number	2905035
Packing unit	10 pc
Minimum order quantity	1 pc
Sales key	C460
Product key	DK61B1
GTIN	4017918079178
Weight per piece (including packing)	25.74 g
Weight per piece (excluding packing)	25.04 g
Customs tariff number	85364190
Country of origin	DE

ST-OV2- 24DC/ 60DC/1 - Solid-state relay



2905035

<https://www.phoenixcontact.com/us/products/2905035>

Technical data

Product properties

Product type	Single solid-state relay
--------------	--------------------------

Data management status

Date of last data management	03.07.2025
------------------------------	------------

Electrical properties

Test voltage (Input/output)	2.5 kV AC (Input/output)
-----------------------------	--------------------------

Input data

Nominal input voltage U_N	24 V DC
Input voltage range in reference to U_N	0.8 ... 1.2
Input voltage range	19.2 V DC ... 28.8 V DC
Switching threshold "0" signal in reference to U_N	≤ 0.4
Switching threshold "1" signal in reference to U_N	≥ 0.8
Typical input current at U_N	7 mA
Typical response time	20 μ s
Typical turn-off time	200 μ s
Status display	LED (yellow)
Protective circuit	Reverse polarity protection; Polarity protection diode Surge protection
Transmission frequency	500 Hz

Output data

Design of digital output	electronic
Output voltage range	12 V DC ... 60 V DC
Limiting continuous current	1 A (see derating curve)
Surge current	5 A (t = 1 s)
Peak offstate voltage	60 V DC (Collector-emitter reverse voltage)
Voltage drop at max. limiting continuous current	1.2 V
Output circuit	2-conductor, floating
Protective circuit	Reverse polarity protection; Polarity protection diode Surge protection

Dimensions

Width	14.6 mm
Height	33 mm
Depth	66.5 mm

Material specifications

Color	green (RAL 6021)
-------	------------------

ST-OV2- 24DC/ 60DC/1 - Solid-state relay



2905035

<https://www.phoenixcontact.com/us/products/2905035>

Environmental and real-life conditions

Ambient conditions

Ambient temperature (operation)	-20 °C ... 60 °C
Ambient temperature (storage/transport)	-20 °C ... 70 °C

Standards and regulations

Standards/regulations	DIN VDE 0110b, Gr. C for 250 V DC
	DIN VDE 0160 (in relevant parts)

Mounting

Mounting position	any
-------------------	-----

ST-OV2- 24DC/ 60DC/1 - Solid-state relay

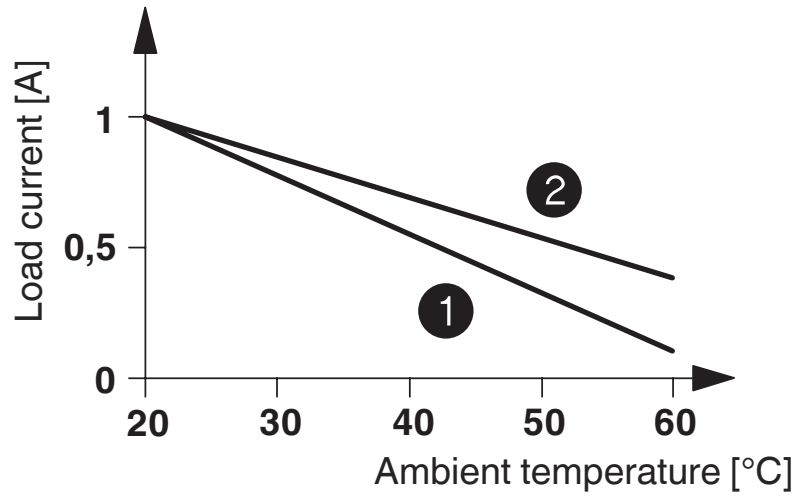
2905035

<https://www.phoenixcontact.com/us/products/2905035>



Drawings

Diagram



- ① In rows with zero spacing
- ② stand-alone device

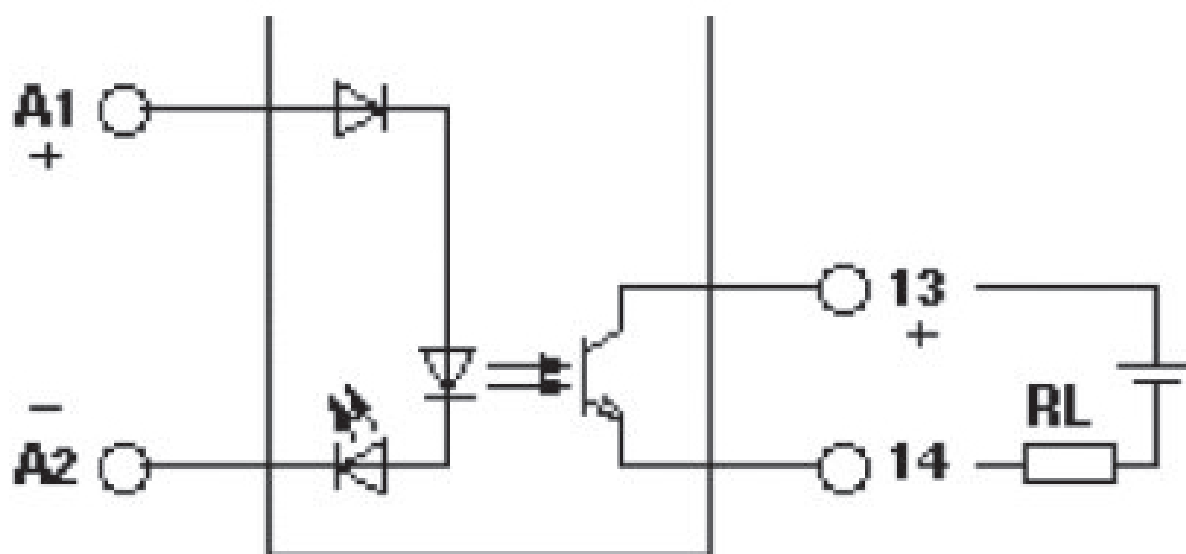
ST-OV2- 24DC/ 60DC/1 - Solid-state relay

2905035

<https://www.phoenixcontact.com/us/products/2905035>



Circuit diagram



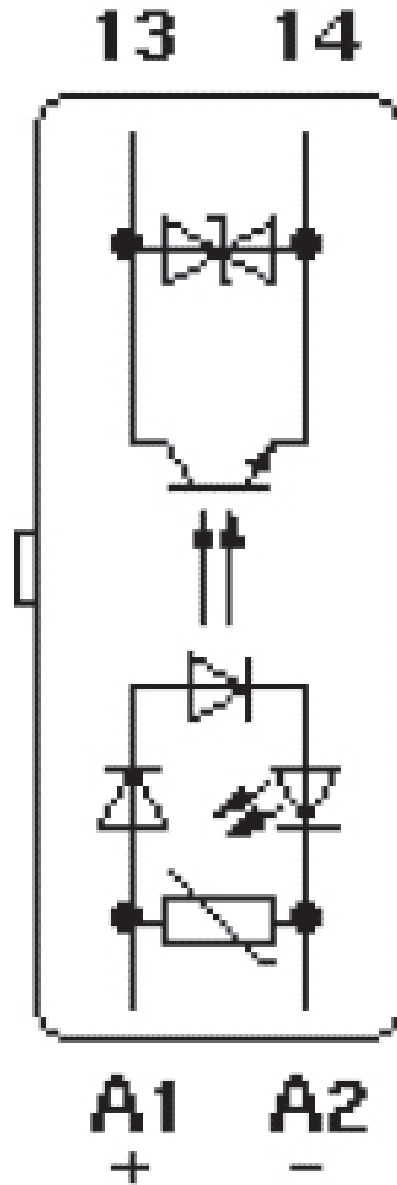
ST-OV2- 24DC/ 60DC/1 - Solid-state relay

2905035

<https://www.phoenixcontact.com/us/products/2905035>



Circuit diagram



ST-OV2- 24DC/ 60DC/1 - Solid-state relay



2905035

<https://www.phoenixcontact.com/us/products/2905035>

Approvals

To download certificates, visit the product detail page: <https://www.phoenixcontact.com/us/products/2905035>



EAC

Approval ID: RU*C-DE.*08.B.00010

ST-OV2- 24DC/ 60DC/1 - Solid-state relay



2905035

<https://www.phoenixcontact.com/us/products/2905035>

Classifications

ECLASS

ECLASS-13.0	27371604
ECLASS-15.0	27371604

ETIM

ETIM 9.0	EC001504
----------	----------

UNSPSC

UNSPSC 21.0	39122300
-------------	----------

ST-OV2- 24DC/ 60DC/1 - Solid-state relay



2905035

<https://www.phoenixcontact.com/us/products/2905035>

Environmental product compliance

EU RoHS

Fulfills EU RoHS substance requirements	Yes
Exemption	7(a), 7(c)-I

China RoHS

Environment friendly use period (EFUP)	EFUP-50
	An article-related China RoHS declaration table can be found in the download area for the respective article under "Manufacturer declaration". For all articles with EFUP-E, no China RoHS declaration table issued and required.

EU REACH SVHC

REACH candidate substance (CAS No.)	Hexahydromethylphthalic anhydride(CAS: n/a)
	Lead(CAS: 7439-92-1)
SCIP	9e5e068b-9fc6-4434-abf6-0edbe14aa5d7

Phoenix Contact 2025 © - all rights reserved
<https://www.phoenixcontact.com>

Phoenix Contact USA
586 Fulling Mill Road
Middletown, PA 17057, United States
(+717) 944-1300
info@phoenixcon.com