

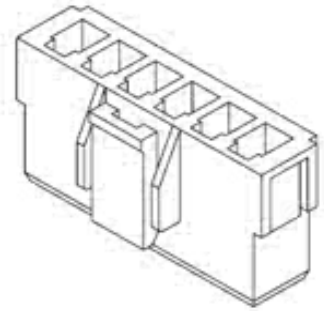
Part Number : [351560800](#)

Product Description : 3.96mm Pitch Wire-to-Board Housing, Positive Lock, Natural, 8 Circuits

Series Number : 35156

Status : Obsolete

Product Category : Connector Housings



Documents and Resources

Specifications


[351560200-100.pdf](#)

[PS-35156-001-001.pdf](#)

[PS-35156-003-001.pdf](#)

Product Environment Compliance

Compliance

GADSL/IMDS	Not Relevant
China RoHS	 per SJ/T 11365-2006
EU ELV	Not Relevant
Low-Halogen Status	Not Low-Halogen per IEC 61249-2-21
REACH SVHC	Not Contained per D(2025)7771-DC (04 Feb 2026)
EU RoHS	Compliant per EU 2015/863

Compliance Statements

- EU RoHS
- REACH SVHC
- Low-Halogen

Industry Documents

- IPC 1752A Class C
- IPC 1752A Class D
- Molex Product Compliance Declaration
- IEC-62474
- chemSHERPA (xml)

Substances of Interest

- PFAS

EU RoHS Certificate of Compliance

Additional Product Compliance Information

Part Details

General

Status	Obsolete
Category	Connector Housings
Series	35156
Description	3.96mm Pitch Wire-to-Board Housing, Positive Lock, Natural, 8 Circuits
Application	Power, Wire-to-Board
Product Name	N/A
UPC	800753876880

Agency

CSA	LR19980
UL	E29179

Physical

Circuits (maximum)	8
Color - Resin	Natural
Flammability	94V-0
Gender	Receptacle
Glow-Wire Capable	No
Keying to Mating Part	No
Lock to Mating Part	Yes
Material - Resin	Polyester
Net Weight	2.160/g
Number of Rows	1
Packaging Type	Bag
Panel Mount	No
Pitch - Mating Interface	3.96mm

Pitch - Termination Interface	3.96mm
Stackable	No
Temperature Range - Operating	-40° to +105°C

Mates With / Use With

Mates with Part(s)

Description	Part Number
3.96mm Pitch Vertical Headers	<u>35313</u>
7.92mm Pitch Vertical Headers	<u>35328</u>

Use with Part(s)

Description	Part Number
Mighty-SPOX Female Crimp Terminals	<u>50217</u>

This document was generated on Apr 11, 2026

Obsolete