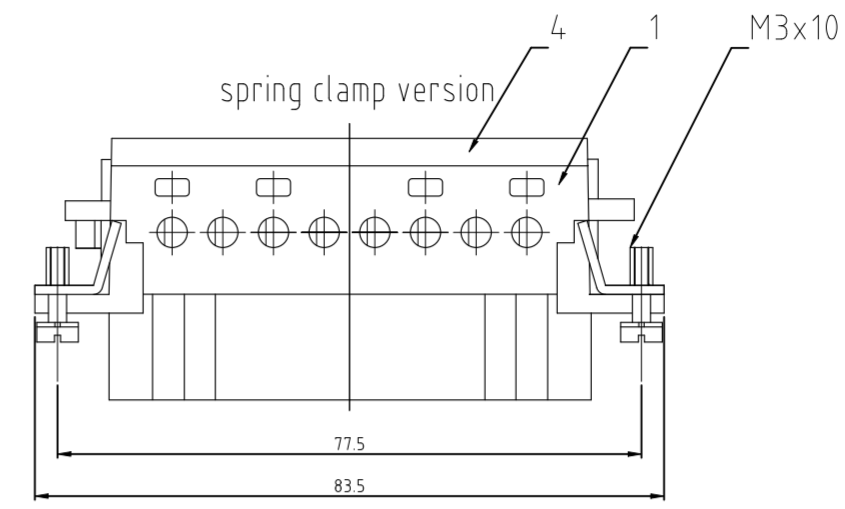
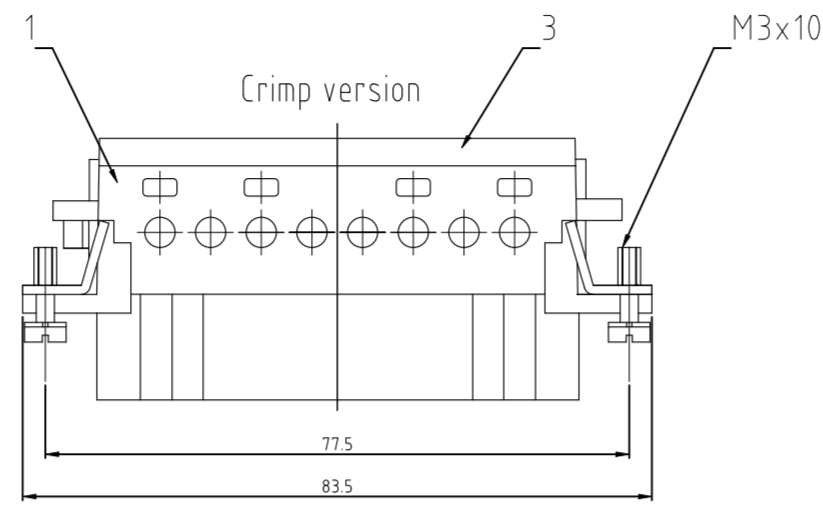
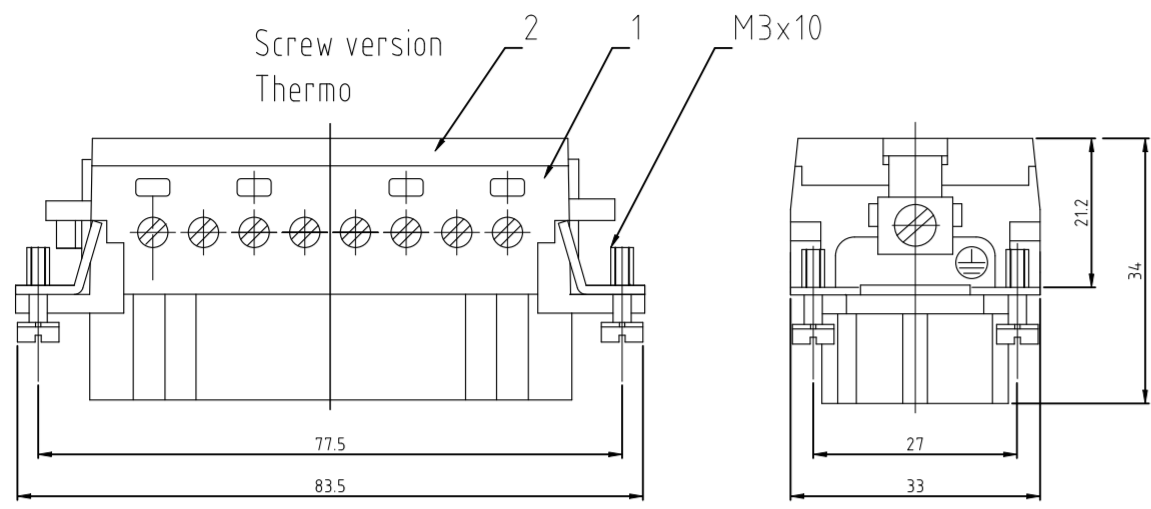
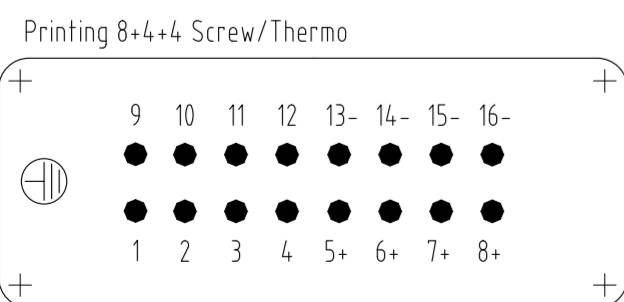
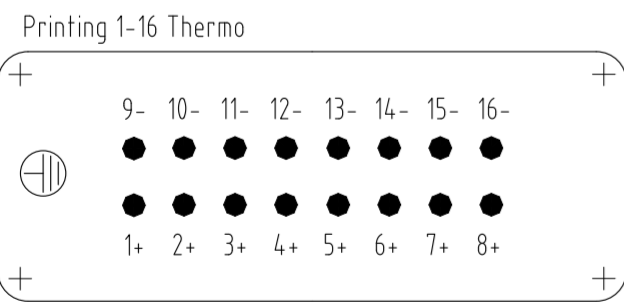
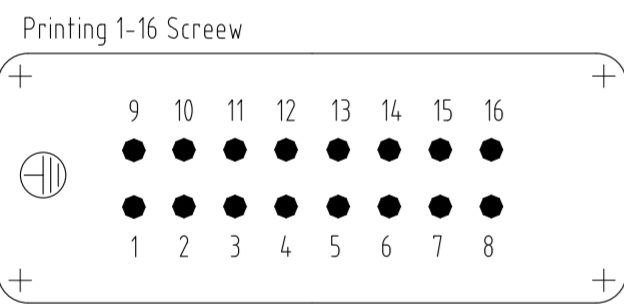
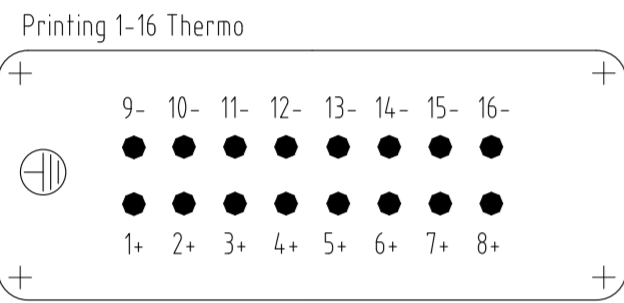


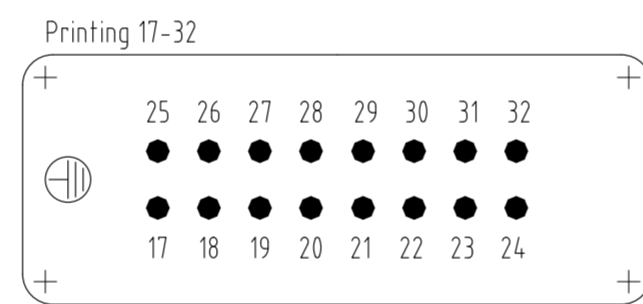
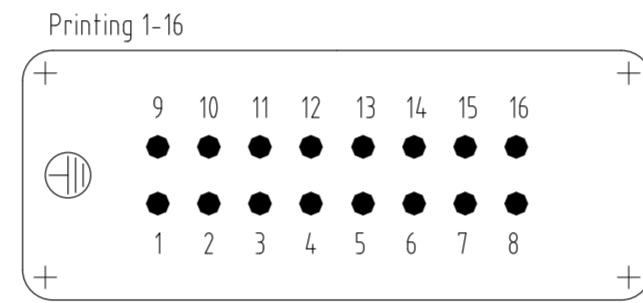
REVISIONS ÄNDERUNGEN				
P	LTR	DESCRIPTION BESCHREIBUNG	DATE	DWN APVD
C14		REVISED PER ECR-24-207258	28MAY2024	RK WR



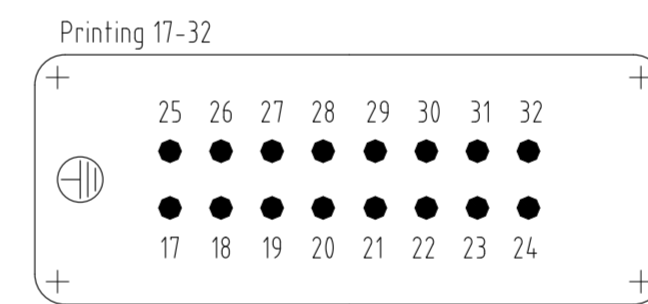
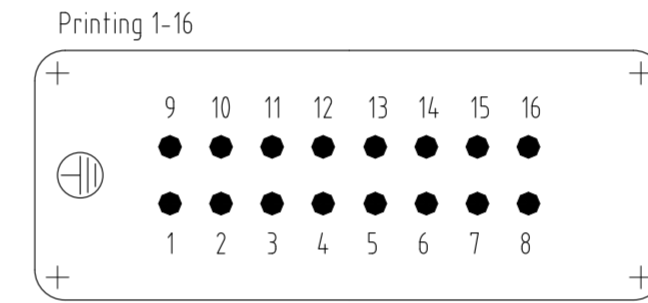
Contact arrangement view from termination side



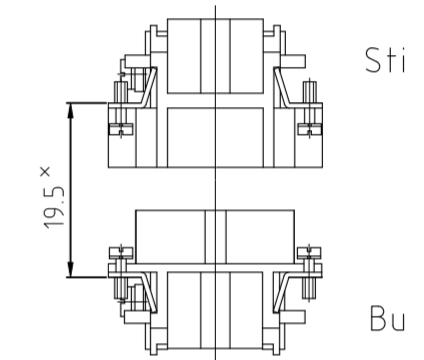
Contact arrangement view from termination side



Contact arrangement view from termination side



assembly directions

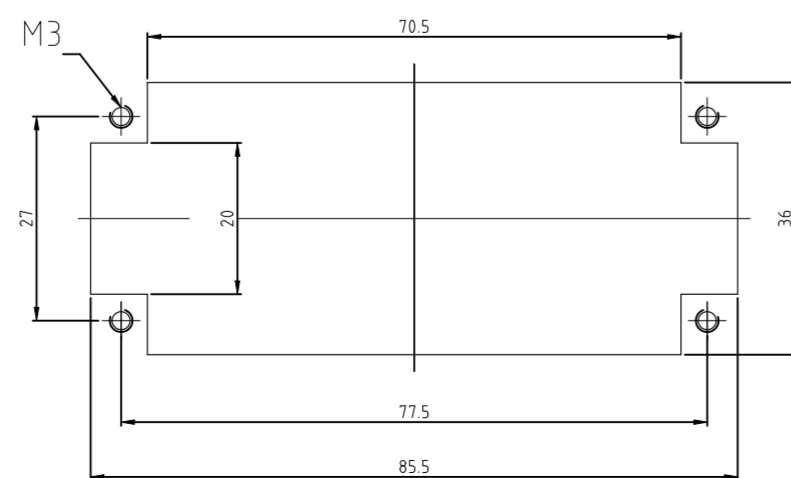


X distance for a safe contact max: max: 21 mm

NOTES:

- SUITABLE CRIMP CONTACTS: SERIES HE/HA  
OUTER DIMENSIONS OF INSULATION: MAX. Ø3,2 MM
- SUITABLE HOOD SIZE 6; 10; SERIES HB; HD;HIP,EMV  
SUITABLE INSERTION AND EXTRACTION TOOL:  
SCREWDRIVER 0,5x3 DIN 5264
- Strip lenght: Screw conection 10mm  
Spring clamp conection 10mm Crimp conection 7.5mm
- STANDARDS:  
DIN EN 61984; DIN EN 60664-1
- PACKAGING:  
5 SETS IN A CARTON, PRE-MOUNTED
- SPECIAL PACKAGING: Krauss-Maffei  
PACKAGING UNIT: 200 PIECES

Panel cut-out for contact insert when used without housing



OBSOLETE	OBSOLETE	OBSOLETE	OBSOLETE	OBSOLETE	OBSOLETE	OBSOLETE	OBSOLETE	OBSOLETE	OBSOLETE
HE.16.Bu.S.B1-16-KM	HE.16.Bu.S.T.B.8+4+4	HE.16.Bu.S.B.1-16-AU	HE.16.Bu.S.C.B.17-32	HE.16.Bu.S.C.B.1-16	HE.16.Bu.S.C.B.17-32	HE.16.Bu.S.B.1-16	HE.16.Bu.S.T.B.1-16	HE.16.Bu.S.B.1-16	HE.16.Bu.S.B.1-16

DESCRIPTION / BENENNUNG	MATERIAL	COLOR / FARBE	ITEM NO. POS.	REMARKS / BEMERKUNGEN
Deckel Federklemmversion		lichtgrau	4	
Deckel Crimpversion		lichtgrau	3	
Deckel Schraubversion		lichtgrau	2	
Buchseneinsatz		lichtgrau	1	

THIS DRAWING IS A CONTROLLED DOCUMENT. DIESE ZEICHNUNG IST EIN KONTROLLIERTES DOKUMENT.		DWN Schneider 08.02.2000	TE Connectivity
DIMENSIONS: MASSENHEITEN mm		CHK Schweiger 08.02.2000	
TOLERANCES, UNLESS OTHERWISE SPECIFIED: ALLGEMEINTOLERANZEN		APVD -	NAME
0 PLC ± 1 PLC ± 2 PLC ± 3 PLC ± 4 PLC ±		PRODUCT SPEC PRODUKTSPEZ.	Female insert HE.16.BU.C/S
MATERIAL		APPLICATION SPEC. VERARBEITUNGSSPEZ.	SIZE A2
FINISH / OBERFLAECHE / FARBE		WEIGHT GEWICHT	CAGE CODE 00779
ORDERING TEXT / BESTELLTEXT		SCALE MASSTAB 1:1	DRAWING NO. ZEICHNUNGS-NR. C=1103639
		CUSTOMER DRAWING / KUNDENZEICHNUNG	RESTRICTED TO NUR FUER
		SHEET BLATT 1 von 1	REV C14