

Part Number : [190190035](#)

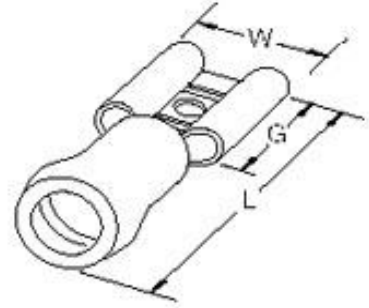
Product Description : Avikrimp Quick Disconnect, Female, for 14-16 (2.00-1.30mm²) Wire, Box, Tab 5.21 x 0.81mm, Carton

Series Number : 19019

Status : Active

Product Category : Quick Disconnects

Engineering Part Number : BB-8191-032



Documents and Resources

Drawings

[190190035_sd.pdf](#)

3D Models and Design Files

[STEP AP242](#)

[SOLIDWORKS](#)

[Creo](#)

Specifications

[PS-19902-014-001.pdf](#)

Product Environment Compliance

Compliance

GADSL/IMDS	Not Relevant
China RoHS	Not Relevant
EU ELV	Not Relevant
Low-Halogen Status	Low-Halogen per IEC 61249-2-21
REACH SVHC	Not Contained per D(2025)4165-DC (25 June 2025)
EU RoHS	Compliant per EU 2015/863

Compliance Statements

- EU RoHS
- REACH SVHC
- Low-Halogen

Industry Documents

- IPC 1752A Class C
- IPC 1752A Class D
- Molex Product Compliance Declaration
- IEC-62474
- chemSHERPA (xml)

Substances of Interest

- PFAS

EU RoHS Certificate of Compliance

Additional Product Compliance Information

Part Details

General

Status	Active
Category	Quick Disconnects
Series	19019
Description	Avikrimp Quick Disconnect, Female, for 14-16 (2.00-1.30mm ²) Wire, Box, Tab 5.21 x 0.81mm, Carton
Product Name	Avikrimp
Type	Standard Quick Disconnect
UPC	800753038301

Electrical

Voltage - Maximum	300V
-------------------	------

Physical

Barrel Type	Closed
Color - Resin	Blue
Gender	Female
Glow-Wire Capable	No
Insulated	Partial
Insulation	Nylon (PA)
Lock to Mating Part	None
Material - Metal	Brass
Material - Plating Mating	Tin

Material - Plating Termination	Tin
Net Weight	0.798/g
Orientation	Straight
Packaging Type	Carton
Plating min - Mating	2.540µm
Plating min - Termination	2.540µm
Polarized to Mating Part	No
Tab Thickness	0.81mm
Tab Width	5.21mm
Temperature Range - Operating	-65° to +105°C
Wire Insulation Diameter	3.50mm max.
Wire Size (AWG)	14, 16
Wire Size mm ²	1.30-2.00

Application Tooling

Global

Description	Part Number
PremiumGrade Hand Crimp Tool for Insulkrimp Quick Disconnect Terminals, 22-10 AWG	<u>640010200</u>
Crimp Head for the AT-200 Pneumatic Hand Tool	<u>640050200</u>
ServiceGrade Hand Crimp Tool - Ratchet	<u>640160037</u>

This document was generated on Dec 30, 2025