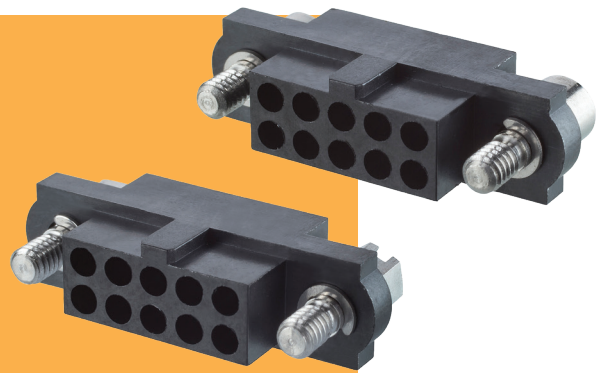


Datamate J-Tek Connectors

Female Crimp Housing

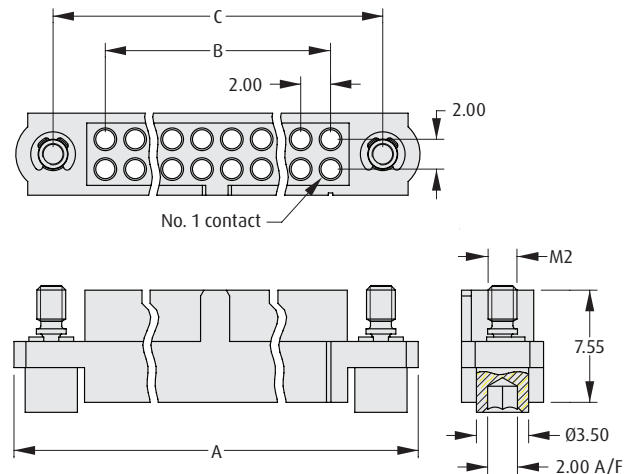
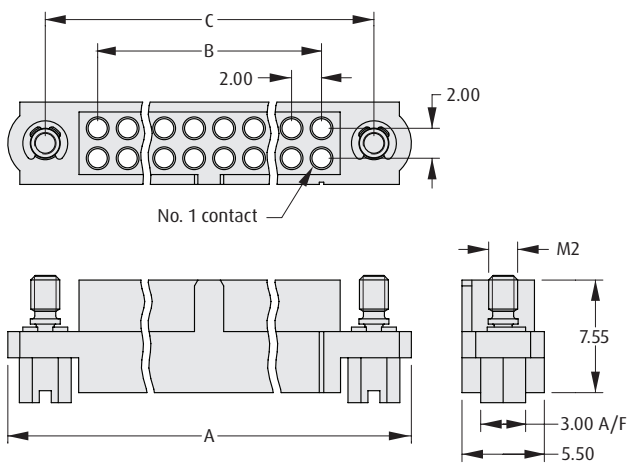
- Compatible with all female signal barrel crimp contacts, including T-Contact shown on previous page.
- Use insertion tool to insert crimped contacts into rear of connector housing: **order code Z80-280**.
- Connectors mate with Datamate J-Tek male connectors with applicable jackscrews.
- Jackscrews are supplied already assembled to housing.



DATAMATE J-TEK

HEX SLOTTED JACKSCREWS

HEX SOCKET JACKSCREWS



CALCULATION

A	$B + 12$
B	Total no. of contacts - 2
C	$B + 7$

HOW TO ORDER

M80 - 41 X XX 98

SERIES CODE

JACKSCREW TYPE

3	Hex Slotted Jackscrews
4	Hex Socket Jackscrews

TOTAL NO. OF CONTACTS

04 to 50 (Even numbers only)

All dimensions in mm.