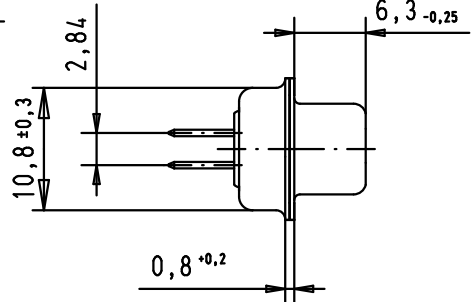
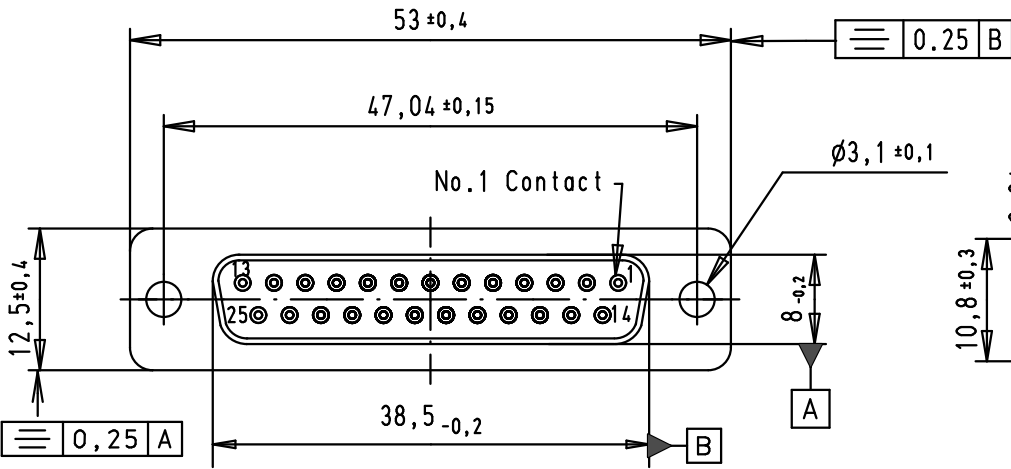


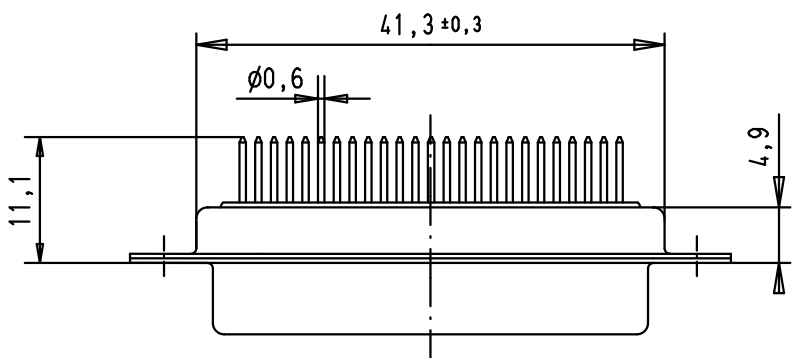
D
C
B
A



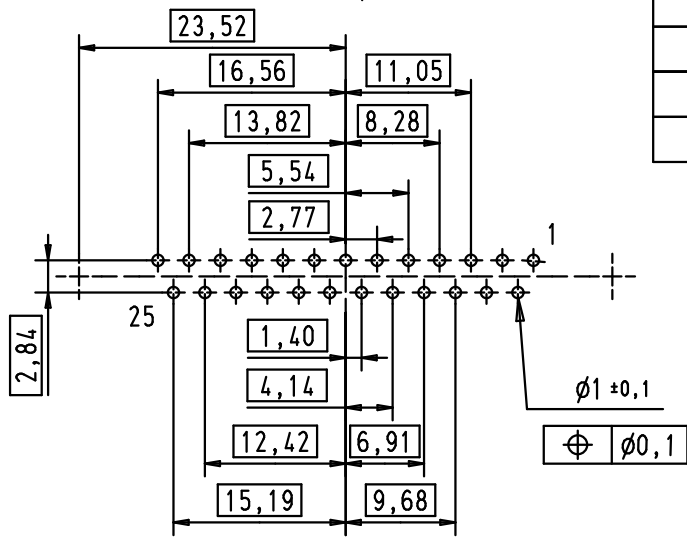
SPECIFICATION

Performance level	PL2
Filter type	C
Capacitance	1000pf±20%
Working Voltage	100v
Current Rating	7.5A
Insulation Resistance	>1GΩ

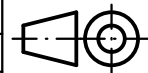
FREQUENCY (MHz)	ATTENUATION (dB)
5	1dB
10	3dB
50	12dB
100	20dB
500	34dB
1000	30dB



PCB Layout Component side



Mod.	Dot.	Name	Detail.	Dot.	Name
36283	09/12/11	SD	Insp.	09/12/11	JB
33274	30/11/05	JMDR	Stand.		
32234	05/10/04	TR			
31058	8-JUL-02	CV			
			HARTING EURL F-95972 Paris		



All Dim. in mm
Orig. Size DIN A 4



D-Sub, female, straight,
25 Poles, turned solder pins
fixing holes

TB 09643127230
Sub.

Mo?Mstab/
Scale
1.5:1
Blatt/ Page
1 / 1