

PP-RJ-SCC - Patch panels



2703018

<https://www.phoenixcontact.com/us/products/2703018>

Please be informed that the data shown in this PDF document is generated from our Online Catalog. Please find the complete data in the user documentation. Our General Terms of Use for Downloads are valid.



Patch panel, RJ45 jack on Push-in terminal blocks, 10/100/1000 Mbps, DIN rail adapter, IP20, shield contacting with strain relief

Product Description

Ethernet patch panels enable quick and easy connection between the field cabling and control cabinet cabling. The passive termination panels are a convenient alternative to the on-site assembly of RJ45 connectors.

Your advantages

- Extended temperature range of -40 °C ... +75 °C
- Fast connection of the field cable
- Wiring space covered with front panel cover
- Tool-free shield contacting with strain relief
- Shipbuilding approval in accordance with DNV GL
- PoE-capable in accordance with IEEE 802.3bt, type 4

Commercial Data

Item number	2703018
Packing unit	1 pc
Minimum order quantity	1 pc
Sales Key	C19
Product Key	DNC334
Catalog Page	Page 361 (C-6-2019)
GTIN	4055626462882
Weight per Piece (including packing)	108.4 g
Weight per Piece (excluding packing)	105 g
Customs tariff number	85369010
Country of origin	DE

PP-RJ-SCC - Patch panels



2703018

<https://www.phoenixcontact.com/us/products/2703018>

Technical Data

Notes

Utilization restriction

CCCex note	Use in potentially explosive areas is not permitted in China.
------------	---

Product properties

Product type	Patch panel
MTTF	105699 Years

Insulation characteristics

Overvoltage category	II
Pollution degree	2

Electrical properties

Rated insulation voltage	85 V DC
--------------------------	---------

Interfaces

Data: Ethernet interface, 10/100/1000Base-T(X) in accordance with IEEE 802.3

Serial transmission speed	10/100/1000 Mbps
Frequency range	125 MHz
Connection method	Push-in connection
Pin assignment	1:1
Transmission length	100 m (including patch cables)
Conductor cross section flexible max.	1.5 mm ²
Conductor cross section flexible min.	0.2 mm ²
Conductor cross section, flexible, with ferrule, with plastic sleeve	0.25 mm ² ... 1.5 mm ² (only together with CRIMPFOX 6)
Conductor cross section flexible, with ferrule without plastic sleeve	0.25 mm ² ... 1.5 mm ² (only together with CRIMPFOX 6)
Conductor cross section solid max.	1.5 mm ²
Conductor cross section solid min.	0.2 mm ²
Max. AWG conductor cross section, flexible	16
Min. AWG conductor cross section, flexible	26
Single-wire/terminal point, solid AWG max.	16
Single-wire/terminal point, solid AWG min.	26
Stripping length	8 mm
Transmission medium	Copper
Output nominal voltage	< 60 V (ATEX approval) < 57 V DC (in acc. with UL)
Maximum output power	60 W
Maximum output current	725 mA (Per channel)

Data: Ethernet interface, 10/100/1000Base-T(X) in accordance with IEEE 802.3

Connection method	RJ45 jack
-------------------	-----------

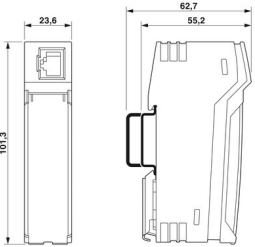
PP-RJ-SCC - Patch panels



2703018

<https://www.phoenixcontact.com/us/products/2703018>

Dimensions

Dimensional drawing	
Width	23.8 mm
Height	101.3 mm
Depth	50 mm

Material specifications

Material	Plastic
Flammability rating according to UL 94	V0

Cable/line

External cable diameter	5.5 mm ... 6.5 mm
-------------------------	-------------------

Environmental and real-life conditions

Ambient conditions

Degree of protection	IP20 (Manufacturer's declaration)
Ambient temperature (operation)	-40 °C ... 75 °C
Ambient temperature (storage/transport)	-40 °C ... 85 °C
Altitude	≤ 5000 m (For restrictions, see the manufacturer's declaration for altitude operation) ≤ 2000 m (Restrictions for ATEX applications)
Permissible humidity (operation)	10 % ... 95 % (non-condensing)

Approval data

CE

Certificate	CE-compliant
-------------	--------------

ATEX

Identification	<input type="checkbox"/> II 3 G Ex nA IIC Gc U
Note	Please follow the special installation instructions in the documentation!

UL, USA

Certificate	UL 60079-0 Ed. 6 / UL 60079-15 Ed. 4
-------------	--------------------------------------

UL, Canada

Certificate	CSA 22.2 No. 60079-0 Ed. 3 / CSA 22.2 No. 60079-15:16
-------------	---

PP-RJ-SCC - Patch panels



2703018

<https://www.phoenixcontact.com/us/products/2703018>

Corrosive gas test

Identification	ISA-S71.04-1985 G3 Harsh Group A
----------------	----------------------------------

Shipbuilding

Identification	DNV GL
----------------	--------

DNV GL data

Temperature	D
Humidity	B
Vibration	B
EMC	B

Mounting

Mounting type	DIN rail mounting, stationary
---------------	-------------------------------

PP-RJ-SCC - Patch panels

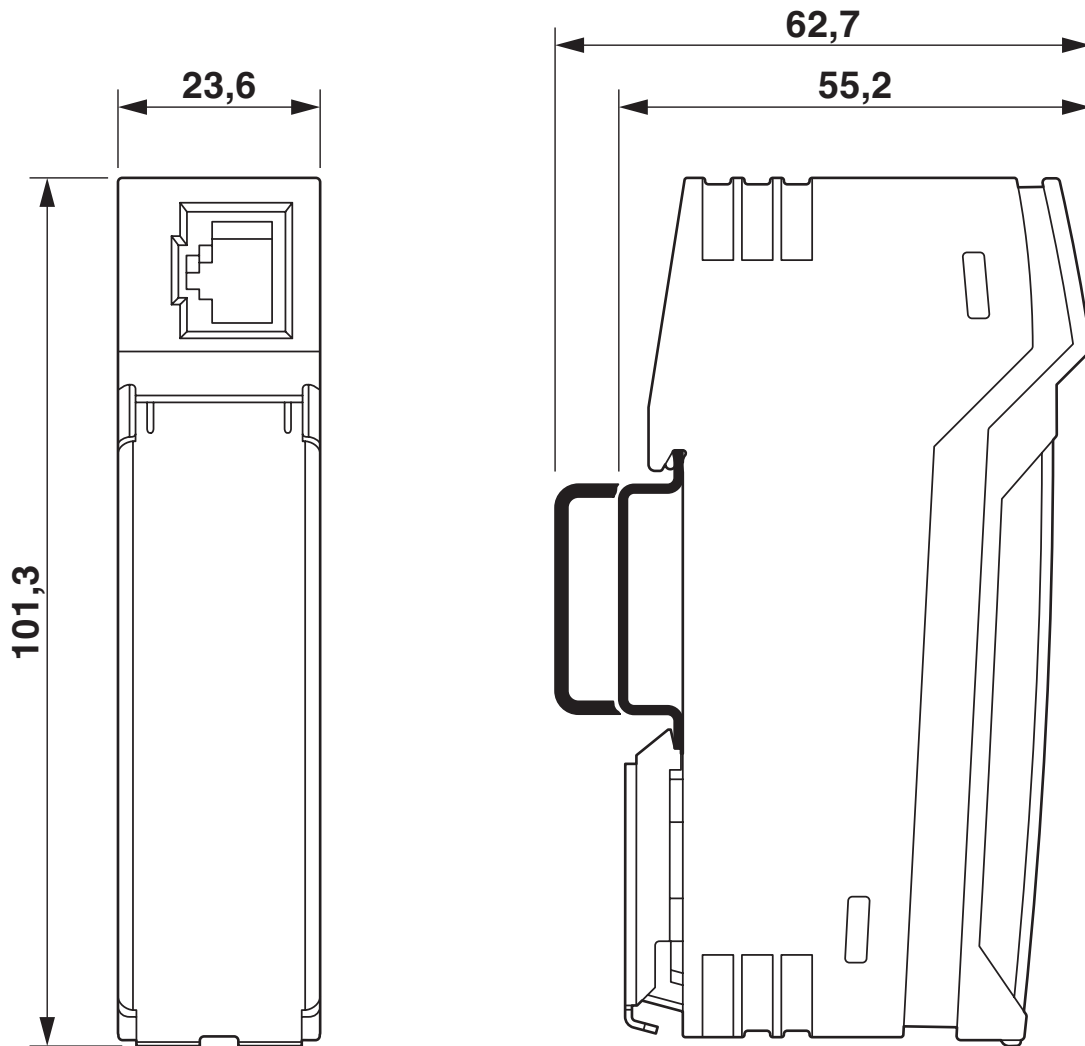
2703018

<https://www.phoenixcontact.com/us/products/2703018>



Drawings

Dimensional drawing



Compact housing

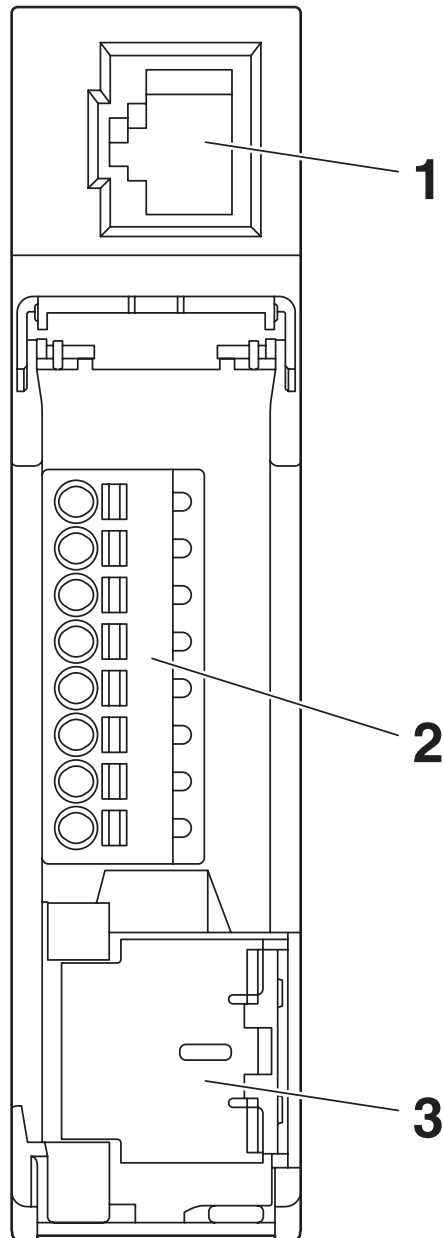
PP-RJ-SCC - Patch panels

2703018

<https://www.phoenixcontact.com/us/products/2703018>



Schematic diagram



Front view

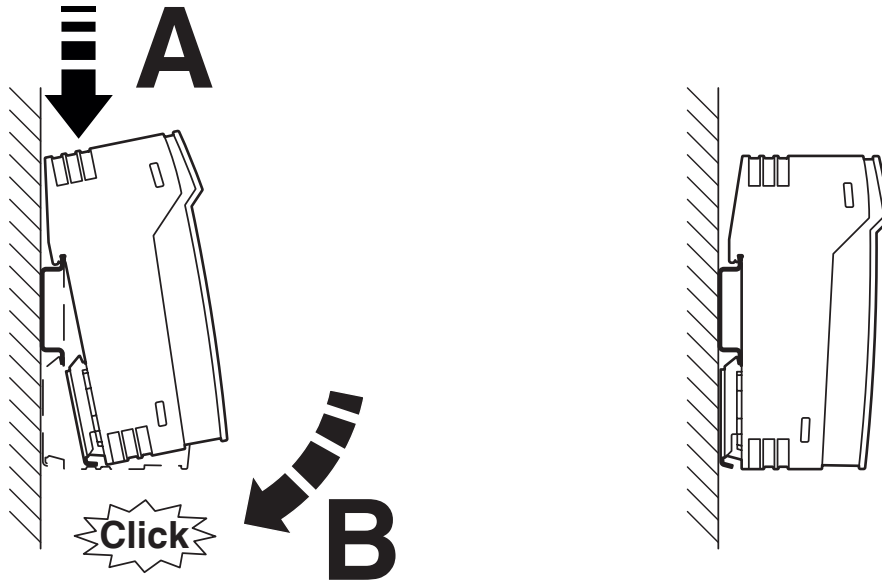
PP-RJ-SCC - Patch panels

2703018

<https://www.phoenixcontact.com/us/products/2703018>



Schematic diagram



Mounting on a DIN rail

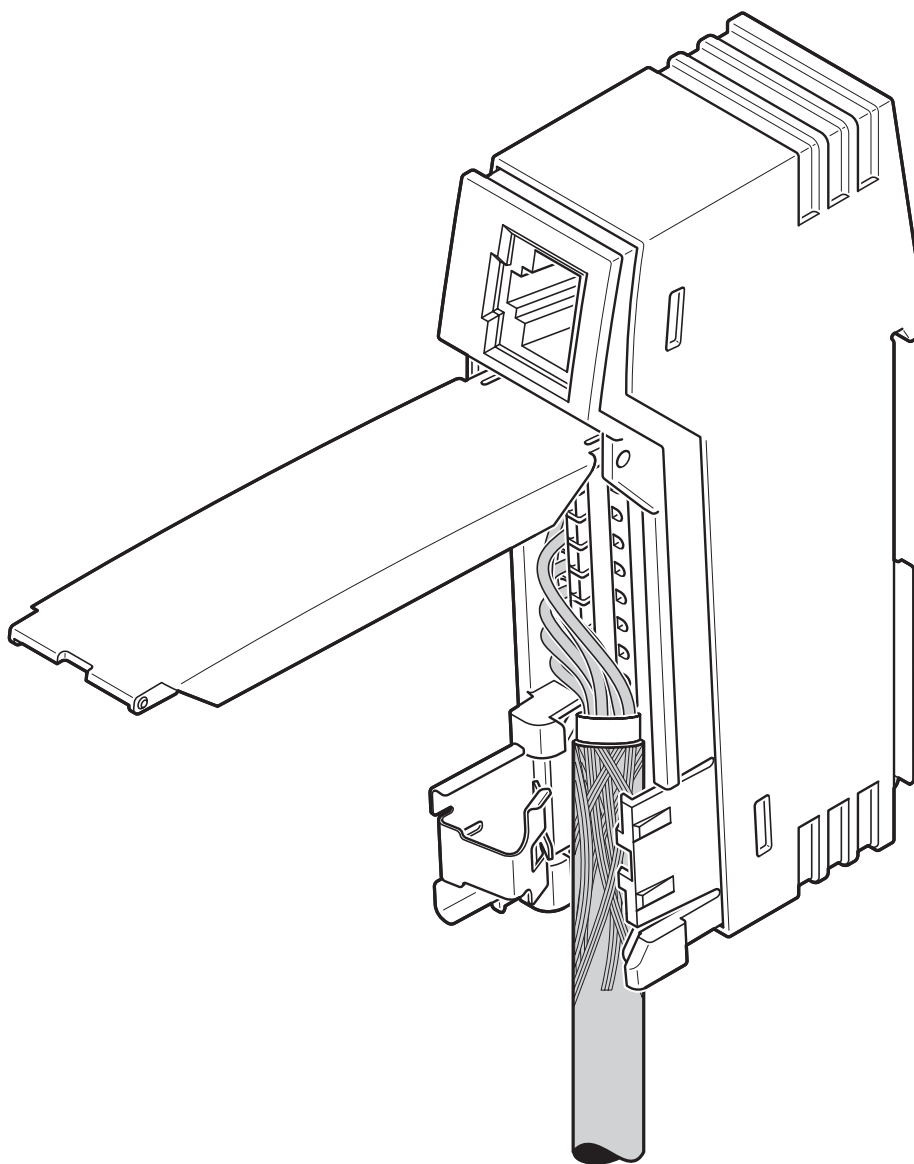
PP-RJ-SCC - Patch panels

2703018

<https://www.phoenixcontact.com/us/products/2703018>



Schematic diagram



Inserting the cable

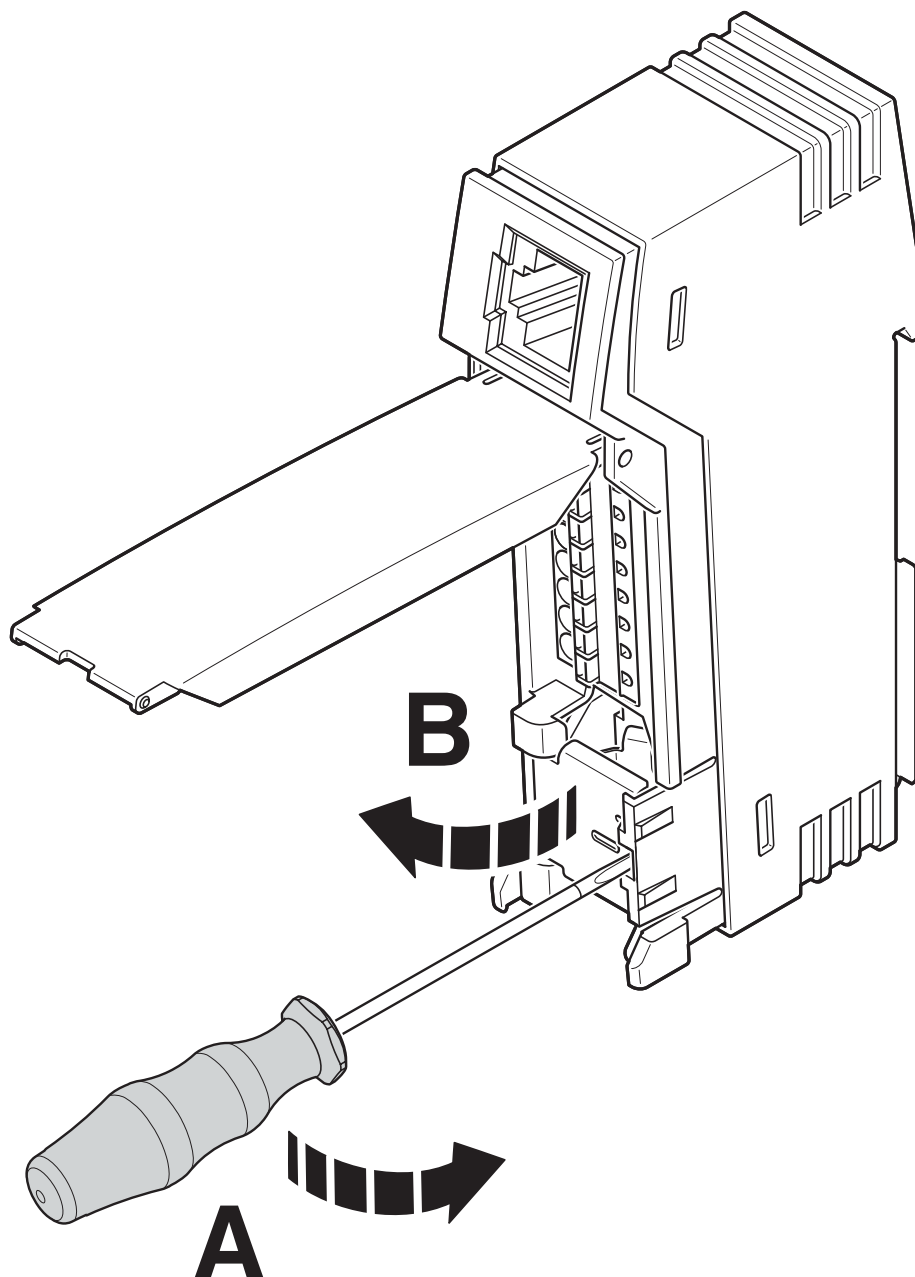
PP-RJ-SCC - Patch panels

2703018

<https://www.phoenixcontact.com/us/products/2703018>



Schematic diagram



Open shield contact spring

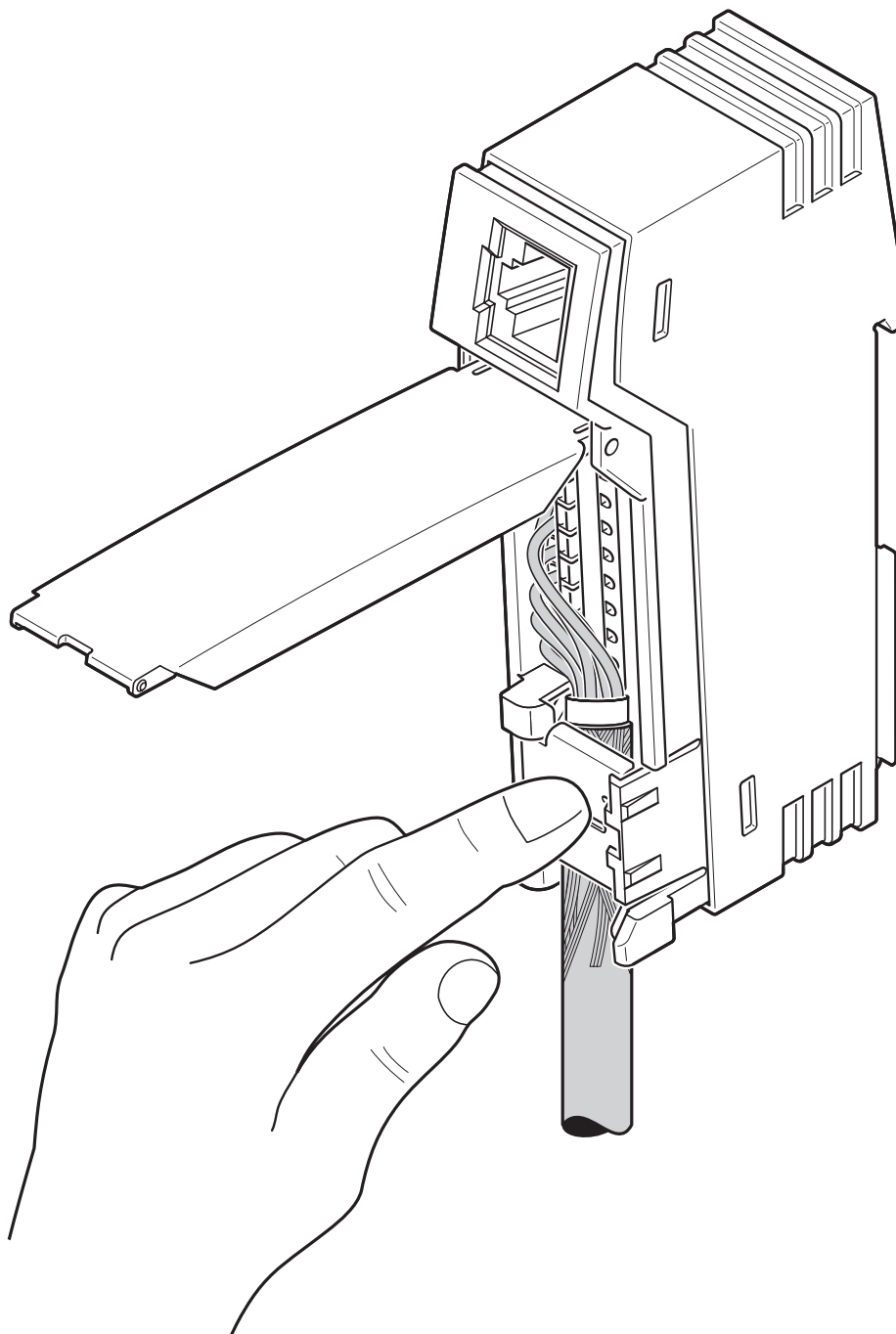
PP-RJ-SCC - Patch panels

2703018

<https://www.phoenixcontact.com/us/products/2703018>



Schematic diagram



Close shield contact spring

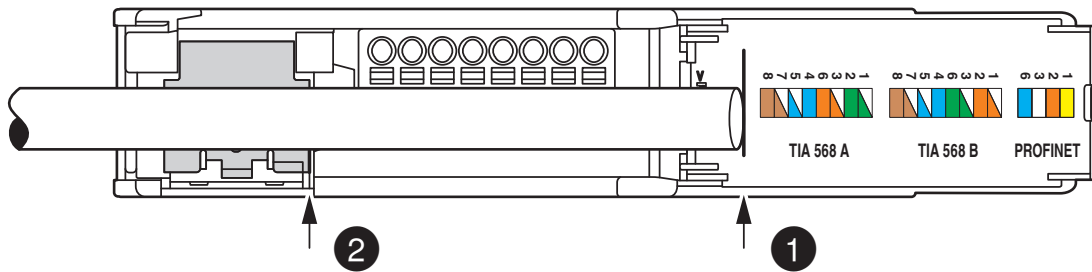
PP-RJ-SCC - Patch panels



2703018

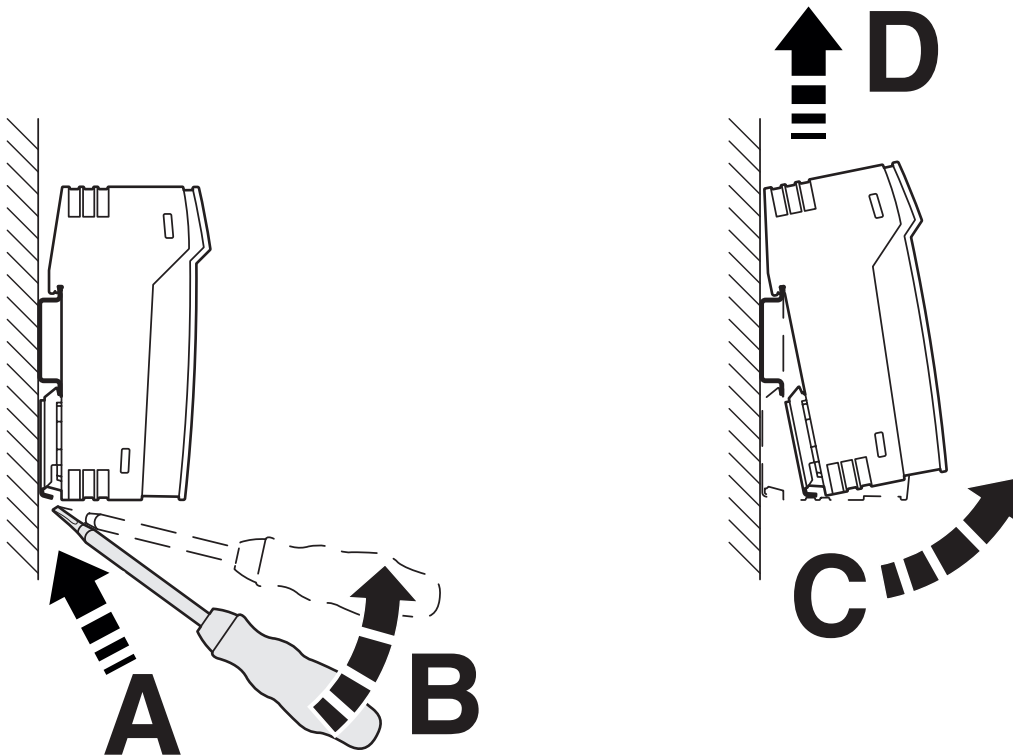
<https://www.phoenixcontact.com/us/products/2703018>

Schematic diagram



Stripping length

Schematic diagram



Removal

PP-RJ-SCC - Patch panels





2703018


<https://www.phoenixcontact.com/us/products/2703018>


Approvals

 DNV GL Approval ID: TAA00001KR				
	Nominal Voltage U_N	Nominal Current I_N	Cross Section AWG	Cross Section mm^2
			-	-

 **UL Listed**
Approval ID: FILE E 238705

 **cUL Listed**
Approval ID: FILE E 238705

 **ATEX**
Approval ID: PxCIF18ATEX2703015U

 **cUL Listed**
Approval ID: FILE E 366272

 **UL Listed**
Approval ID: FILE E 366272

cULus Listed

cULus Listed

PP-RJ-SCC - Patch panels



2703018

<https://www.phoenixcontact.com/us/products/2703018>

Classifications

ECLASS

ECLASS-9.0	19170112
ECLASS-10.0.1	19170112
ECLASS-11.0	19170112

ETIM

ETIM 8.0	EC002697
----------	----------

UNSPSC

UNSPSC 21.0	43223300
-------------	----------

PP-RJ-SCC - Patch panels

2703018

<https://www.phoenixcontact.com/us/products/2703018>



Environmental Product Compliance

China RoHS	Environmentally friendly use period: unlimited = EFUP-e
	No hazardous substances above threshold values

PP-RJ-SCC - Patch panels

2703018

<https://www.phoenixcontact.com/us/products/2703018>



Accessories

PP-RJ-RJ-F - Patch panels

2703020

<https://www.phoenixcontact.com/us/products/2703020>



Patch panel, two RJ45 jacks, 10/100/1000 Mbps, DIN rail adapter, IP20, shield current monitoring, surge protection

PP-RJ-SC-F - Patch panels

2703021

<https://www.phoenixcontact.com/us/products/2703021>



Patch panel, RJ45 jack on screw terminal blocks, 10/100/1000 Mbps, DIN rail adapter, IP20, shield contacting with strain relief, shield current monitoring, surge protection

PP-RJ-SCC - Patch panels

2703018

<https://www.phoenixcontact.com/us/products/2703018>



PP-RJ-SCC-F - Patch panels

2703022

<https://www.phoenixcontact.com/us/products/2703022>



Patch panel, RJ45 jack on Push-in terminal blocks, 10/100/1000 Mbps, DIN rail adapter, IP20, shield contacting with strain relief, shield current monitoring, surge protection

PP-RJ-IDC-F - Patch panels

2703023

<https://www.phoenixcontact.com/us/products/2703023>



Patch panel, RJ45 jack on IDC terminal blocks, 10/100/1000 Mbps, DIN rail adapter, IP20, shield contacting with strain relief, shield current monitoring, surge protection

PP-RJ-SCC - Patch panels

2703018

<https://www.phoenixcontact.com/us/products/2703018>



FL CRIMPTOOL - Assembly tool

2744869

<https://www.phoenixcontact.com/us/products/2744869>

Crimping pliers, for assembling the RJ45 plugs FL PLUG RJ45..., for assembly on site



FL CAT5 FLEX CONF/ - Network cable

2744843

<https://www.phoenixcontact.com/us/products/2744843>

CAT5-SF/UTP cable (J-LI02YS(ST)C H 2 x 2 x 26 AWG), light-duty, flexible installation cable 2 x 2 x 0.14 mm², stranded, shielded, outer sheath: 5.75 mm ± 0.15 mm diameter, preassembled on both sides with RJ45 plug, crossover or line assignment



PP-RJ-SCC - Patch panels



2703018

<https://www.phoenixcontact.com/us/products/2703018>

FL ISOLATOR 100-RJ/SC - Network isolator

2313928

<https://www.phoenixcontact.com/us/products/2313928>



Passive network isolator for electrical isolation in Ethernet networks. This protects Ethernet devices from potential differences of up to 4 kV. Can be used for transmission speeds of up to 100 Mbps. Connection using RJ45 and COMBICON plug-in screw terminal block.

FL ISOLATOR 100-RJ/RJ - Network isolator

2313931

<https://www.phoenixcontact.com/us/products/2313931>



Passive network isolator for electrical isolation in Ethernet networks. This protects Ethernet devices from potential differences of up to 4 kV. Can be used for transmission speeds of up to 100 Mbps. Possible to connect two RJ45 plugs.

PP-RJ-SCC - Patch panels

2703018

<https://www.phoenixcontact.com/us/products/2703018>



FL ISOLATOR 1000-RJ/RJ - Network isolator

2313915

<https://www.phoenixcontact.com/us/products/2313915>



Passive network isolator for electrical isolation in Ethernet networks. This protects Ethernet devices from potential differences of up to 4 kV. Can be used for transmission speeds of up to 1 Gbps. Possible to connect two RJ45 plugs.

FL ISOLATOR 100-M12 - Network isolator

2902985

<https://www.phoenixcontact.com/us/products/2902985>



Passive network isolator for electrical isolation in Ethernet networks. For the protection of Ethernet devices against potential differences of up to 4 kV. Can be used for transmission speeds of up to 100 Mbps. Ethernet connection via two M12 sockets (D-coded).

PP-RJ-SCC - Patch panels

2703018

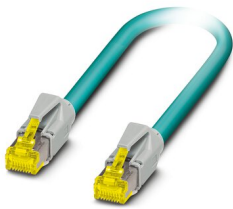
<https://www.phoenixcontact.com/us/products/2703018>



NBC-R4AC-R4AC-IE8A/.../... - Patch cable

1411854

<https://www.phoenixcontact.com/us/products/1411854>

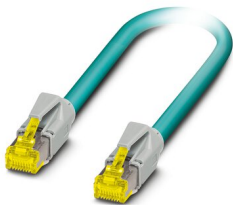


Patch cable, degree of protection: IP20, number of positions: 8, 10 Gbps, CAT6_A, cable outlet: straight, Ethernet

NBC-R4AC/10G-R4AC/10G-94F/2,0 - Patch cable

1408360

<https://www.phoenixcontact.com/us/products/1408360>



Patch cable, CAT6_A, 4-pair, shielded, connection not crossed (line), assembled at both ends with RJ45/IP20 connectors, outer sheath material: PUR, length: 2.0 m

PP-RJ-SCC - Patch panels

2703018

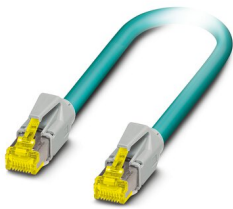
<https://www.phoenixcontact.com/us/products/2703018>



NBC-R4AC/10G-R4AC/10G-94F/3,0 - Patch cable

1408365

<https://www.phoenixcontact.com/us/products/1408365>



Patch cable, CAT6_A, 4-pair, shielded, connection not crossed (line), assembled at both ends with RJ45/IP20 connectors, outer sheath material: PUR, length: 3.0 m

NBC-R4AC/1,0-93B/R4AC - Patch cable

1408968

<https://www.phoenixcontact.com/us/products/1408968>



Patch cable, degree of protection: IP20, cable length: 1 m, number of positions: 4, 100 Mbps, CAT5, material: PA 6.6, PROFINET

PP-RJ-SCC - Patch panels

2703018

<https://www.phoenixcontact.com/us/products/2703018>



NBC-R4AC/2,0-93B/R4AC - Patch cable

1408969

<https://www.phoenixcontact.com/us/products/1408969>



Patch cable, degree of protection: IP20, cable length: 2 m, number of positions: 4, 100 Mbps, CAT5, material: PA 6.6, PROFINET

FL CAT5 PATCH 0,3 - Patch cable

2832250

<https://www.phoenixcontact.com/us/products/2832250>



Patch cable, CAT5, assembled, 0.3 m

PP-RJ-SCC - Patch panels

2703018

<https://www.phoenixcontact.com/us/products/2703018>



FL CAT5 PATCH 0,5 - Patch cable

2832263

<https://www.phoenixcontact.com/us/products/2832263>

Patch cable, CAT5, assembled, 0.5 m



FL CAT5 PATCH 1,0 - Patch cable

2832276

<https://www.phoenixcontact.com/us/products/2832276>

Patch cable, CAT5, assembled, 1 m



PP-RJ-SCC - Patch panels

2703018

<https://www.phoenixcontact.com/us/products/2703018>



FL CAT5 PATCH 1,5 - Patch cable

2832221

<https://www.phoenixcontact.com/us/products/2832221>

Patch cable, CAT5, assembled, 1.5 m



FL CAT5 PATCH 2,0 - Patch cable

2832289

<https://www.phoenixcontact.com/us/products/2832289>

Patch cable, CAT5, assembled, 2 m



PP-RJ-SCC - Patch panels

2703018

<https://www.phoenixcontact.com/us/products/2703018>



FL CAT5 PATCH 3,0 - Patch cable

2832292

<https://www.phoenixcontact.com/us/products/2832292>



Patch cable, CAT5, assembled, 3 m

VS-08-RJ45-10G/Q - RJ45 connector

1419001

<https://www.phoenixcontact.com/us/products/1419001>



RJ45 connector, design: RJ45, degree of protection: IP20, number of positions: 8, 10 Gbps, CAT6_A, material: Plastic, connection method: Insulation displacement connection, cable outlet: straight, color: black, Ethernet

PP-RJ-SCC - Patch panels

2703018

<https://www.phoenixcontact.com/us/products/2703018>



VS-PN-RJ45-5-Q/IP20 - RJ45 connector

1658435

<https://www.phoenixcontact.com/us/products/1658435>



RJ45 connector, design: RJ45, degree of protection: IP20, number of positions: 4, 100 Mbps, CAT5 (IEC 11801:2002), material: Plastic, connection method: Insulation displacement connection, cable outlet: straight, color: traffic grey A RAL 7042, PROFINET

VS-CABLE-STRIP-VARIO - Stripping tool

1657407

<https://www.phoenixcontact.com/us/products/1657407>

Stripping tool, for the multi-level stripping of shielded cables



PP-RJ-SCC - Patch panels



2703018

<https://www.phoenixcontact.com/us/products/2703018>

VS-08-RJ45-5-Q/IP20 - RJ45 connector

1656725

<https://www.phoenixcontact.com/us/products/1656725>



RJ45 connector, design: RJ45, degree of protection: IP20, number of positions: 8, 1 Gbps, CAT5 (IEC 11801:2002), material: Plastic, connection method: Insulation displacement connection, connection cross section: AWG 26- 23, cable outlet: straight, color: traffic grey A RAL 7042, Ethernet

VS-08-RJ45-5-Q/IP20 BK - RJ45 connector

1658008

<https://www.phoenixcontact.com/us/products/1658008>



RJ45 connector, design: RJ45, degree of protection: IP20, number of positions: 8, 1 Gbps, CAT5 (IEC 11801:2002), material: Plastic, connection method: Insulation displacement connection, connection cross section: AWG 26- 23, cable outlet: straight, color: black, Ethernet

PP-RJ-SCC - Patch panels

2703018

<https://www.phoenixcontact.com/us/products/2703018>



SZF 0-0,4X2,5 - Screwdriver

1204504

<https://www.phoenixcontact.com/us/products/1204504>



Actuation tool, for ST terminal blocks, also suitable for use as a bladed screwdriver, size: 0.4 x 2.5 x 75 mm, 2-component grip, with non-slip grip

MICROFOX-SP - Diagonal cutter

1212488

<https://www.phoenixcontact.com/us/products/1212488>



Electronic diagonal cutter, tapered head, angled (21°), without chamfer, with opening spring

PP-RJ-SCC - Patch panels

2703018

<https://www.phoenixcontact.com/us/products/2703018>



VS-OE-OE-94F/... - Data cable

1417359

<https://www.phoenixcontact.com/us/products/1417359>



Data cable, Ethernet CAT6_A (10 Gbps), 8-position halogen-free, shielded, free cable end, on free cable end, cable length: Free entry (0.5 ... 400 m)

FL-PP-RJ45-SC - Patch panels

2901643

<https://www.phoenixcontact.com/us/products/2901643>



Patch panel, one RJ45 jack to 8 screw connection terminal blocks (1:1 assignment), CAT5e, 10/100/1000 Mbps, DIN rail adapter, IP20, option of shield contacting to the DIN rail via jumpers

PP-RJ-SCC - Patch panels

2703018

<https://www.phoenixcontact.com/us/products/2703018>



FL-PP-RJ45-LSA - Patch panels

2901645

<https://www.phoenixcontact.com/us/products/2901645>



Patch panel, one RJ45 jack to 8 LSA connection terminal blocks (1:1 assignment), CAT5e, 10/100/1000 Mbps, DIN rail adapter, IP20, option of shield contacting to the DIN rail via bridges

FL-PP-RJ45/RJ45 - Patch panels

2901646

<https://www.phoenixcontact.com/us/products/2901646>



Patch panel, two RJ45 jacks (1:1 assignment), CAT5e, 10/100/1000 Mbps, DIN rail adapter, IP20, option of shield contacting to the DIN rail via jumpers

Phoenix Contact 2023 © - all rights reserved
<https://www.phoenixcontact.com>

Phoenix Contact USA
586 Fulling Mill Road
Middletown, PA 17057, United States
(+717) 944-1300
info@phoenixcon.com