

Spacer for adjustment [TS series] (100pcs/pack)

- When using OQ-43, HQ-3, MK series, etc. to mount PC boards by two-tiered installation, the constant height is maintained by fitting one spacer of this type respectively on the both sides and at the center. (TS-10 series)
- This can be also used to raise an electronic part or maintain a constant height.
- Various usages are available.
- Material: Fluorine resin (UL VW-1) black
- Heat resistance: Dip, manual soldering or reflow can be carried out.
- Operating temperature range:-40 to +240°C

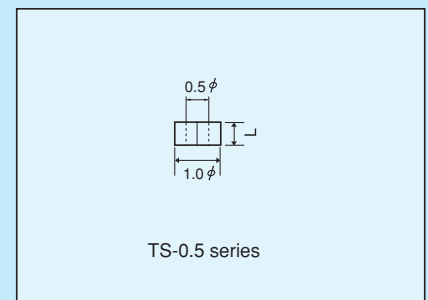
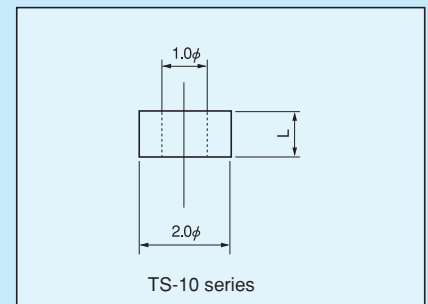


Part number

Part number	L (mm)
TS-10- 0.5	0.5
TS-10- 1.0	1.0
TS-10- 1.5	1.5
TS-10- 2.0	2.0
TS-10- 2.5	2.5
TS-10- 3.0	3.0
TS-10- 3.5	3.5
TS-10- 4.0	4.0
TS-10- 4.5	4.5
TS-10- 5.0	5.0
TS-10- 6.0	6.0
TS-10- 7.0	7.0
TS-10- 8.0	8.0
TS-10- 9.0	9.0
TS-10-10.0	10.0

Part number	L (mm)
TS-0.5- 1.0	1.0
TS-0.5- 1.5	1.5
TS-0.5- 2.0	2.0
TS-0.5- 2.5	2.5
TS-0.5- 3.0	3.0
TS-0.5- 3.5	3.5
TS-0.5- 4.0	4.0
TS-0.5- 4.5	4.5
TS-0.5- 5.0	5.0
TS-0.5- 6.0	6.0
TS-0.5- 7.0	7.0
TS-0.5- 8.0	8.0
TS-0.5- 9.0	9.0
TS-0.5-10.0	10.0

Dimension



Instructions for use

Please note that the external diameter has been deformed due to the nature of resin.

Example of usage

