

THE INFORMATION CONTAINED HEREIN IS CONSIDERED "PROPRIETARY" TO BEL FUSE INC. AND SHALL NOT BE COPIED, REPRODUCED OR DISCLOSED WITHOUT THE WRITTEN APPROVAL OF BEL FUSE INC.

LED1 POLARITY			LED2 POLARITY		
PIN 7	PIN 8	COLOR	PIN 9	PIN 10	COLOR
-	+	YELLOW	+	-	ORANGE
/	/	/	-	+	GREEN

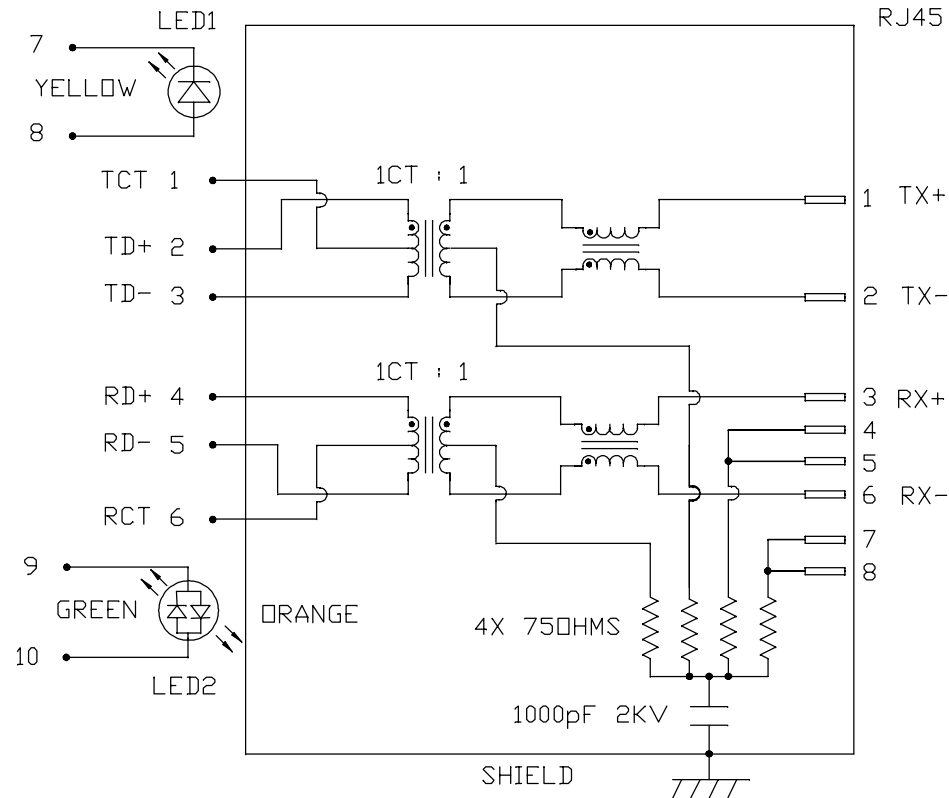
RoHS



ELECTRICAL CHARACTERISTICS @ 25°C

TURNS RATIO TX RX OCL @ 100kHz/100mVRMS 8mA DC BIAS INS. LOSS 1MHz TO 100MHz RET. LOSS (MIN) 1MHz-30MHz 30MHz-60MHz 60MHz-80MHz CROSS TALK (TX - RX) 500kHz-1MHz 10 MHz 30 MHz 50 MHz 100 MHz CM TO CM REJ 100kHz-1MHz 10 MHz 30 MHz 60 MHz 100 MHz CM TO DM REJ 100kHz-1MHz 10 MHz 30 MHz 60 MHz 100 MHz HIPOT (Isolation Voltage): 100% OF PRODUCTION TESTED TO COMPLY WITH IEEE 802.3 ISOLATION REQUIREMENTS. OPERATING TEMPERATURE: 0°C TO +70°C.	1CT : 1 1CT : 1 350µH MIN. -1.0 dB MAX -18 dB -18+20LOG(F/30MHz) dB -12 dB -70 dB MIN -50 dB MIN -45 dB MIN -40 dB MIN -35 dB MIN -70 dB MIN -47 dB MIN -42 dB MIN -37 dB MIN -30 dB MIN -70 dB MIN -60 dB MIN -50 dB MIN -45 dB MIN -40 dB MIN 1500 Vrms 0°C TO +70°C.
--	--

SCHEMATIC



LED 1	VF (FORWARD VOLTAGE)	IF=20mA	YELLOW 2.1V TYP.
	λD (DOMINANT WAVELENGTH)	IF=20mA	YELLOW 590nm TYP.
LED 2	VF (FORWARD VOLTAGE)	IF=20mA	ORANGE 2.0V TYP.
	λD (DOMINANT WAVELENGTH)	IF=20mA	ORANGE 605nm TYP.
			GREEN 2.2V TYP.
			GREEN 570nm TYP.

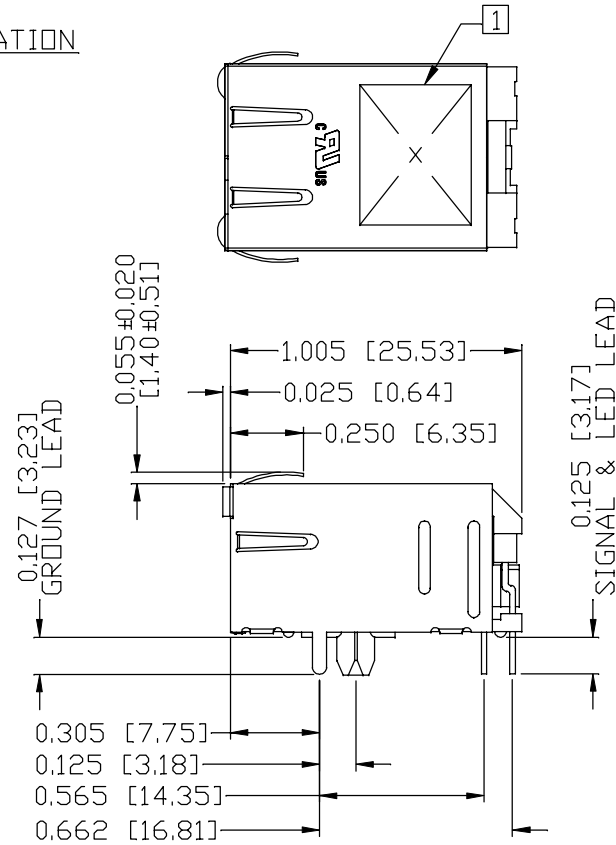
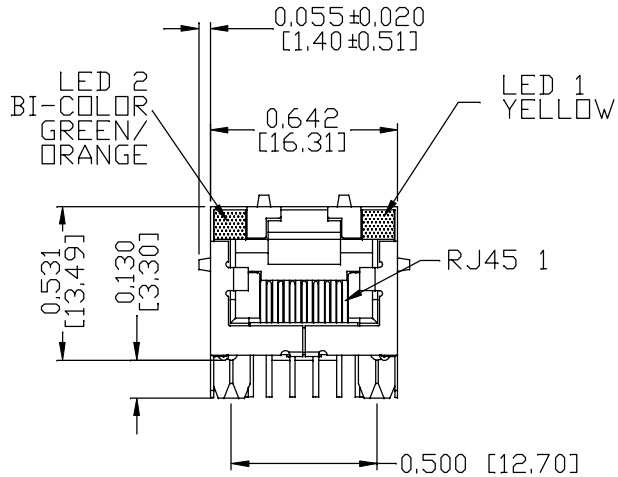
REV. :	F	PAGE :	2
--------	---	--------	---

a bel group

ORIGINATED BY CHOW WANCHUNG DATE 2017-03-06	TITLE MagJack® (4 Cores, MDIX, CM Termination)	PART NO. / DRAWING NO. 08B01X1T06-F	STANDARD DIM. TOL. IN INCH	[] METRIC DIM. AS REF.
DRAWN BY XIE YIMING DATE 2017-03-06	08B0-1X1T-06-F	FILE NAME 08B01X1T06-F_F.DWG	.X .XX .XXX	UNIT : INCH [mm] SCALE : N/A SIZE : A4

THE INFORMATION CONTAINED HEREIN IS CONSIDERED "PROPRIETARY" TO BEL FUSE INC. AND SHALL NOT BE COPIED, REPRODUCED OR DISCLOSED WITHOUT THE WRITTEN APPROVAL OF BEL FUSE INC.

MECHANICAL SPECIFICATION



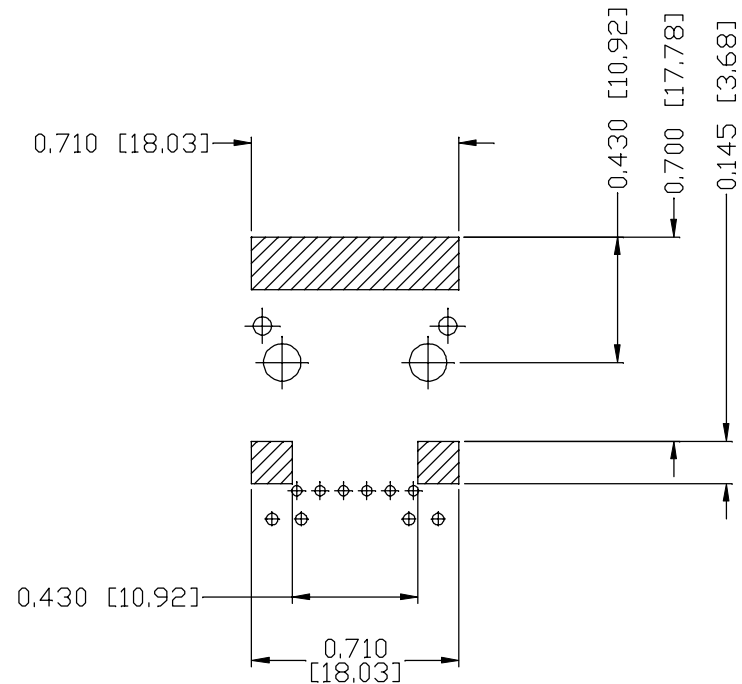
NOTES:

- PLASTIC HOUSING: THERMOPLASTIC PBT, BLACK
FLAMMABILITY RATING UL 94V-0
- CONTACTS PLATING: 15 MICRO-INCH HARD GOLD PLATING OR EQUIVALENT
- PINS: TIN-COATED COPPER WIRE, DIA 0.018 INCH,
100 MICRO-INCH MIN MATTE TIN, PINS ARE SOLDER DIPPED,
- METAL SHIELD: PRE-PLATED NICKEL ON COPPER ALLOY,
(ALL GROUND LEADS ARE SOLDER DIPPED)
- MARK PART WITH MFG LOGO, MFG NAME, PART NUMBER AND DATE CODE.
- UL RECOGNIZED - FILE #E196366 AND E169987.
- 2. THE PRODUCT IS RoHS COMPLIANT.
- 3. JACK CAVITY CONFORMS TO FCC RULES AND REGULATIONS,
PART 68 SUBPART F.

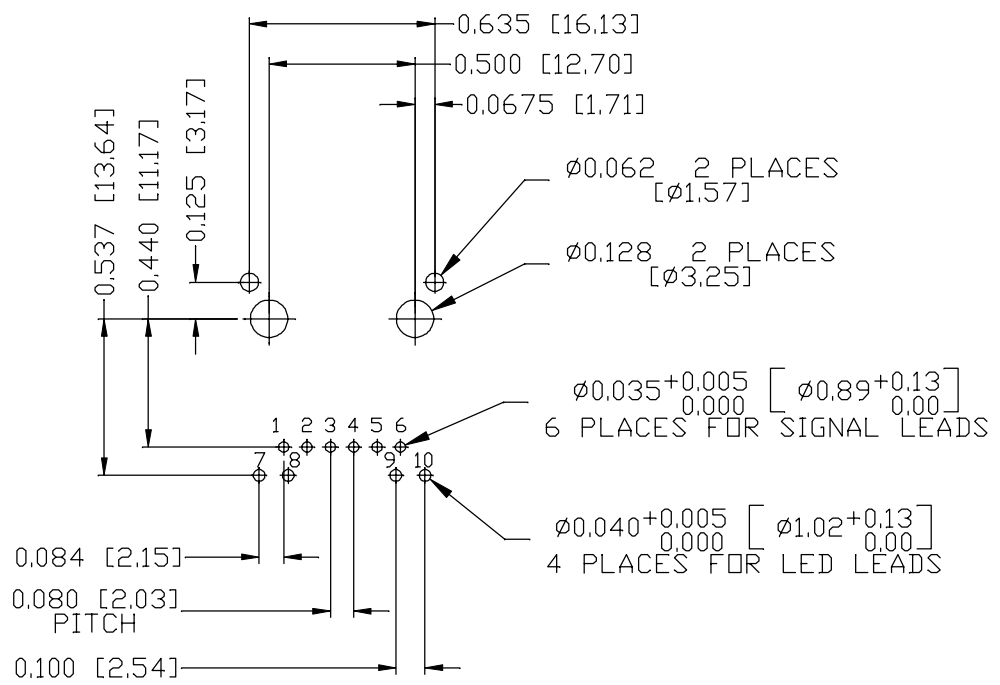
5. THE PART IS RECOMMENDED FOR WAVE SOLDERING. THE SUGGESTED PEAK WAVE SOLDERING CONDITION IS 260°C MAX AND 10 SECONDS MAX.

ORIGINATED BY ANTON LIAO DATE 2017-03-06		TITLE MagJack® (4 Cores, MDIX, CM Termination) 08B0-1X1T-06-F		PART NO. / DRAWING NO. 08B01X1T06-F		STANDARD DIM. [] METRIC DIM. TOL. IN INCH AS REF.		REV. : F PAGE : 3	
DRAWN BY JESSE LI DATE 2017-03-06				FILE NAME 08B01X1T06-F_F.DWG		UNIT : INCH [mm] SCALE : N/A			
						SIZE : A4			

THE INFORMATION CONTAINED HEREIN IS CONSIDERED "PROPRIETARY" TO BEL FUSE INC. AND SHALL NOT BE COPIED, REPRODUCED OR DISCLOSED WITHOUT THE WRITTEN APPROVAL OF BEL FUSE INC.



RECOMMENDED PCB FOOTPRINT
COMPONENT SIDE VIEW



NOTES:

THE SHADED AREA ON THE CUSTOMER BOARD ARE RECOMMENDED TO BE CLEAR OFF ANY VIA HOLE OR COMPONENT PAD.

ORIGINATED BY ANTON LIAO	TITLE MagJack® (4 Cores, MDIX, CM Termination)
DATE 2017-03-06	
DRAWN BY JESSE LI	
DATE 2017-03-06	

PART NO. / DRAWING NO. 08B01X1T06-F
FILE NAME 08B01X1T06-F_F.DWG

STANDARD DIM. TOL. IN INCH	[] METRIC DIM. AS REF.
.X	UNIT : INCH [mm]
.XX	SCALE : N/A
.XXX ±0.004	SIZE : A4

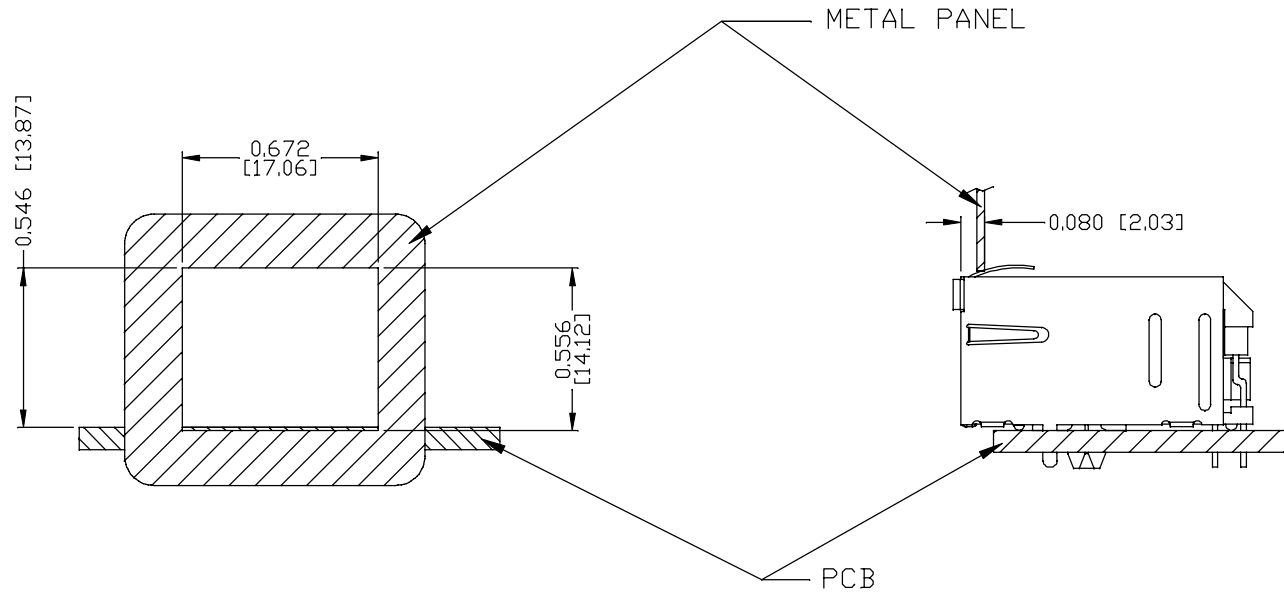
REV. : F	PAGE : 4
----------	----------



THE INFORMATION CONTAINED HEREIN IS CONSIDERED "PROPRIETARY" TO BEL FUSE INC. AND SHALL NOT BE COPIED, REPRODUCED OR DISCLOSED WITHOUT THE WRITTEN APPROVAL OF BEL FUSE INC.



SUGGESTED PANEL OPENING



NOTE:

THE DISTANCE OF PANEL INSIDE SURFACE RELATIVE TO FRONT SURFACE OF PART IS ONLY A SUGGESTION. IN CASE THIS DISTANCE IS DIFFERENT, THE REQUIRED PANEL OPENING DIMENSIONS CHANGE ACCORDINGLY.

PACKING INFORMATION

PACKING TRAY : 0200-9999-D4(TOP)

0200-9999-D5(BOTTOM)

PACKING QUANTITY : 60 PCS FINISHED GOODS PER TRAY

11 TRAYS (660 PCS FINISHED GOODS) PER CARTON BOX

NOTE : CARDBOARDS ARE PLACED BETWEEN LAYERS OF PACKING TRAY INSIDE CARTON BOX
(INCLUDE THE UPPERMOST AND LOWERMOST TRAY)

REV. :	F	PAGE :	5
		[] METRIC DIM. AS REF.	
		UNIT : INCH [mm]	
		SCALE : N/A	
		SIZE : A4	

ORIGINATED BY ANTON LIAO	TITLE MagJack® (4 Cores, MDIX, CM Termination)	PART NO. / DRAWING NO. 08B01X1T06-F	STANDARD DIM. TOL. IN INCH	[] METRIC DIM. AS REF.
DATE 2017-03-06		FILE NAME 08B01X1T06-F_F.DWG	.X	UNIT : INCH [mm]
DRAWN BY JESSE LI			.XX	SCALE : N/A
DATE 2017-03-06			.XXX ±0.004	SIZE : A4