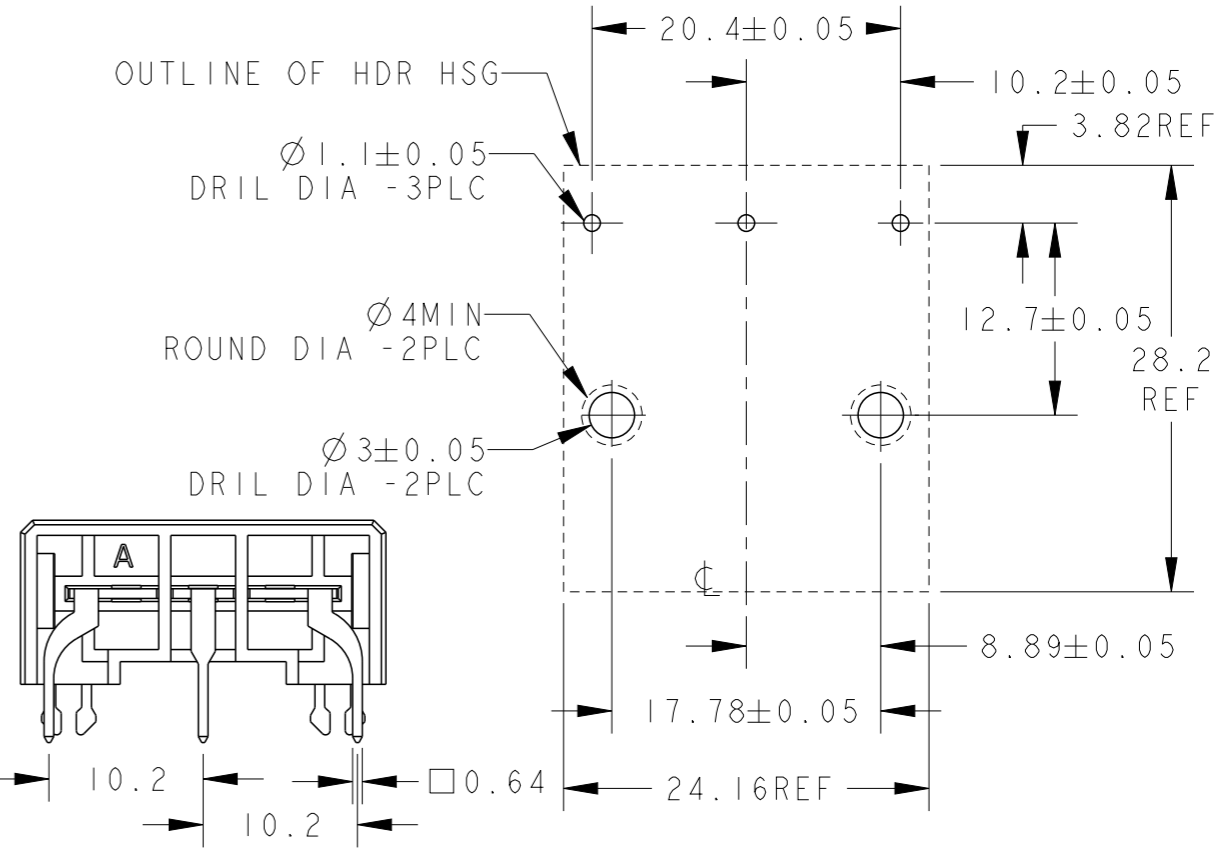
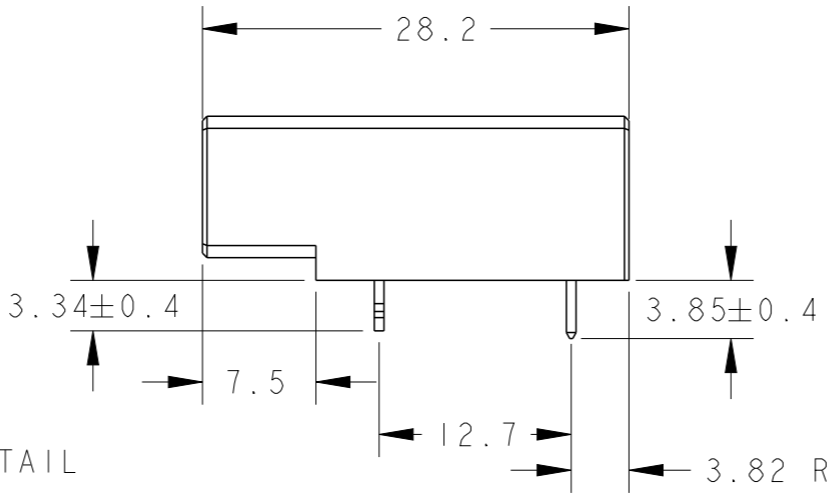
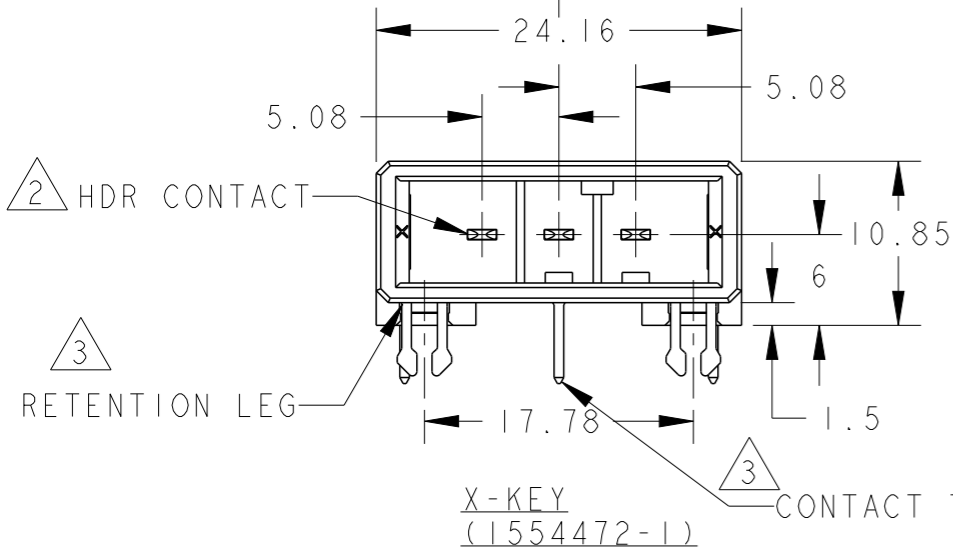
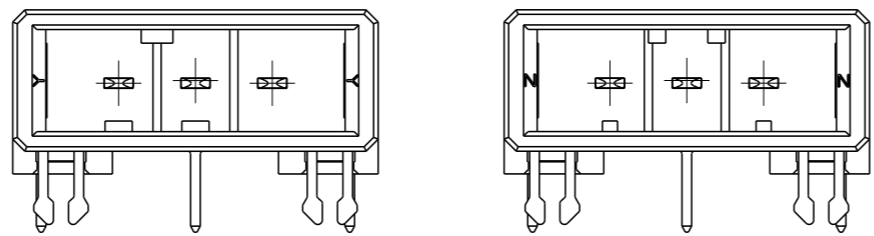
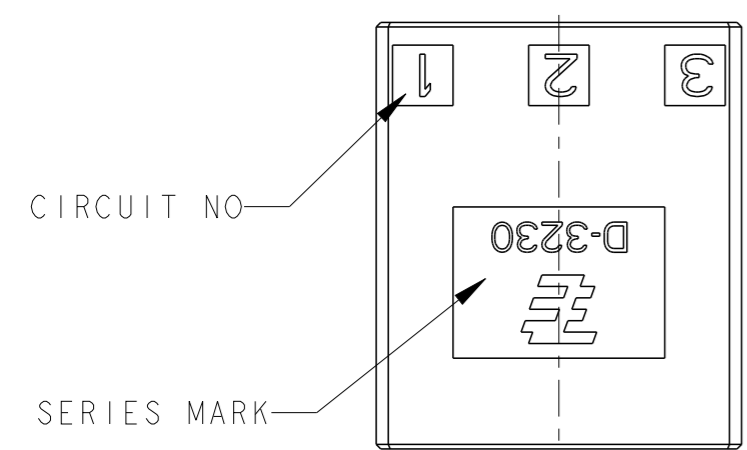


REVISIONS					
P	LTR	DESCRIPTION	DATE	DWN	APVD
B		REVISED, ECR-17-000440	12JAN2017	H.O	N.Y
C		REVISED PER ECR-25-250757	15JUL2025	F.Z	R.B




NOTES

1. MATERIAL: HOUSING: GLASS FILED THERMO PLASTIC, POLYESTER
 CONTACT: COPPER ALLOY
 RETENTION LEG: COPPER ALLOY

2. FINISH: 0.38 μm PdNi & Au PLATING OVER NICKEL

3. FINISH: TIN PLATING OVER NICKEL

THIS DRAWING IS A CONTROLLED DOCUMENT.		DWN T. SAMI 11DEC2009	 TE Connectivity NAME D3230 HDR ASSY 3POS.			
DIMENSIONS: mm		CHK N. YAMASAKI 11DEC2009				
TOLERANCES UNLESS OTHERWISE SPECIFIED: ± 0.3		APVD T. KIMURA 11DEC2009				
ϕ PLC ± 1 PLC ± 2 PLC ± 3 PLC ± 4 PLC ± ANGLES ±5 FINISH		PRODUCT SPEC 108-5349				
MATERIAL		APPLICATION SPEC	SIZE	CAGE CODE	DRAWING NO	RESTRICTED TO
		WEIGHT 5.31g	A3	00779	C-1554472	-
CUSTOMER DRAWING			SCALE 2:1	SHEET 1 OF 1	REV C	