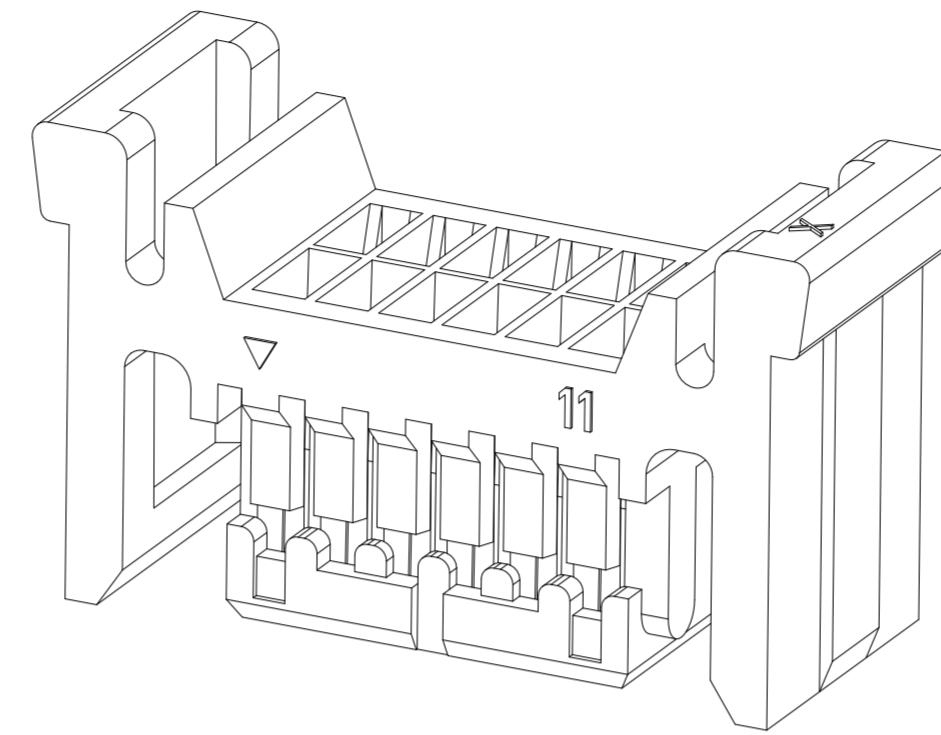
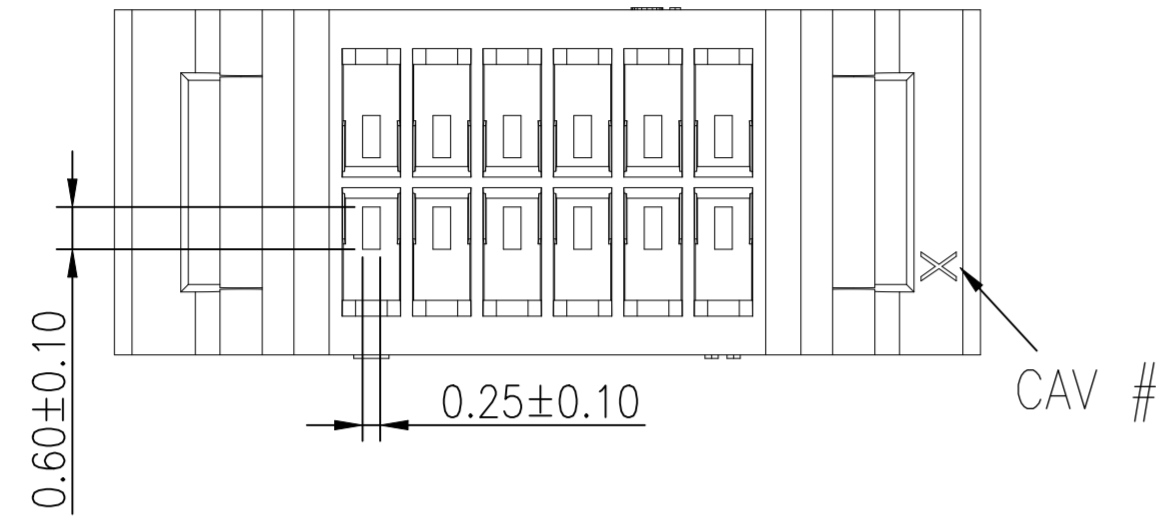
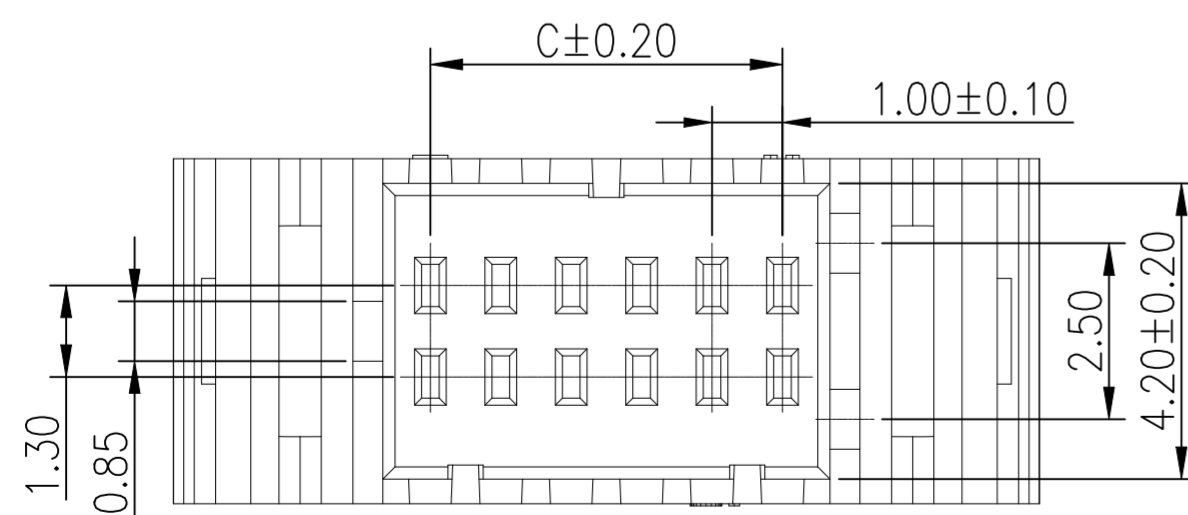
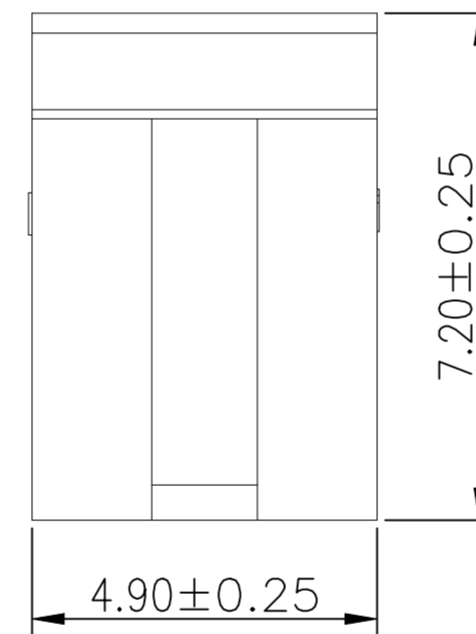
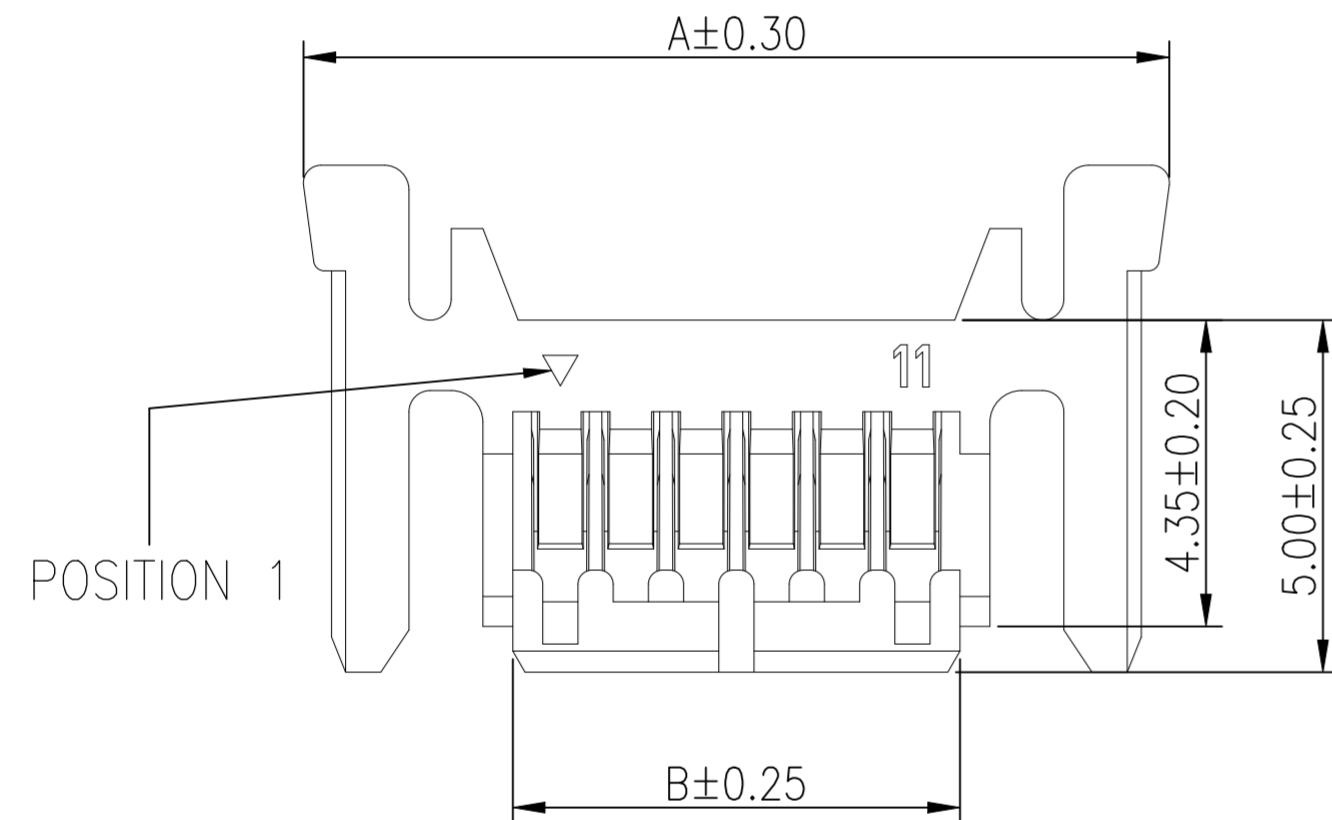


REVISIONS					
P	LTR	DESCRIPTION	DATE	DWN	APVD
A		Released to Production	06APR2026	M.S	J.M



Specifications:

- Voltage Rating: 50V AC,DC
- Rated Current : 1A AC,DC
- Withstand Voltage : 500V AC/minute
- Contact Resistance: 20mΩ Max.
- Insulation Resistance: 100MΩ Min.
- Temperature Range : -25°C~+85°C
- The product using material and processing must conform to the "WI-PZ-142"HSF technical standard control requirements

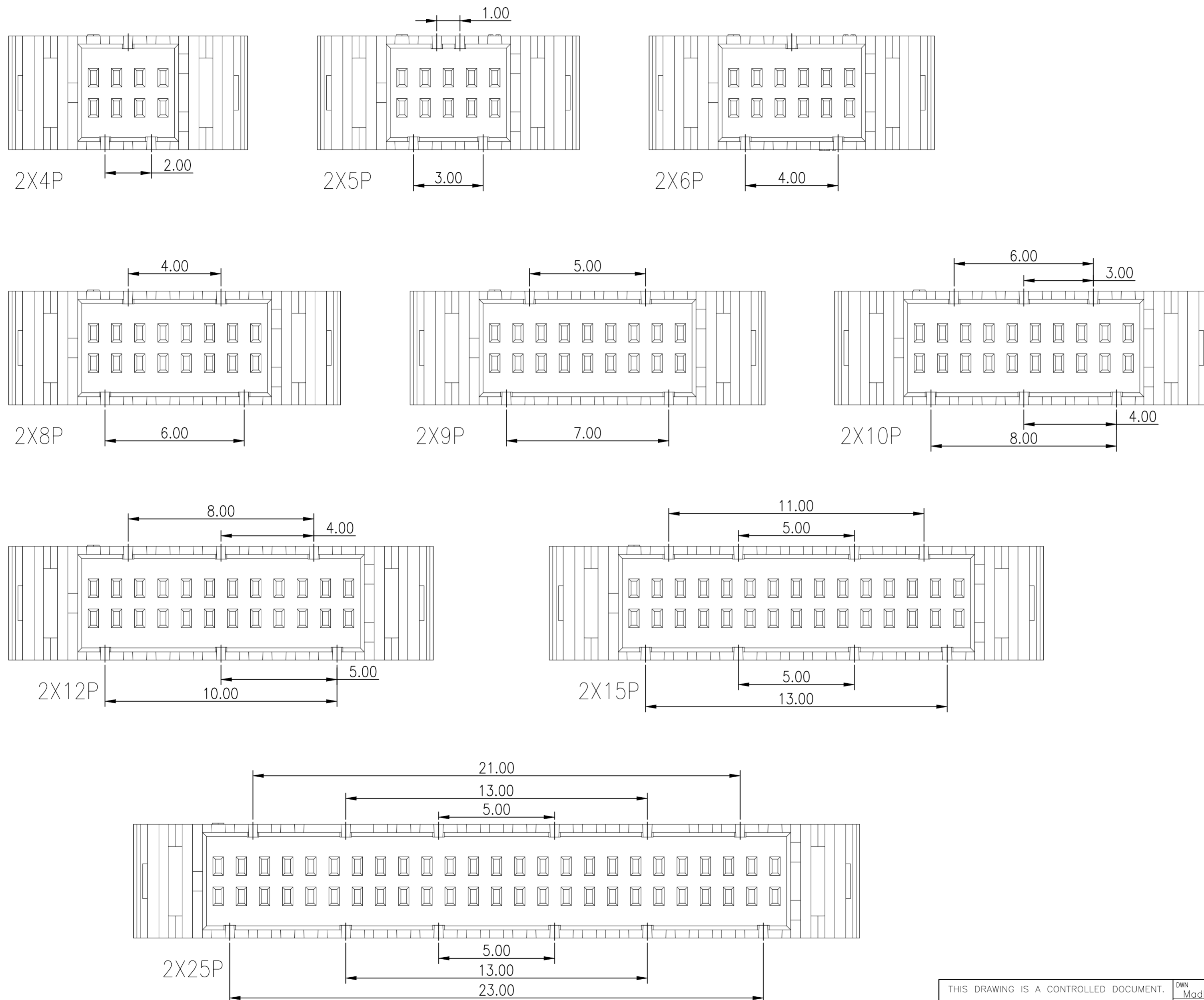


TCPN	Position No	Dimensions		
		A	B	C
2538950-1	2X4P	10.30	4.35	3.00
2538950-2	2X5P	11.30	5.35	4.00
2538950-3	2X6P	12.30	6.35	5.00
2538950-5	2X8P	14.30	8.35	7.00
2538950-6	2X9P	15.30	9.35	8.00
2538950-7	2X10P	16.30	10.35	9.00
2538950-9	2X12P	18.30	12.35	11.00
1-2538950-0	2X15P	21.30	15.35	14.00
1-2538950-4	2X25P	31.30	25.35	24.00

Material  
Nylon 66,UL94V-0, Natural

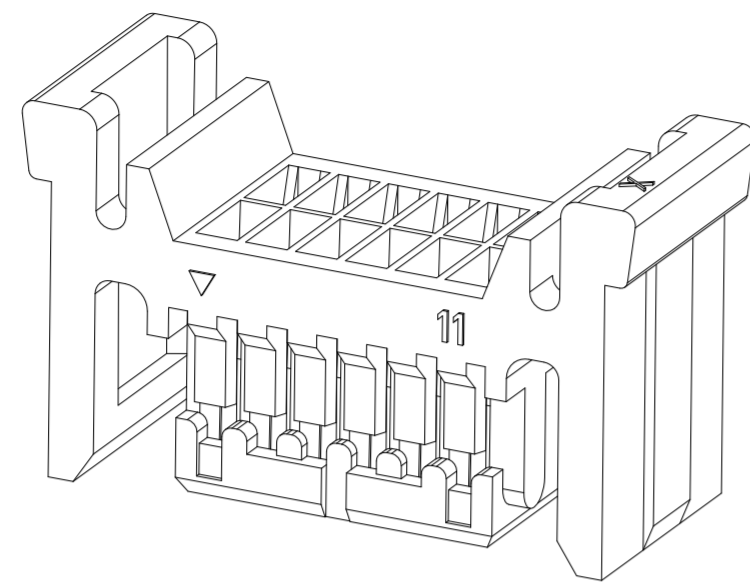
THIS DRAWING IS A CONTROLLED DOCUMENT.		DWN Madhan S 03FEB2026	TE Connectivity	
DIMENSIONS: mm [INCHES]		CHK Madhan S 03FEB2026		
TOLERANCES UNLESS OTHERWISE SPECIFIED:		APVD Jagru M 03FEB2026	NAME -	
0 PLC ± -		PRODUCT SPEC 108-162481	1mm 2 Row External Locking HPI Housing	
1 PLC ± 0.25		APPLICATION SPEC 114-161919	SIZE A2	RESTRICTED TO -
2 PLC ± 0.15		WEIGHT 0	CAGE CODE 00779	DRAWING NO C=2538950
3 PLC ± 0.08		CUSTOMER DRAWING	SCALE 1:1	SHEET 1 of 3
4 PLC ± -			REV A	
ANGLES ± 3°				
FINISH -				
MATERIAL See Table				

P	LTR	DESCRIPTION	DATE	DWN	APVD
-	-	SEE SHEET 1	-	-	-

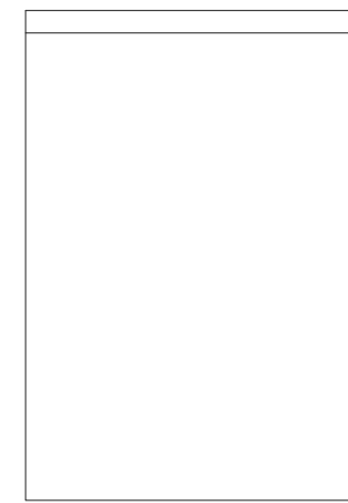


THIS DRAWING IS A CONTROLLED DOCUMENT.		DWN Madhan S 03FEB2026		
DIMENSIONS: mm [INCHES]		CHK Madhan S 03FEB2026		
TOLERANCES UNLESS OTHERWISE SPECIFIED:		APVD Jagruti M 03FEB2026	NAME -	
<ul style="list-style-type: none"> <li>0 PLC ± -</li> <li>1 PLC ± 0.25</li> <li>2 PLC ± 0.15</li> <li>3 PLC ± 0.08</li> <li>4 PLC ± -</li> <li>ANGLES ± 3°</li> </ul>		PRODUCT SPEC 108-162481	1mm 2 Row External Locking HPI Housing	
MATERIAL See Table		FINISH -	APPLICATION SPEC 114-161919	RESTRICTED TO -
		WEIGHT 0	SIZE A2	CAGE CODE 00779
		CUSTOMER DRAWING	DRAWING NO C=2538950	SCALE 1:1
			SHEET 2 of 3	REV A

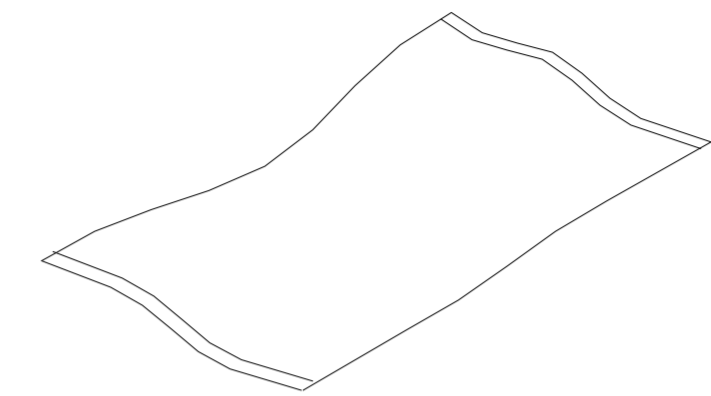
REVISIONS					
P	LTR	DESCRIPTION	DATE	DWN	APVD
-	-	SEE SHEET 1	-	-	-



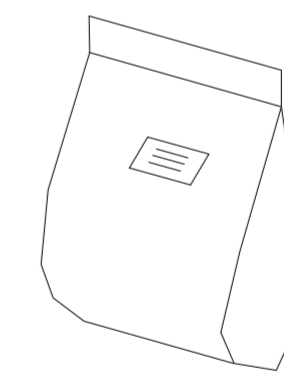
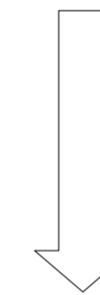
Housing



PE Bag  
NO.1



NO.2



NO.3



NO.4

1. Put the finished products into PE bags according to the quantity and seal them
  2. Put the packed PE bag into the cardboard box
  3. Seal the cardboard box with transparent tape
  4. The inner packaging label should be affixed directly above the "recycling label";
- The outer box label is neatly affixed to the "PRODUCE ID" mark on the outer box
5. For packaging quantity and other detailed information, please refer to the packaging details

POSITION	Packing quantity in PE bag	The number of outer carton packs
2X4P	1000 PCS	5000 PCS
2X5P	1000 PCS	5000 PCS
2X6P	1000 PCS	5000 PCS
2X8P	1000 PCS	5000 PCS
2X9P	1000 PCS	5000 PCS
2X10P	1000 PCS	5000 PCS
2X12P	1000 PCS	5000 PCS
2X15P	1000 PCS	5000 PCS
2X25P	1000 PCS	5000 PCS

THIS DRAWING IS A CONTROLLED DOCUMENT.		DWN Madhan S 03FEB2026	<b>STE</b> TE Connectivity	
DIMENSIONS: mm [INCHES]		CHK Madhan S 03FEB2026		
TOLERANCES UNLESS OTHERWISE SPECIFIED:		APVD Jagruti M 03FEB2026	NAME -	
0 PLC ± -		PRODUCT SPEC 108-162481	1mm 2 Row External Locking HPI Housing	
1 PLC ± 0.25		APPLICATION SPEC 114-161919	SIZE A2	CAGE CODE 00779
2 PLC ± 0.15		WEIGHT 0	DRAWING NO C=2538950	RESTRICTED TO -
3 PLC ± 0.08		FINISH -	SCALE 1:1	SHEET 3 of 3
4 PLC ± -		MATERIAL See Table	CUSTOMER DRAWING	REV A
ANGLES ± 3°				