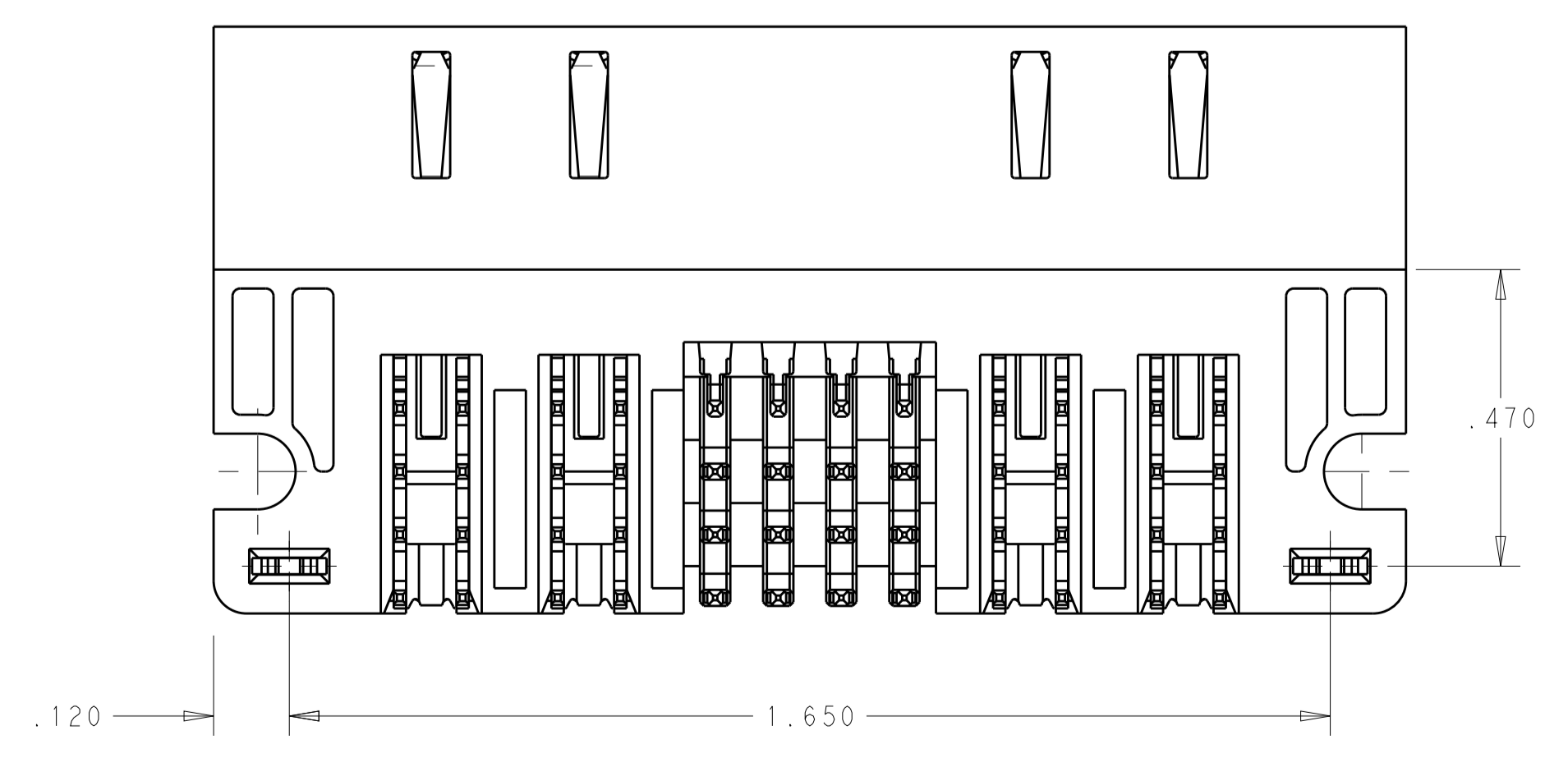
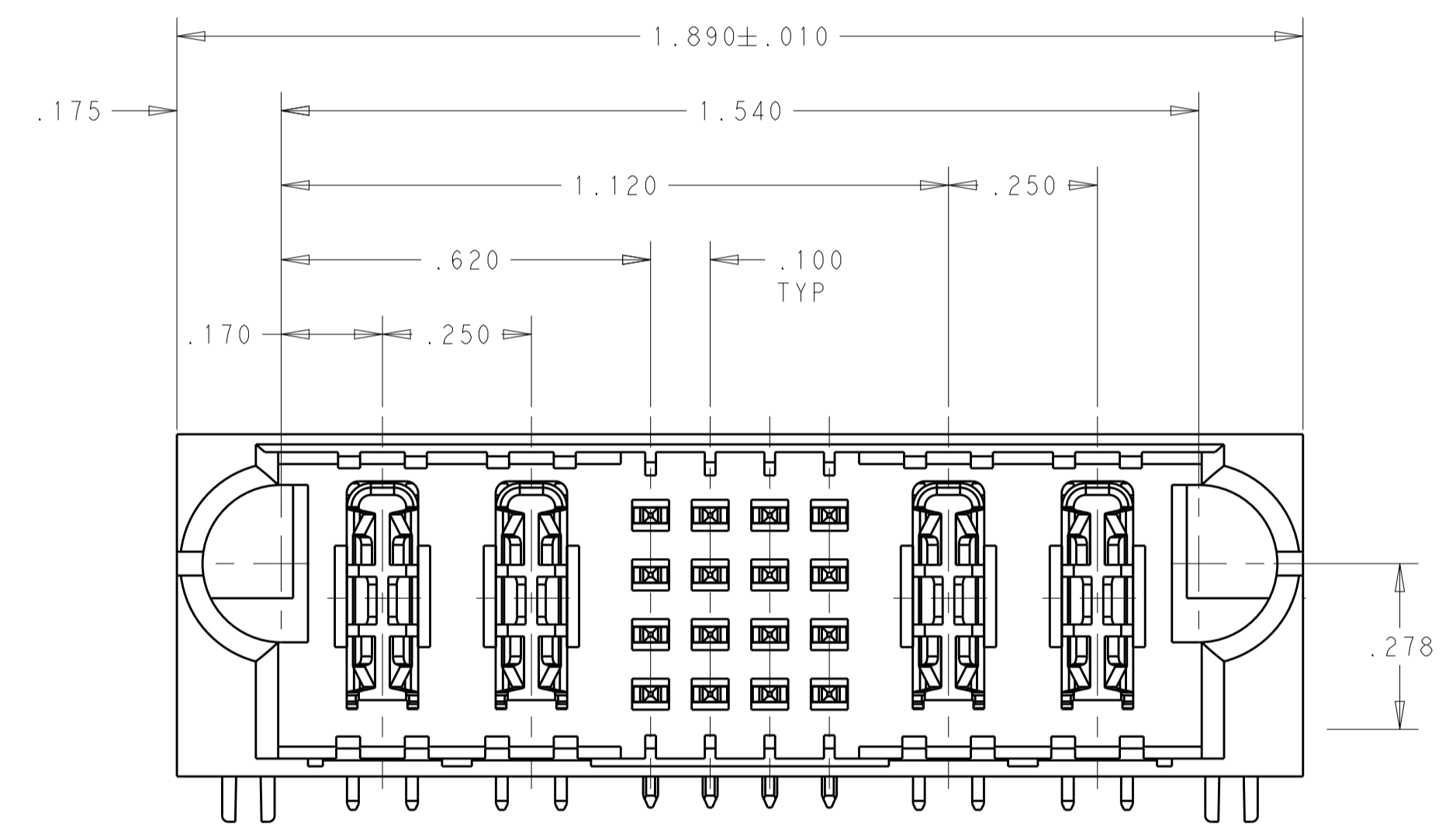
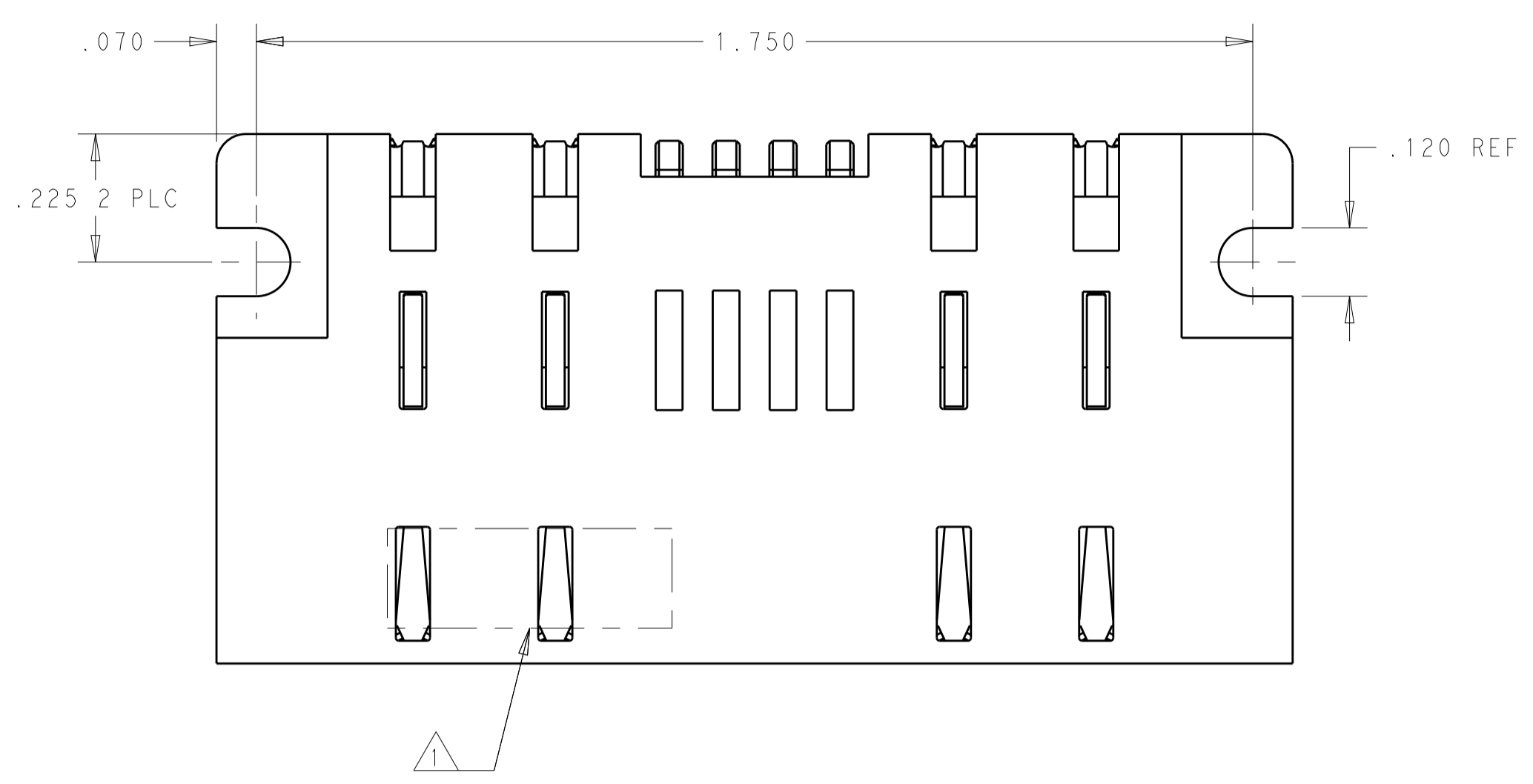
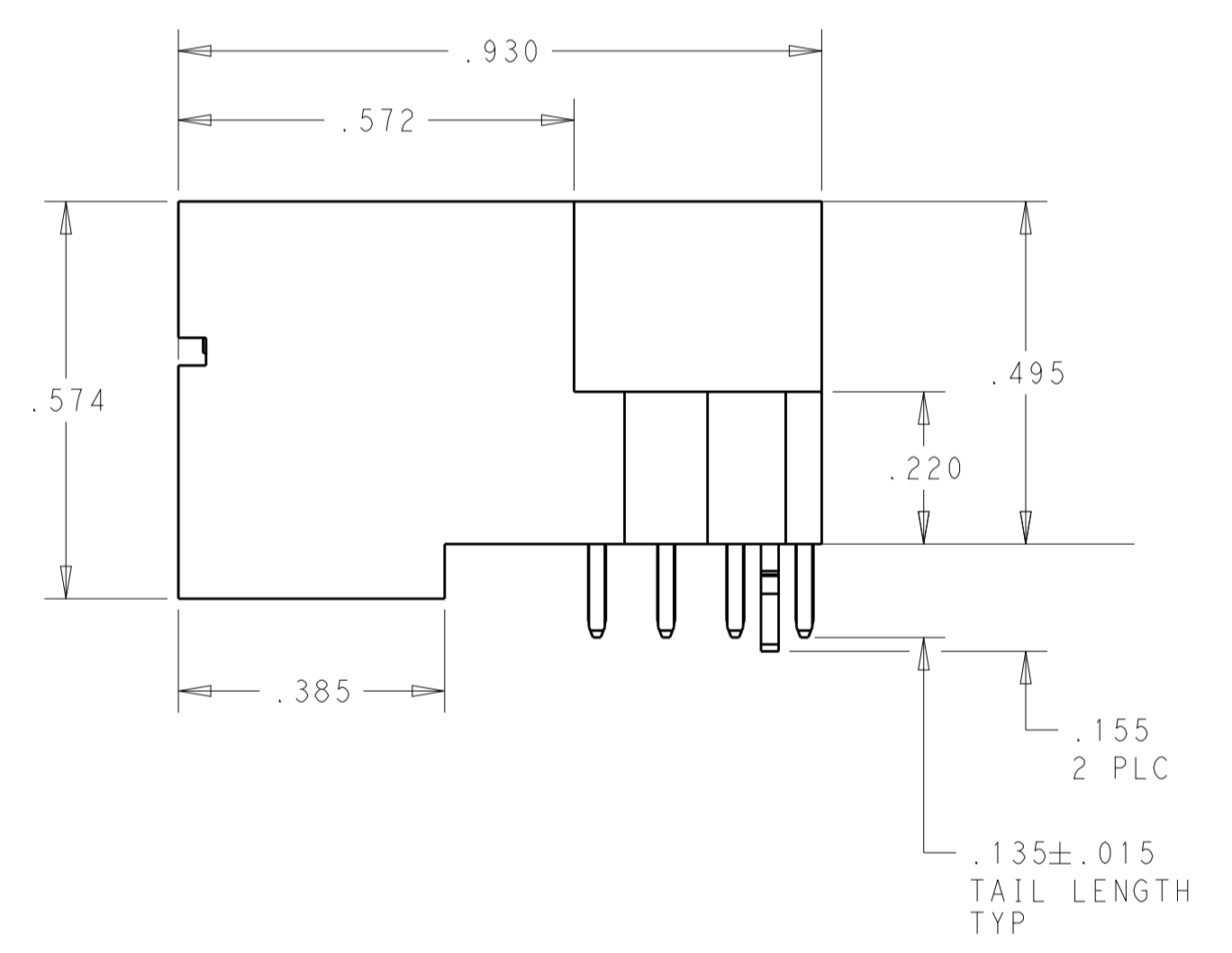


REVISIONS				
P.	LTN	DESCRIPTION	DATE	DWN APVD
1		PROPOSAL DESIGN	31JUL2017	WY SZ



- 1 "TE", PART NUMBER, AND DATECODE TO BE MARKED IN AREA SHOWN. PARTS UNDER 2.00 LONG MAY BE MARKED ON BOTH SIDES.
- 2 MATERIAL:
HOUSING - GLASS FILLED HIGH TEMP THERMO PLASTIC, BLACK, UL94 V-0
SIGNAL CONTACT - COPPER ALLOY
POWER CONTACT - HIGH CONDUCTIVITY COPPER ALLOY
- 3 CONTACT PLATING: NOBLE METAL PLATING ON CONTACT FUNCTIONAL AREA OF POWER AND SIGNAL CONTACTS.
- 4 MECHANICAL CONNECTOR KEEP OUT ZONE.
- 5 DATUM AND BASIC DIMENSIONS ESTABLISHED BY CUSTOMER.
- 6 PCB - HOLE DIAMETERS ARE FINISHED HOLE SIZE.
- 7 PCB - .0453±.0010 DRILLED HOLES PLATED WITH .0003 MIN Sn OVER .001 TO .003 Cu PLATING TO ACHIEVE A .040 ±.003 HOLE.

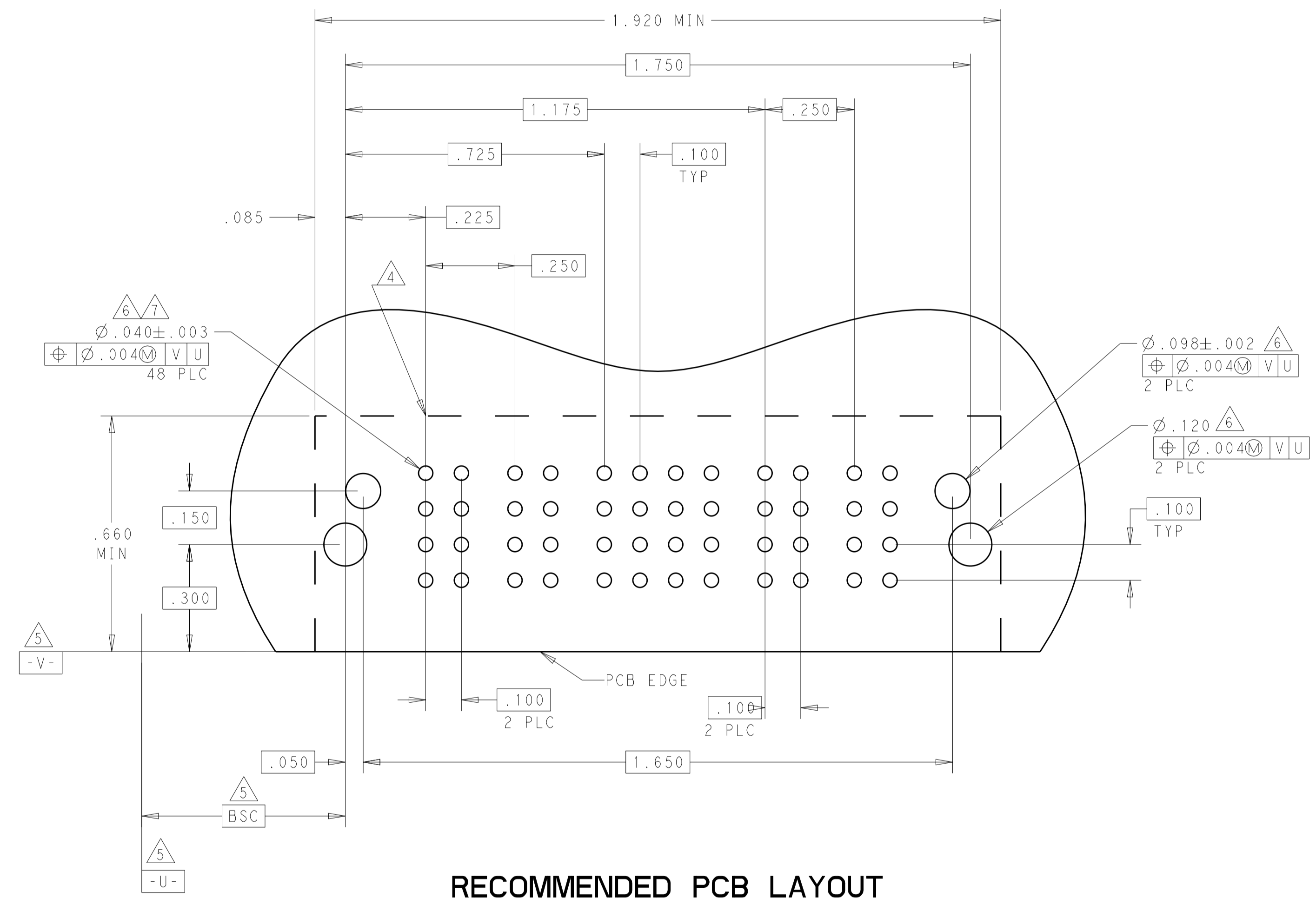


PROPOSAL ONLY

THIS DRAWING IS A CONTROLLED DOCUMENT.		DWN: 21NOV2017	2P+16S+2P		1-2204910-0
DIMENSIONS: INCHES		CHK: 21NOV2017	DESCRIPTION		PART NUMBER
TOLERANCES UNLESS OTHERWISE SPECIFIED:		APVD: 21NOV2017	TE Connectivity NAME: RIGHT ANGLE HEADER, SOLDER MULTI-BEAM XLE		
0 PLC ±. 2 PLC ±. 3 PLC ±.005 4 PLC ±.0020 ANGLES ±.7°		PRODUCT SPEC: 108-2292 APPLICATION SPEC: 114-13251 WEIGHT: -			
MATERIAL: 1		FINISH: 3		SIZE: A100779	CAGE CODE: 1-2204910-0
CUSTOMER DRAWING		SCALE: 4:1	SHEET: 1	OF: 2	REV: 1

REVISIONS				
P.	LTN	DESCRIPTION	DATE	APVD
-	-	SEE SHEET 1	-	-

PART NUMBER	ROWS	POWER		SIGNAL				POWER	
		P1	P2	1	2	3	4	P3	P4
1-2204910-0	D	TM	TM	J	E	J	J	TM	TM
	C			K	F	K	K		
	B			N	G	N	N		
	A			S	H	S	S		
2P+16S+2P		HD							HD



RECOMMENDED PCB LAYOUT

STD SOLDER TYPE SIGNAL CONTACT, .135 TAIL LENGTH, ROW D	J
STD SOLDER TYPE SIGNAL CONTACT, .135 TAIL LENGTH, ROW C	K
STD SOLDER TYPE SIGNAL CONTACT, .135 TAIL LENGTH, ROW B	N
STD SOLDER TYPE SIGNAL CONTACT, .135 TAIL LENGTH, ROW A	S
STD SOLDER TYPE POWER CONTACT, .135 TAIL LENGTH	TM
MLBF SOLDER TYPE SIGNAL CONTACT, .135 TAIL LENGTH, ROW D	E
MLBF SOLDER TYPE SIGNAL CONTACT, .135 TAIL LENGTH, ROW C	F
MLBF SOLDER TYPE SIGNAL CONTACT, .135 TAIL LENGTH, ROW B	G
MLBF SOLDER TYPE SIGNAL CONTACT, .135 TAIL LENGTH, ROW A	H
HOLD DOWN, MULTI-BEAM	HD
DESCRIPTION	IDENTIFIER

THIS DRAWING IS A CONTROLLED DOCUMENT.		DWN: 21NOV2017	TE Connectivity
DIMENSIONS: INCHES		CHK: 21NOV2017	
TOLERANCES UNLESS OTHERWISE SPECIFIED:		APVD: 21NOV2017	
0 PLC ± 2 PLC ± 3 PLC ±.005 4 PLC ±.002 ANGLES ±.020		PRODUCT SPEC: 108-2292 APPLICATION SPEC: 114-13251 WEIGHT:	
MATERIAL: 2		FINISH: 3	NAME: RIGHT ANGLE HEADER, SOLDER MULTI-BEAM XLE SIZE: A100779 CAGE CODE: 1-2204910-0 CUSTOMER DRAWING: SCALE 4:1 SHEET 2 OF 2 REV 1