

# PROT-M 8 MS-PA-CHAIN - Screw plug



1430860

<https://www.phoenixcontact.com/ae/products/1430860>

Please be informed that the data shown in this PDF document is generated from our online catalog. Please find the complete data in the user documentation. Our general terms of use for downloads are valid.

M8 sealing cap made of plastic with fixing band for sensor cables, for M8 sockets



## Commercial data

Item number	1430860
Packing unit	10 pc
Minimum order quantity	10 pc
Sales key	AF1
Product key	AF1ZAX
GTIN	4046356332859
Weight per piece (including packing)	2.04 g
Weight per piece (excluding packing)	2.03 g
Customs tariff number	39269097
Country of origin	DE

# PROT-M 8 MS-PA-CHAIN - Screw plug



1430860

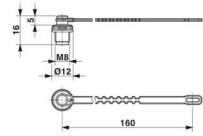
<https://www.phoenixcontact.com/ae/products/1430860>

## Technical data

### Product properties

Product type	Plug for cable screw gland
Thread type	M8

### Dimensions

Dimensional drawing	
Diameter	12 mm

### Material specifications

Material	PUR (Holding band)
Seal material	NBR
Material for screw connection	PA 6.6

### Environmental and real-life conditions

#### Ambient conditions

Degree of protection	IP65
	IP67
Ambient temperature (operation) (male connector/female connector)	-25 °C ... 85 °C

# PROT-M 8 MS-PA-CHAIN - Screw plug

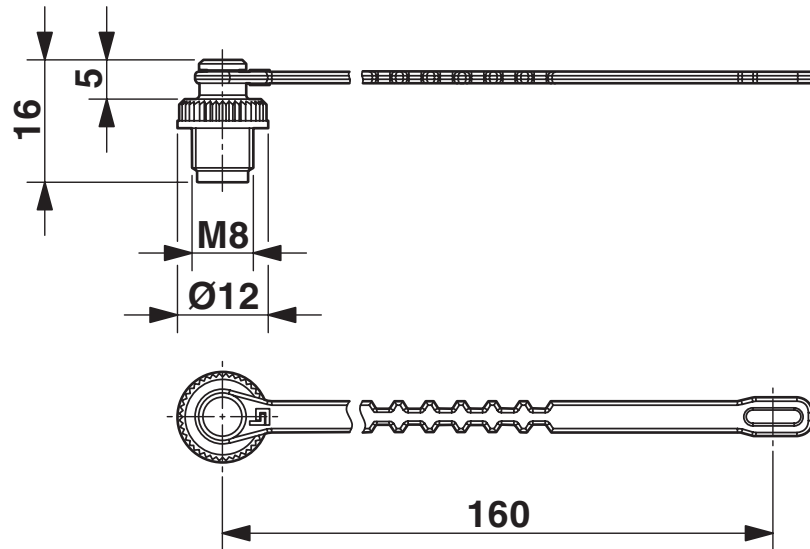


1430860

<https://www.phoenixcontact.com/ae/products/1430860>

## Drawings

Dimensional drawing



Dimensional drawing

# PROT-M 8 MS-PA-CHAIN - Screw plug



1430860

<https://www.phoenixcontact.com/ae/products/1430860>

## Classifications

### ECLASS

ECLASS-13.0	23111190
ECLASS-15.0	23111190

### ETIM

ETIM 9.0	EC000032
----------	----------

### UNSPSC

UNSPSC 21.0	31261500
-------------	----------

# PROT-M 8 MS-PA-CHAIN - Screw plug



1430860

<https://www.phoenixcontact.com/ae/products/1430860>

## Environmental product compliance

### EU RoHS

Fulfills EU RoHS substance requirements	Yes, No exemptions
---	--------------------

### China RoHS

Environment friendly use period (EFUP)	EFUP-E
	No hazardous substances above the limits

### EU REACH SVHC

REACH candidate substance (CAS No.)	No substance above 0.1 wt%
-------------------------------------	----------------------------

Phoenix Contact 2025 © - all rights reserved  
<https://www.phoenixcontact.com>

PHOENIX CONTACT Middle East FZ LLC  
1201N-1206N, Dubai Science Park Towers – North  
P.O. Box 345002, Dubai, United Arab Emirates  
(+971) 4 437-0324  
[info-me@phoenixcontact.com](mailto:info-me@phoenixcontact.com)