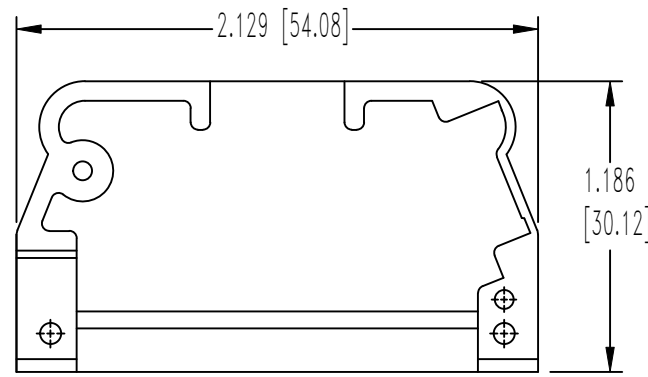
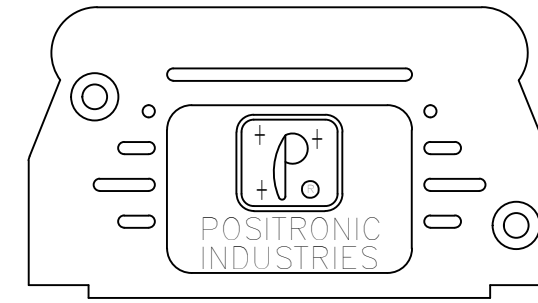
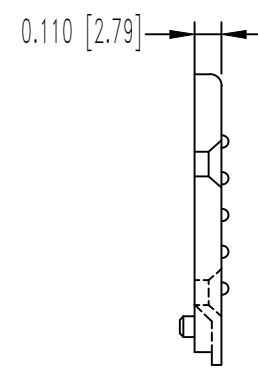
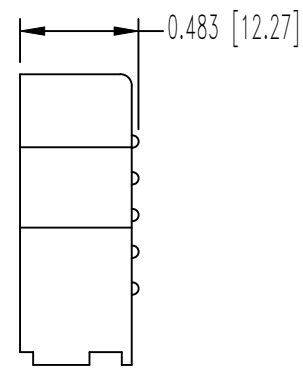


THIS DRAWING CONTAINS INFORMATION PROPRIETARY TO POSITRONIC AND ITS SUBSIDIARIES. POSITRONIC BELIEVES THE DATA ON THIS DRAWING TO BE RELIABLE. SINCE THE TECHNICAL INFORMATION IS GIVEN FREE OF CHARGE, THE USER EMPLOYS SUCH INFORMATION AT HIS OWN DISCRETION AND RISK. POSITRONIC ASSUMES NO RESPONSIBILITY FOR RESULTS OBTAINED OR DAMAGES INCURRED FROM USE OF SUCH INFORMATION IN WHOLE OR IN PART.

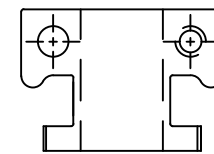
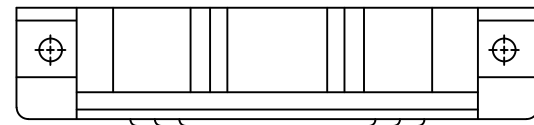
DATE	REV	REVISION RECORD	APP	DR	CK
10-31-11	NC	ECO 34661	COLE	ME	COLE
8-8-13	A	ECO 40370	COLE	BE	COLE



"J" HOOD

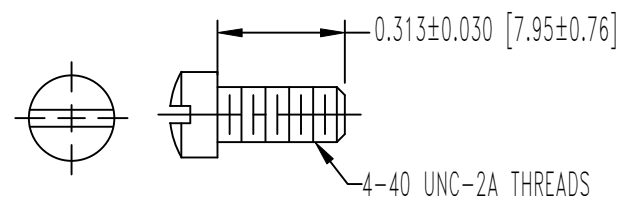


COVER



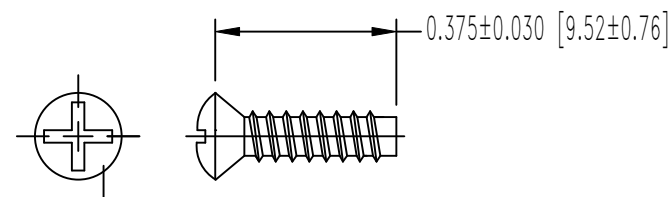
CABLE CLAMP

2X



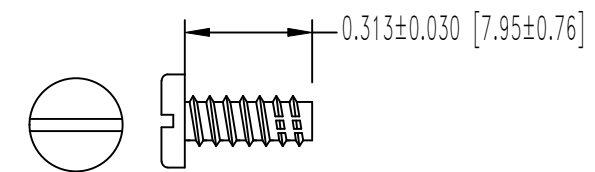
2X CABLE CLAMP SCREW

ENLARGED



2X COVER SCREW

ENLARGED



2X MOUNTING SCREW

ENLARGED

NOTES:

1. MATERIALS AND FINISHES:

HOOD AND HOOD COVER: BLACK POLYESTER, 94 V-0.

CABLE CLAMPS: STEEL, NICKEL PLATE.

CABLE CLAMP SCREWS: BRASS, ZINC PLATE WITH CHROMATE SEAL.

SCREWS: STEEL, ZINC PLATE WITH CHROMATE SEAL.

2. DETAILED PRODUCT, ELECTRICAL, AND MECHANICAL INFORMATION IS AVAILABLE

IN THE LATEST D-SUB ACCY PRODUCT PUBLICATION. VISIT
CONNECTPOSITRONIC.COM/PRODUCTS/58/D-SUBMINIATUREACCESSORIES
 OR CONNECTPOSITRONIC.COM.

3. CONNECTORS ARE COMPLIANT TO THE CURRENT ROHS DIRECTIVE.

4. DIMENSIONS ARE IN INCHES[MILLIMETERS].

	POSITRONIC INDUSTRIES INC. www.connectpositronic.com		FSCM 28198
	SCALE N.T.S.	DRAWN BY ME	APPROVED BY COLE
DECIMAL TOL. ± 0.015 [0.38]	D SERIES		
ANGULAR TOL. ± 5°	TITLE D25000J00/AA		
DATE 10-31-11	DRAWING NUMBER SK12906	REV. A	