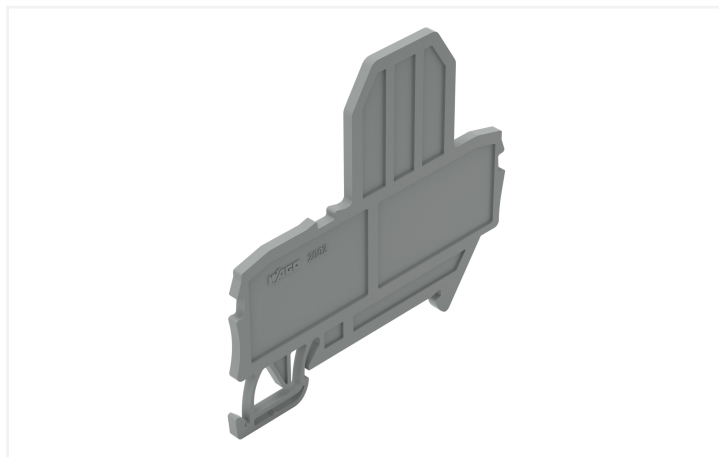
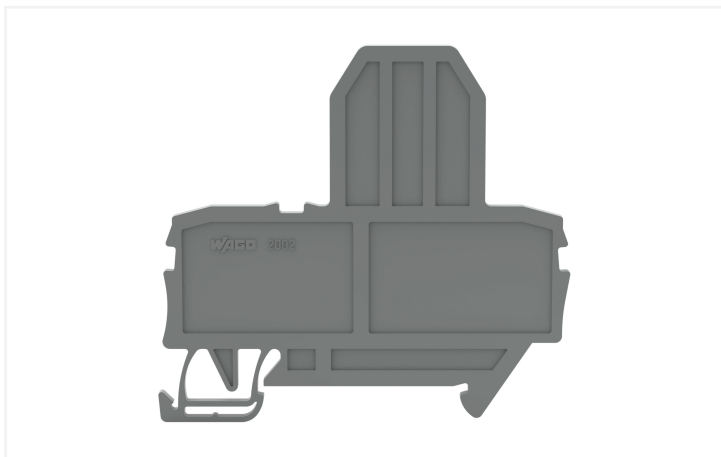


**Data Sheet | Item Number: 2002-991**  
 End plate for fuse terminal blocks; 2 mm thick; gray

<https://www.wago.com/2002-991>



Color: ■ gray

**Physical data**

Width	2 mm / 0.079 inches
Height	67 mm / 2.638 inches
Depth from upper-edge of DIN-rail	57.2 mm / 2.252 inches

**Mechanical data**

Mounting type	snap-on type
---------------	--------------

**Material data**

Note (material data)	<a href="#">Information on material specifications can be found here</a>
Color	gray
Material group	I
Insulation material (main housing)	Polyamide (PA66)
Flammability class per UL94	V0
Fire load	0.102 MJ
Weight	3.8 g

**Environmental requirements**

Environmental Testing	
Test specification: Railway applications – Rolling stock – Electronic equipment	DIN EN 50155 (VDE 0115-200):2022-06
Test procedure: Railway applications – Rolling stock equipment – Vibration and shock tests	DIN EN 61373 (VDE 0115-0106):2011-04
Spectrum/Mounting location	Service life test, Category 1, Class A/B
Functional test with noise-like oscillations	Test passed according to Section 8 of the standard
Frequency	$f_1 = 5 \text{ Hz}$ to $f_2 = 150 \text{ Hz}$

Environmental Testing	
Acceleration	0.101g (highest test level used for all axes)
Test duration per axis	10 min.
Test directions	X, Y and Z axes
Monitoring of contact faults and interruptions	Passed
Voltage drop measurement before and after each axis	Passed
Simulated service life test through increased levels of noise-like oscillations	Test passed according to Section 9 of the standard
Frequency	$f_1 = 5 \text{ Hz}$ to $f_2 = 150 \text{ Hz}$


Environmental Testing	
Acceleration	0.572g (highest test level used for all axes)
Test duration per axis	5 h
Test directions	X, Y and Z axes
Extended testing: Monitoring of contact faults and interruptions	Passed
Extended testing: Voltage drop measurement before and after each axis	Passed
Shock test	Test passed according to Section 10 of the standard
Shock pulse form	Half sine
Acceleration	5g (highest test level used for all axes)
Shock duration	30 ms
Number of shocks (per axis)	3 pos. und 3 neg.
Test directions	X, Y and Z axes
Extended testing: Monitoring of contact faults and interruptions	Passed
Extended testing: Voltage drop measurement before and after each axis	Passed
Vibration and shock stress for rolling stock equipment	Passed




Commercial data	
Product Group	22 (TOPJOB S)
PU (SPU)	100 (25) pcs
Packaging type	Box
Country of origin	DE
GTIN	4045454779238
Customs tariff number	85389099990

Product Classification	
UNSPSC	39121410
eCl@ss 10.0	27-14-11-33
eCl@ss 9.0	27-14-11-33
ETIM 9.0	EC000886
ETIM 10.0	EC000886
ECCN	NO US CLASSIFICATION

Environmental Product Compliance	
RoHS Compliance Status	Compliant, No Exemption

### Approvals / Certificates

Declarations of conformity and manufacturer's declarations		
		
Approval	Standard	Certificate Name
ATEX-Attestation of Conformity WAGO GmbH & Co. KG	-	-
Railway WAGO GmbH & Co. KG	-	Railway Ready

Approvals for hazardous areas		
PTB 0102 Ex ec IIC Gc   		
Approval	Standard	Certificate Name
ATEX KIWA Netherlands B.V.	-	KIWA 17ATEX0030 U
CCC CNEX	GB/T 3836.3	2020312313000180 (Ex ec IIC Gc)
IECEx KIWA Netherlands B.V.	-	IECEx KIWA 17.0014U (Ex ec IIC Gc)

**Downloads**

**Environmental Product Compliance**


**Compliance Search**

Environmental Product Compliance 2002-991



**Documentation**

**Bid Text**

2002-991	19.02.2019	xml 2.51 KB	
2002-991	27.04.2017	doc 23.50 KB	

**CAD/CAE-Data**

**CAD data**

2D/3D Models  
2002-991



**CAE data**

EPLAN Data Portal  
2002-991



WSCAD Universe  
2002-991



ZUKEN Portal  
2002-991

