

## HDC 24D TOBU 1M32G EMC

**Weidmüller Interface GmbH & Co. KG**

Klingenbergstraße 26

D-32758 Detmold

Germany

[www.weidmueller.com](http://www.weidmueller.com)



The new Weidmüller RockStar® IP65 EMV enclosures are ideally suited for use in the harshest environmental conditions and provide protection against electromagnetic interference. A heavy-duty connector consists of a connector insert and its protective housing. The new plastic straps are easy to lock and can be replaced at any time. All Weidmüller RockStar® enclosures are made of high quality die-cast aluminium. This makes them impact- and corrosion-resistant, yet compact and lightweight.

### General ordering data

Version	HDC enclosures, Installation size: 4, Protection degree: IP65, in plugged condition, Cable entry from top, Plug housing, Side-locking clamp on lower side, high, Size of cable entries: M 32
Order No.	<a href="#">2544020000</a>
Type	HDC 24D TOBU 1M32G EMC
GTIN (EAN)	4050118648744
Qty.	1 items

**HDC 24D TOBU 1M32G EMC**

**Weidmüller Interface GmbH & Co. KG**  
 Klingenbergstraße 26  
 D-32758 Detmold  
 Germany

www.weidmueller.com

**Technical data**

**Approvals**

Approvals



ROHS	Conform
UL File Number Search	<a href="#">UL Website</a>
Certificate No. (cURus)	E92202

**Dimensions and weights**

Depth	73 mm	Depth (inches)	2.874 inch
Height	72 mm	Height (inches)	2.8346 inch
Width	43 mm	Width (inches)	1.6929 inch
Net weight	160.16 g		

**Temperatures**

Limit temperature	-40 °C ... 125 °C
-------------------	-------------------

**Environmental Product Compliance**

RoHS Compliance Status	Compliant without exemption	
REACH SVHC	No SVHC above 0.1 wt%	
Chemical resistance	Substance	Hydraulic oil
	Chemical resistance	Resistant
	Substance	Petrol
	Chemical resistance	Resistant
	Substance	UV
	Chemical resistance	Resistant
	Substance	Ozone
Chemical resistance	Resistant	

**Dimensions**

Cable entry	w. thread
-------------	-----------

**General data**

UL 94 flammability rating	V-0	Housing main material	diecast aluminium
Surface finish	Powder coating	Protection degree	IP65, in plugged condition
EMC housings	Yes		

**Version**

Size of cable entries	M 32	Top part/bottom part/lid	upper part
Cover	without cover	Number of cable entry on top	1
Number of cable entry sideways	0	Design of housing	Cable entry from top, Plug housing
Design of locking system	Side-locking clamp on lower side	Design	high
Installation size	4	Cable entry	w. thread
Type	Plug	Clamp version	Side-locking clamp
Sealing	FPM	Internal thread	M 32
Colour (RAL)	RAL 9011	BG	4
Suitable for ModuPlug®	Yes		

Creation date 18.02.2026 07:36:56 MEZ

Catalogue status / Drawings

**HDC 24D TOBU 1M32G EMC**

**Weidmüller Interface GmbH & Co. KG**  
Klingenbergstraße 26  
D-32758 Detmold  
Germany

[www.weidmueller.com](http://www.weidmueller.com)

**Technical data**

**Classifications**

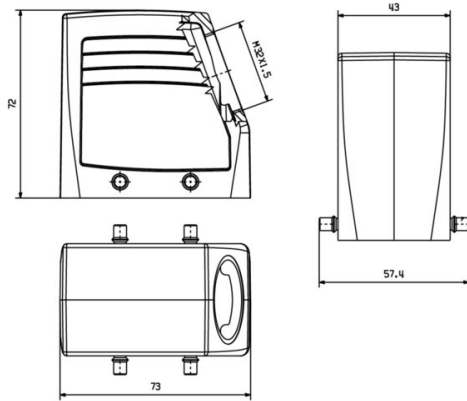
ETIM 8.0	EC000437	ETIM 9.0	EC000437
ETIM 10.0	EC000437	ECLASS 14.0	27-44-02-02
ECLASS 15.0	27-44-02-02		

**HDC 24D TOBU 1M32G EMC**

**Weidmüller Interface GmbH & Co. KG**  
Klingenbergstraße 26  
D-32758 Detmold  
Germany

**Drawings**

[www.weidmueller.com](http://www.weidmueller.com)



## HDC 24D TOBU 1M32G EMC

**Weidmüller Interface GmbH & Co. KG**  
 Klingenbergstraße 26  
 D-32758 Detmold  
 Germany

[www.weidmueller.com](http://www.weidmueller.com)

## Accessories

### EMC Brass Cable Gland 1st Generation



The increasing sensitivity of electronic components and the increasing electromagnetic interference frequencies require cable glands to play an important role in the shielding concept of a system. This type of EMC cable glands are made for shielding against interference frequencies, with a 360° screening connection. A Finger-locking seal provides superior cable retention & strain relief, next to it, the cable gland meets the mechanical requirements of EN 62444. Due to the patented design a very easy and fast assembly will be possible.

#### General ordering data

Type	VG M32 - MS 1/EMV	Version	
Order No.	<a href="#">1909530000</a>	VG EMV GEN 1 (EMC cable gland with clamping cage), Cable glands,	
GTIN (EAN)	4032248536450	straight, M 32, 8, OD min. 15 - OD max. 21 mm, IP68 - 5 bar (30	
Qty.	10 ST	min.), IP69K, Brass, nickel-plated	

### EMC Brass Cable Gland 4th Generation



The increasing sensitivity of electronic components and the increasing electromagnetic interference frequencies require cable glands to play an important role in the shielding concept of a system. This type of EMC cable glands are made for shielding against interference frequencies, with a 360° screening connection. A Finger-locking seal provides superior cable retention & strain relief, next to it, the cable gland meets the mechanical requirements of EN 62444. Due to the patented design a very easy and fast assembly will be possible.

#### General ordering data

Type	VG M32 EMV-4 MS 16-25	Version	
Order No.	<a href="#">2435180000</a>	VG EMV GEN 4 (EMC cable gland with clamping cage), Cable glands,	
GTIN (EAN)	4050118446937	straight, M 32, 9, OD min. 16 - OD max. 25 mm, IP54, IP66, IP67,	
Qty.	10 ST	IP68 - 5 bar (30 min.), IP69K, Brass, nickel-plated	

## HDC 24D TOBU 1M32G EMC

**Weidmüller Interface GmbH & Co. KG**  
 Klingenbergstraße 26  
 D-32758 Detmold  
 Germany

## Counterpart

[www.weidmueller.com](http://www.weidmueller.com)

### Size 4 (10B/24D)



The new Weidmüller RockStar® IP65 EMV enclosures are ideally suited for use in the harshest environmental conditions and provide protection against electromagnetic interference. A heavy-duty connector consists of a connector insert and its protective housing. The new plastic straps are easy to lock and can be replaced at any time. All Weidmüller RockStar® enclosures are made of high quality die-cast aluminium. This makes them impact- and corrosion-resistant, yet compact and lightweight.

### General ordering data

Type	HDC 10B ABU EMC	Version	
Order No.	<a href="#">2542310000</a>		
GTIN (EAN)	4050118648768		
Qty.	1 ST		
			HDC enclosures, Installation size: 4, Protection degree: IP65, in plugged condition, Bulkhead housing, Side-locking clamp on lower side, Side-locking clamp replaceable, , Size of cable entries: none