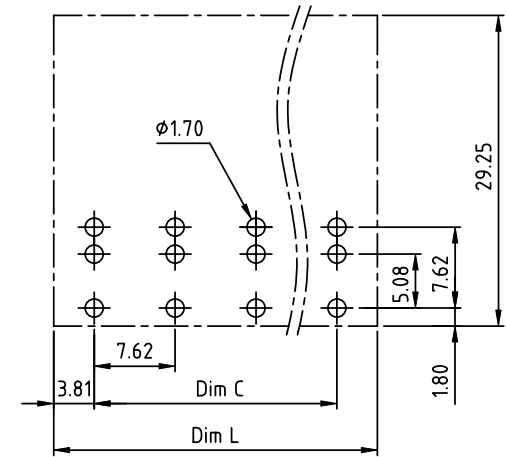
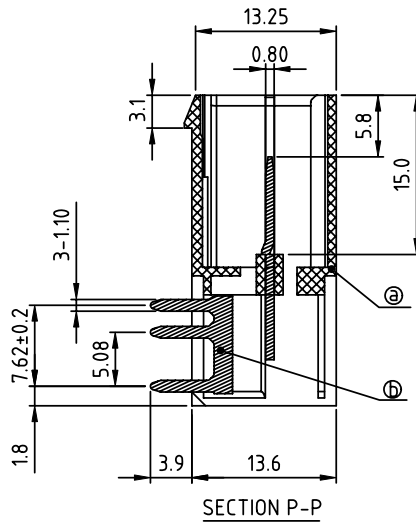
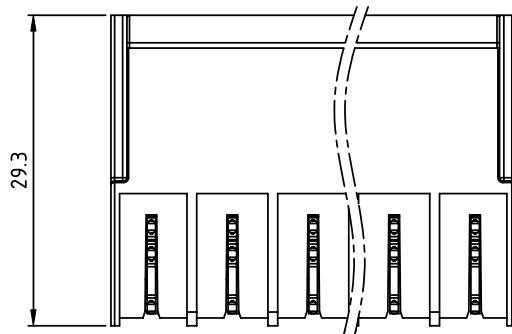
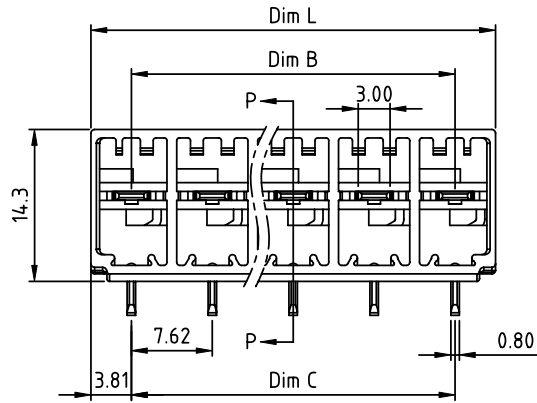


PRODUCT NUMBER	PITCH
VCxx00xC00J0G	7.62 mm



RECOMMENDED P.C.B LAYOUT  
TOP VIEW

Material:

- Item ① Terminal(housing):Thermoplastic (UL94V-0)
- Item ② Pin: Copper Tin plated

Electrical: cULus

- Voltage rating:300V
- Current rating:41A
- Withstanding Voltage:1.6 KV
- Operating temperature:-40°C to +115°C
- Soldering temperature:260°C±5°C/5 Sec
- Safety Approval:

DIMENSION

Dim L	N×7.62
Dim B	(N-1)×7.62
Dim C	(N-1)×7.62

N=Number of poles

Poles	Tolerance
2p-5p	±0.20
6p-12p	±0.30
13p-16p	±0.40

PART NO.: VCxx00xC00J0G

- |   |              |                     |   |
|---|--------------|---------------------|---|
| ↓ | Solid block  | 0 Black (RAL9005)   | RoHS compliant (lead<4%)<br>In copper Alloy |
| ↓ | No. of poles | 2 Red (RAL3001/D)   |   |
| ↓ | 02 2 poles   | 3 Orange(RAL2011/P) |   |
| ↓ | 03 3 poles   | 4 Yellow(RAL1018/A) |   |
| ↓ | ...          | 5 Green(RAL6018/T)  |   |
| ↓ | 16 16 poles  | 6 Blue (RAL5015/A)  |   |
|   |              | 8 Grey(RAL7035/D)   |   |
|   |              | 9 White(RAL1102)    |   |
|   |              | C Green(RAL6018/U)  |   |

mat'l. code		surface ASME Y14.5	tolerance ASME Y14.5	projection 	product family TERMINAL BLOCK
ltr	ecn no	dr	date		title
				tolerances unless otherwise specified	TERMINAL BLOCK PLUGGABLE SOCKET,RIGHT ANGLE THREE TAILS TYPE.MOUNTING UNDER THE PCB
				angles 	scale
				X.±0.5	MM
				X.X±0.3	
				X*±1*	
				X.XX±0.1	
		dr	EVIN ZHONG	050714	sheet 1 of 1 size
		enr	EVIN ZHONG	050714	VCxx00xC00J0G
		chr	HANKE FENG	050714	A4
		appd	SHI JUN	050714	type
					CUSTOMER Drawing
sheet index	revision	A			
	sheet	1			