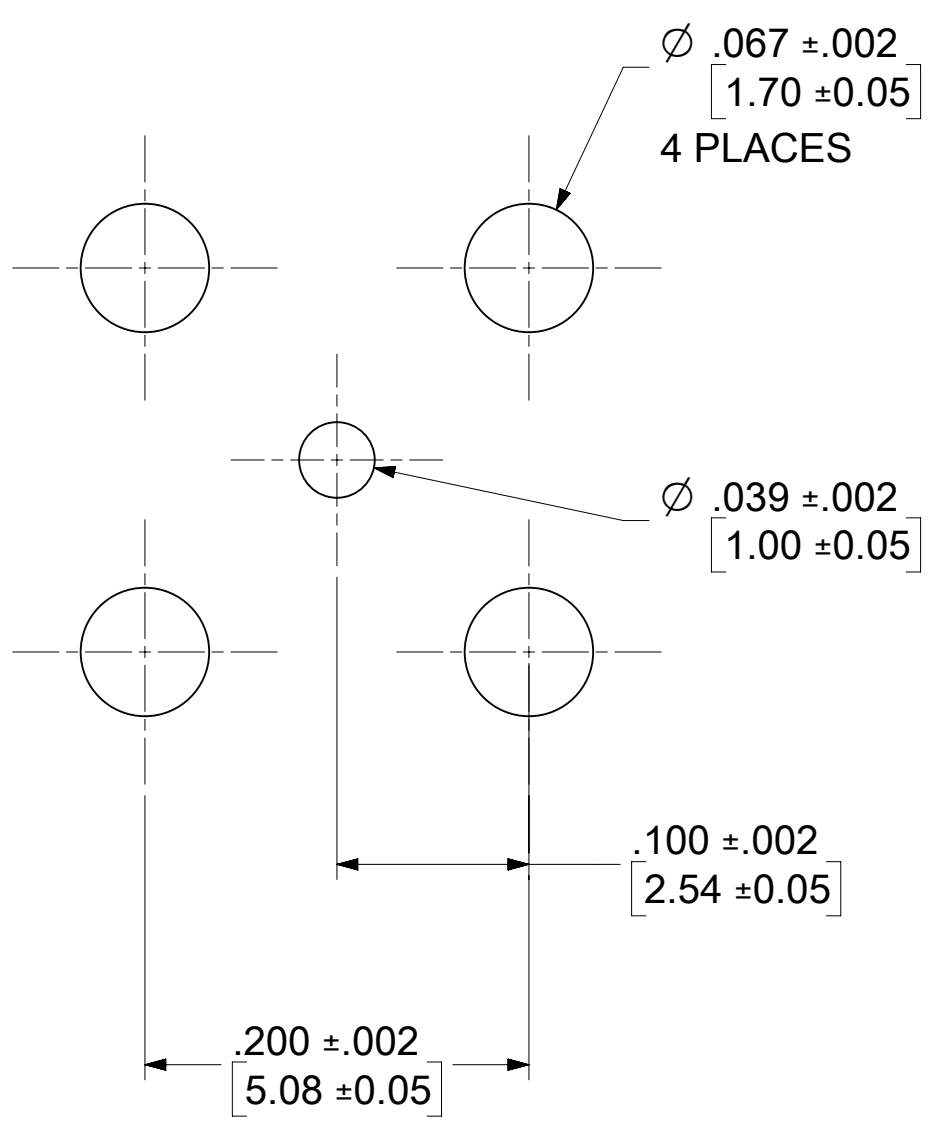
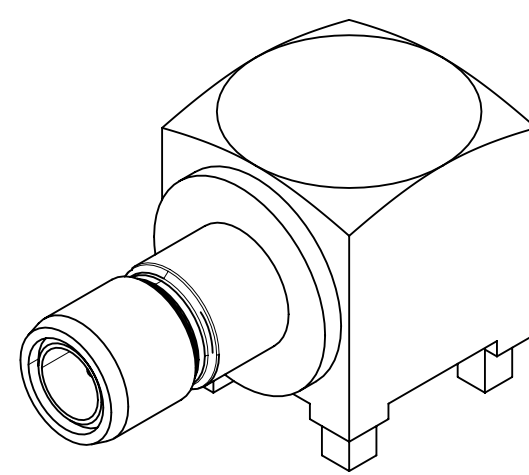
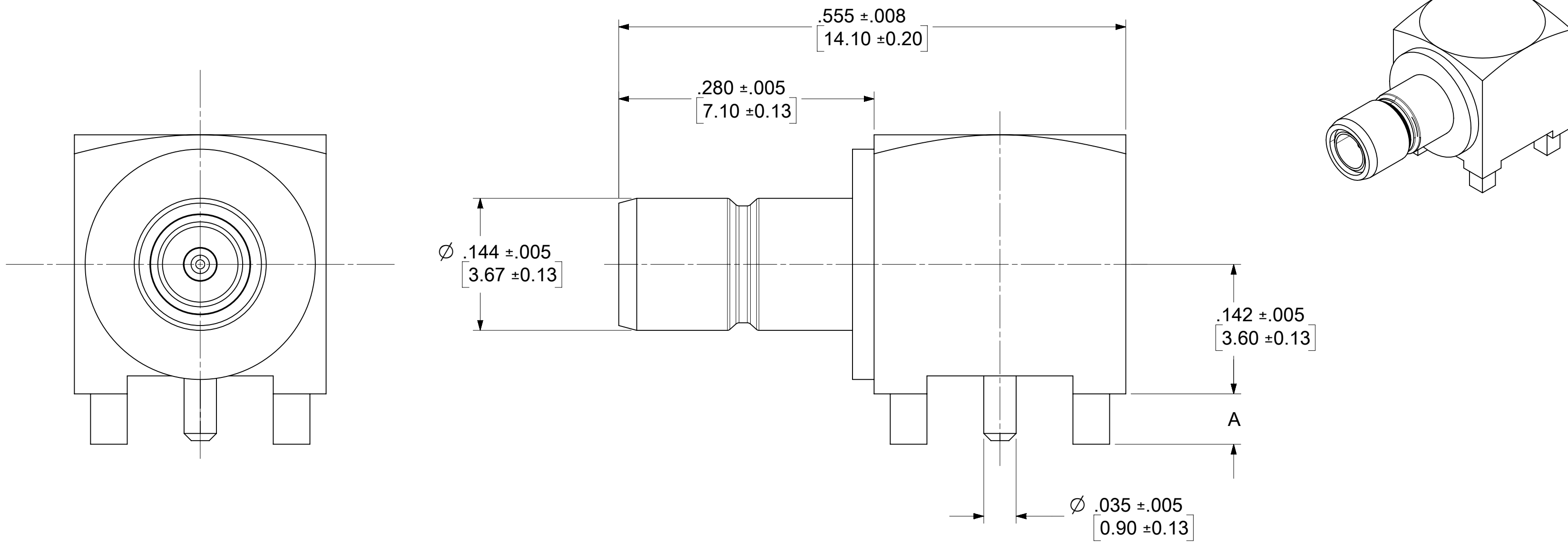


MATERIALS AND FINISHS

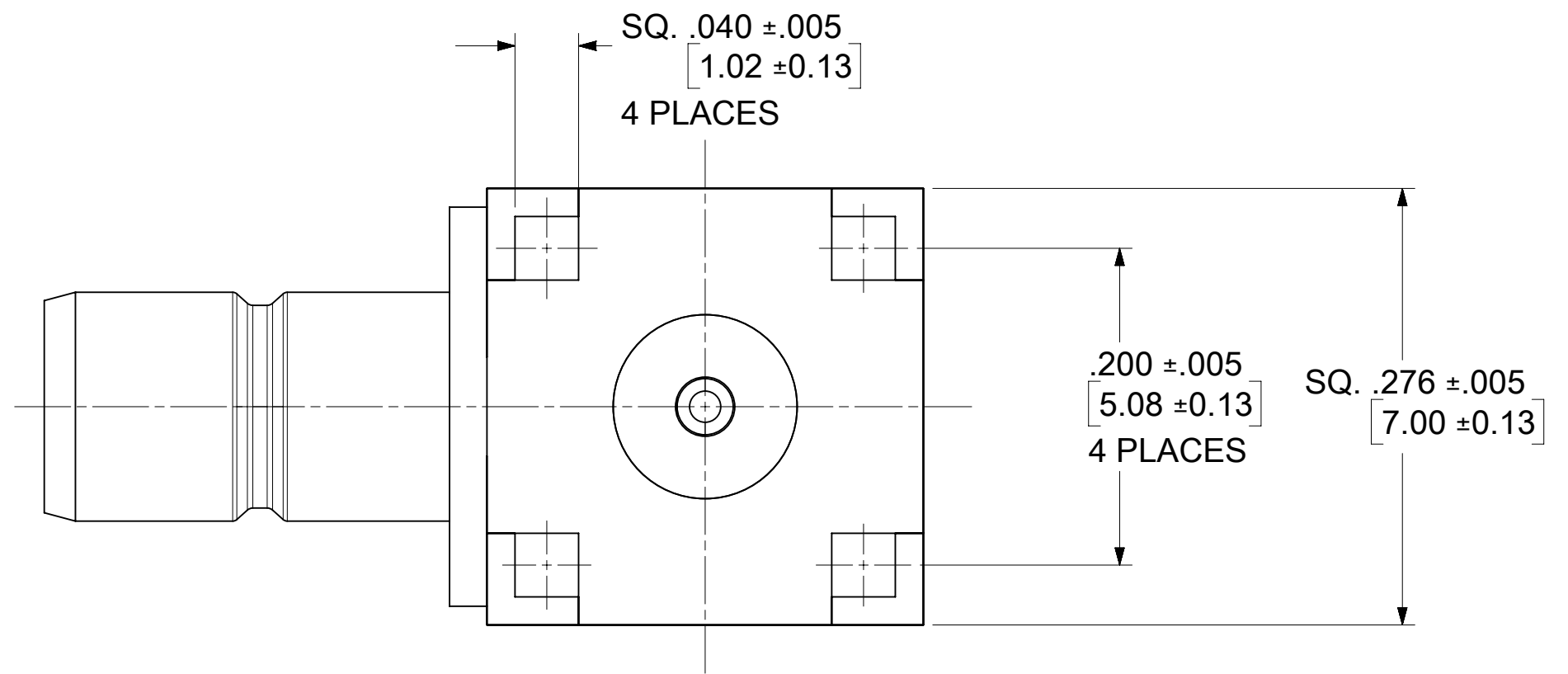
BODY BRASS
PLATED GOLD

CENTER CONTACT BRASS
PLATED GOLD

INSULATOR TEFLON



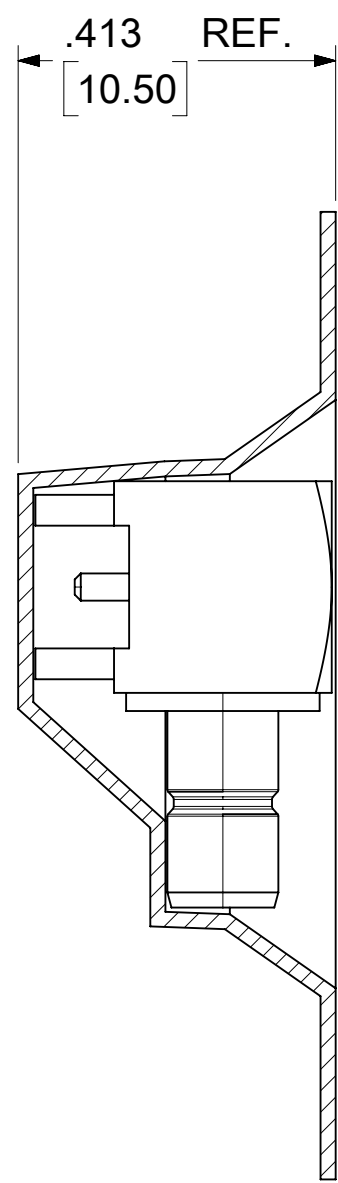
RECOMMENDED PCB HOLE CONFIGURATION



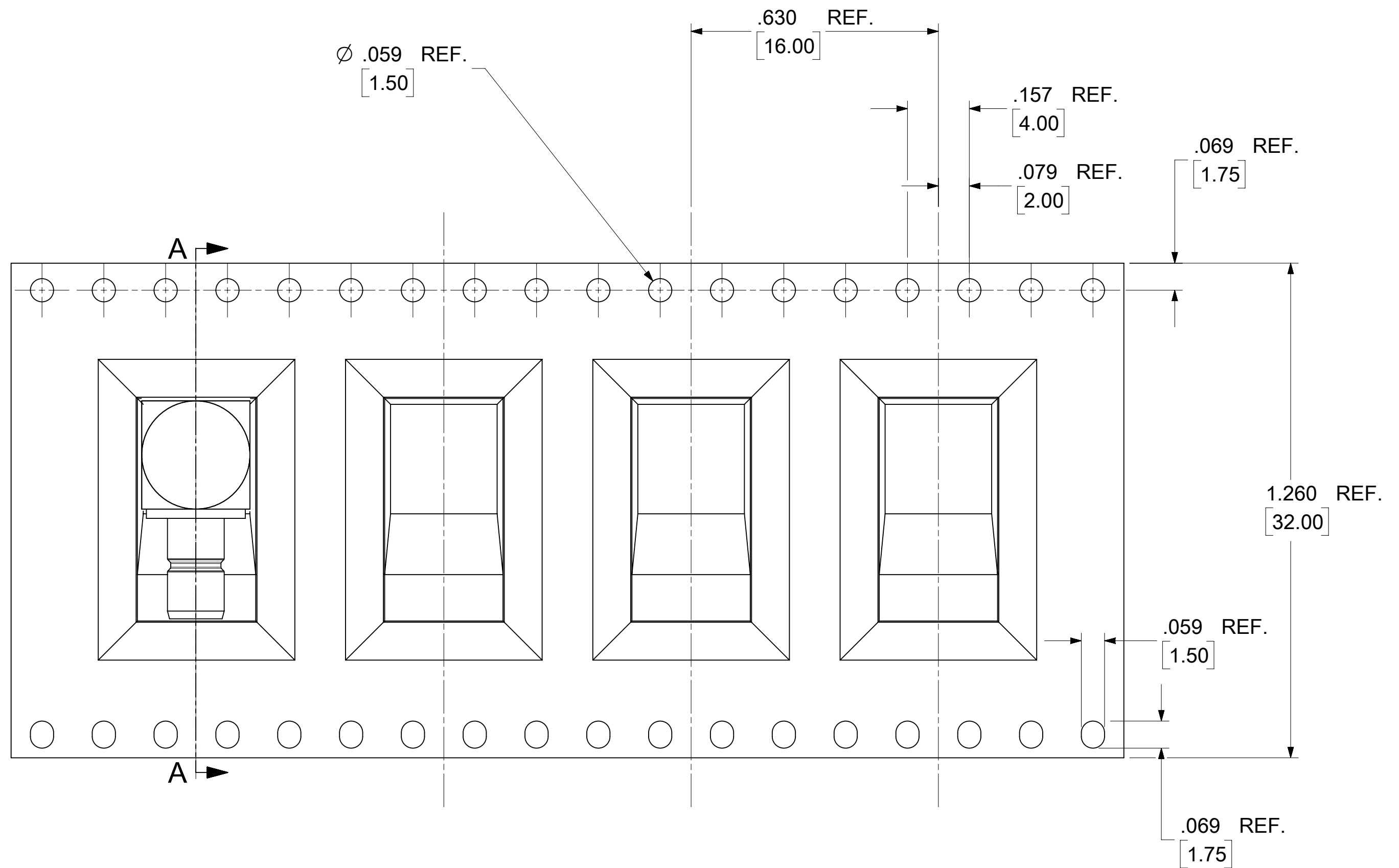
73396-0322	.102±.005	2.60±0.13	TAPE & REEL
73396-0321	.102±.005	2.60±0.13	TRAY
73396-0320	.055±.005	1.40±0.13	TRAY
PART NO.	IN	MM	PACKAGE
	DIM. A		

PS-73598-0099	PRODUCT SPECIFICATION
SPECIFICATION	DESCRIPTION

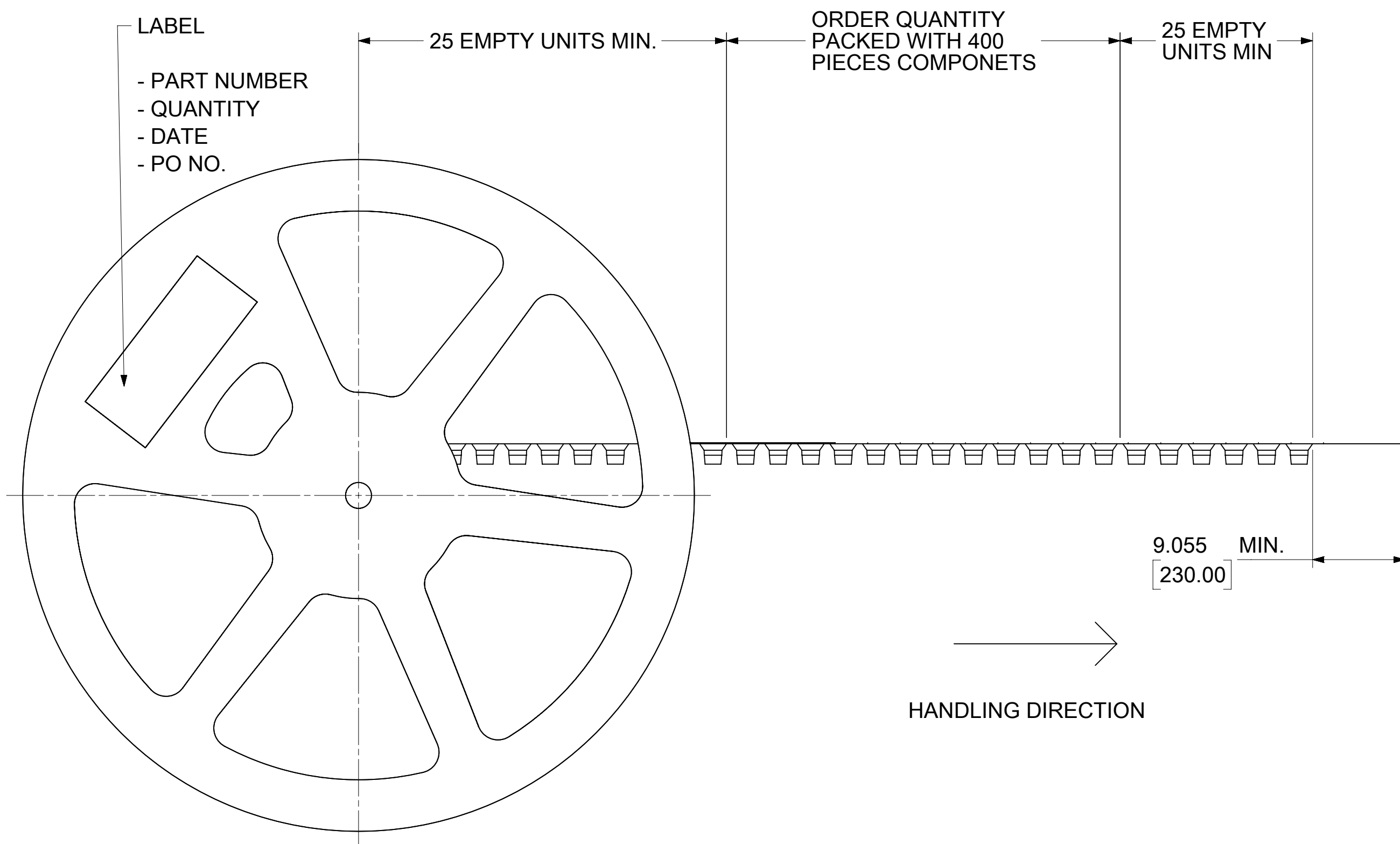
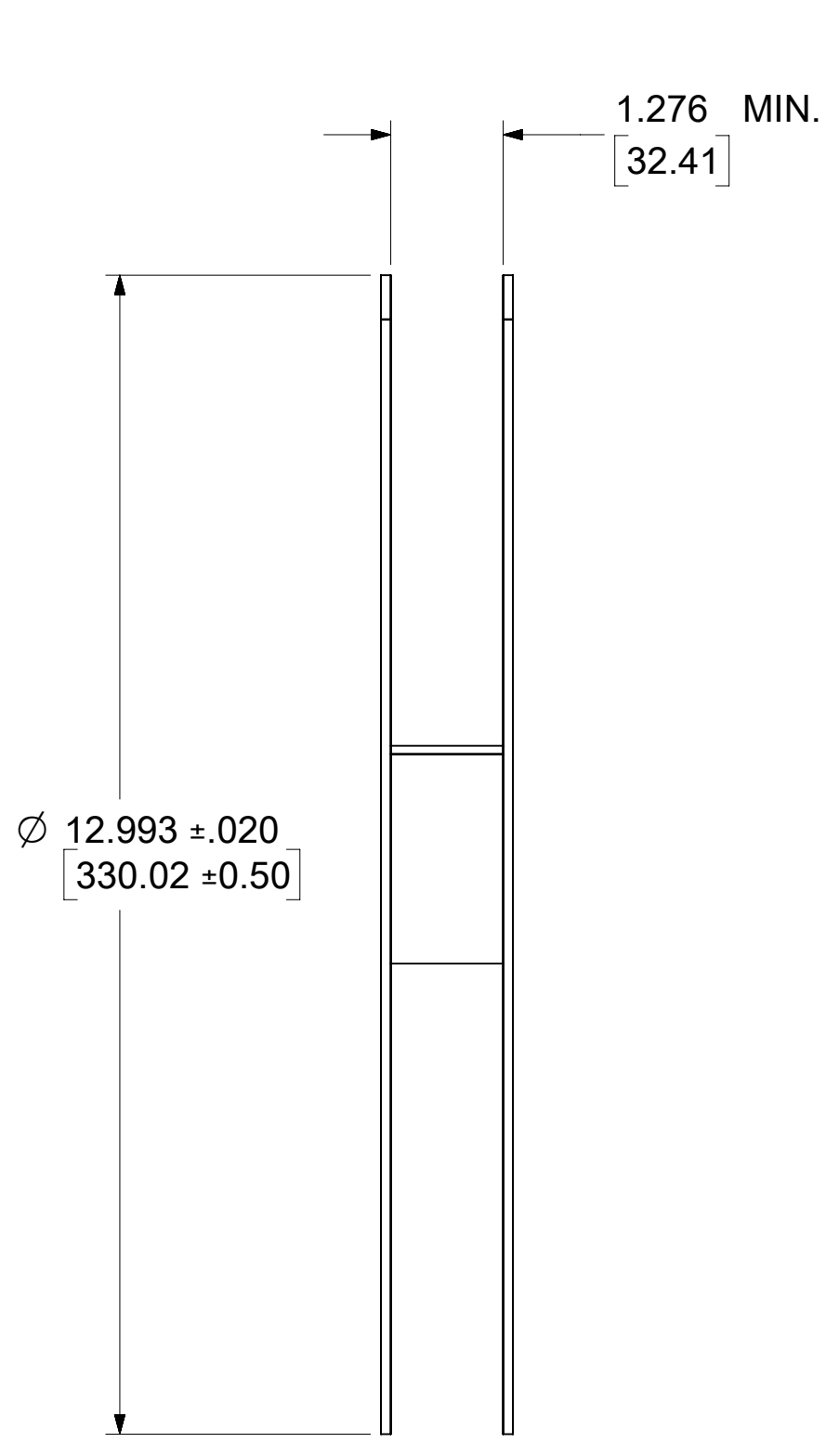
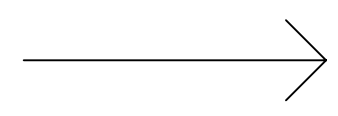
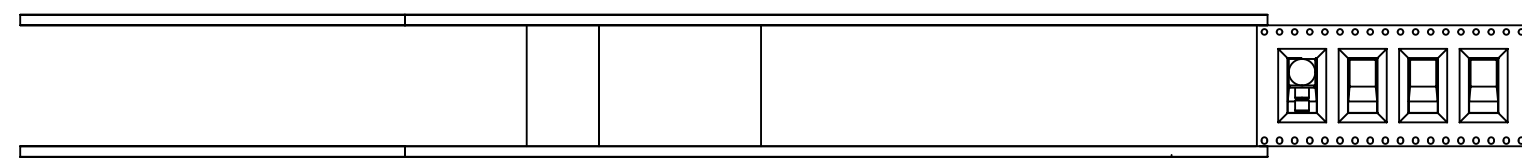
FUNCTIONAL SYMBOLS	THIS DRAWING CONTAINS INFORMATION THAT IS PROPRIETARY TO MOLEX ELECTRONIC TECHNOLOGIES, LLC AND SHOULD NOT BE USED WITHOUT WRITTEN PERMISSION		
FA = 0	DIMENSION UNITS	SCALE	CURRENT REV DESC: UPDATED PACKAGE PER EWR # 15350-A
FC = 0	INCH/MM	NTS	
FD = 0	GENERAL TOLERANCES (UNLESS SPECIFIED)		
	ANGULAR TOL ± 2.0°		EC NO: 716535
	4 PLACES	±	DRWN: ELIN 2022/08/01
DIVISIONAL SYMBOLS	3 PLACES	±	CHK'D: YCHENG 2022/08/04
	2 PLACES	±	APPR: YCHENG 2022/08/04
	1 PLACE	±	INITIAL REVISION:
	0 PLACES	±	DRWN: ELIN 2004/09/09
	DRAFT WHERE APPLICABLE MUST REMAIN WITHIN DIMENSIONS		APPR: MHUANG 2004/09/09
	THIRD ANGLE PROJECTION	DRAWING	SERIES
		C-SIZE	73396
		MATERIAL NUMBER	CUSTOMER
		SEE TABLE	GENERAL MARKET
		DOCUMENT NUMBER	DOC TYPE DOC PART REVISION
		SD-73396-032	PSD 001 A5
		SHEET NUMBER	1 OF 3



SECTION A-A



FUNCTIONAL SYMBOLS										THIS DRAWING CONTAINS INFORMATION THAT IS PROPRIETARY TO MOLEX ELECTRONIC TECHNOLOGIES, LLC AND SHOULD NOT BE USED WITHOUT WRITTEN PERMISSION																													
DIMENSION UNITS					SCALE					CURRENT REV DESC: UPDATED PACKAGE PER EWR # 15350-A																													
INCH/MM					NTS					molex SMB JACK R/A PCB 50 OHMS EWR # 15350, SMB-J/PCB PRODUCT CUSTOMER DRAWING																													
GENERAL TOLERANCES (UNLESS SPECIFIED)																				EC NO: 716535					2022/08/01														
ANGULAR TOL $\pm 2.0^\circ$																				DRWN: ELIN					2022/08/04														
DIVISIONAL SYMBOLS					4 PLACES \pm					CHK'D: YCHENG					2022/08/04																								
3 PLACES \pm					APPR: YCHENG					2022/08/04					INITIAL REVISION:																								
2 PLACES \pm					DRWN: ELIN					2004/09/09					DOCUMENT NUMBER					DOC TYPE					DOC PART					REVISION									
1 PLACE \pm					APPR: MHUANG					2004/09/09					SD-73396-032					PSD					001					A5									
0 PLACES \pm					DRAFT WHERE APPLICABLE MUST REMAIN WITHIN DIMENSIONS					THIRD ANGLE PROJECTION					DRAWING					SERIES					MATERIAL NUMBER					CUSTOMER					SHEET NUMBER				
										C-SIZE					73396					SEE TABLE					GENERAL MARKET					2 OF 3									



ORDER QUANTITY
PACKED WITH 400
PIECES COMPONENTS

LABEL
- PART NUMBER
- QUANTITY
- DATE
- PO NO.

HANDLING DIRECTION

NOTES:
13" REEL SIZE FOR 400 PIECES COMPONENTS

FUNCTIONAL SYMBOLS	THIS DRAWING CONTAINS INFORMATION THAT IS PROPRIETARY TO MOLEX ELECTRONIC TECHNOLOGIES, LLC AND SHOULD NOT BE USED WITHOUT WRITTEN PERMISSION												
	DIMENSION UNITS	SCALE	CURRENT REV DESC: UPDATED PACKAGE PER EWR # 15350-A							molex			
$\frac{F}{A} = 0$	INCH/MM	NTS	GENERAL TOLERANCES (UNLESS SPECIFIED)									SMB JACK R/A PCB 50 OHMS EWR # 15350, SMB-J/PCB	
$\frac{E}{C} = 0$	ANGULAR TOL $\pm 2.0^\circ$		EC NO: 716535							PRODUCT CUSTOMER DRAWING			
$\frac{E}{P} = 0$	4 PLACES \pm		DRWN: ELIN				2022/08/01		DOCUMENT NUMBER				
DIVISIONAL SYMBOLS	3 PLACES \pm		CHK'D: YCHENG				2022/08/04		DOC TYPE				
	2 PLACES \pm		APPR: YCHENG				2022/08/04		DOC PART				
	1 PLACE \pm		INITIAL REVISION:				2004/09/09		REVISION				
	0 PLACES \pm		DRWN: ELIN				2004/09/09		SD-73396-032				
DRAFT WHERE APPLICABLE MUST REMAIN WITHIN DIMENSIONS		THIRD ANGLE PROJECTION		DRAWING		SERIES		MATERIAL NUMBER		CUSTOMER		SHEET NUMBER	
				C-SIZE		73396		SEE TABLE		GENERAL MARKET		3 OF 3	