

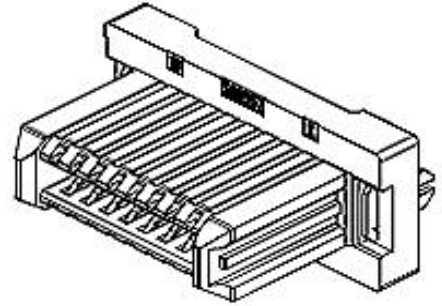
**Part Number :** [5035571600](#)

**Product Description :** 2.00mm (.079") Pitch Wire-to-Board PCB Receptacle, Through Hole, Dual Row, Vertical, With Floating Feature for Blind Mating, 16 Circuits

**Series Number :** 503557

**Status :** Not Recommended For New Design

**Product Category :** PCB Headers and Receptacles



---

## Documents and Resources

### Drawings

[5035571600 sd.pdf](#)

### 3D Models and Design Files

[STEP AP242](#)

[SOLIDWORKS](#)

[Creo](#)

[Symbol and Footprint \(Multi-Format\)](#)

### Specifications

[AS-503557-001-001.pdf](#)


[SPK-503557-001-001.pdf](#)

[PS-503557-001-001.pdf](#)

---

## Product Environment Compliance

### Compliance

GADSL/IMDS	Compliant with Exemption 44; 33
China RoHS	 per SJ/T 11365-2006
EU ELV	Not Relevant
Low-Halogen Status	Not Low-Halogen per IEC 61249-2-21
REACH SVHC	Not Contained per D(2025)7771-DC (04 Feb 2026)
EU RoHS	Compliant per EU 2015/863

## Compliance Statements

- EU RoHS
- REACH SVHC
- Low-Halogen

## Industry Documents

- IPC 1752A Class C
- IPC 1752A Class D
- Molex Product Compliance Declaration
- IEC-62474
- chemSHERPA (xml)

## Substances of Interest

- PFAS

## EU RoHS Certificate of Compliance

## Additional Product Compliance Information

---

## Part Details

### General

Status	Not Recommended For New Design
Category	PCB Headers and Receptacles
Series	0.80 Floating
Description	2.00mm (.079") Pitch Wire-to-Board PCB Receptacle, Through Hole, Dual Row, Vertical, With Floating Feature for Blind Mating, 16 Circuits
Application	Wire-to-Board
Component Type	PCB Receptacle
Product Name	N/A
UPC	884982144170

### Electrical

Current - Maximum per Contact	2.0A
Voltage - Maximum	125V

### Physical

Circuits (Loaded)	16
Circuits (maximum)	16

Color - Resin	Black
Durability (mating cycles max)	100
First Mate / Last Break	No
Glow-Wire Capable	No
Guide to Mating Part	Yes
Lock to Mating Part	Yes
Material - Plating Mating	Gold
Material - Plating Termination	Tin
Material - Resin	Polyester
Net Weight	3993.840/mg
Number of Rows	2
Orientation	Vertical
Packaging Type	Tray
PCB Retention	Yes
PCB Thickness - Recommended	1.60mm
PC Tail Length	3.00mm
Pitch - Mating Interface	2.00mm
Polarized to PCB	Yes
(p)ower-(s)ignal Configuration	16s - 0p
Temperature Range - Operating	-40° to +85°C
Termination Interface Style	Through Hole

---

## Mates With / Use With

### Mates with Part(s)

Description	Part Number
2.00mm Pitch Wire-to-Board Dual Row Plug Housings	<u><a href="#">503559</a></u>

### Use with Part(s)

Description	Part Number
2.00mm (.079") Diameter Male Crimp Terminals	<u><a href="#">503561</a></u>

---

This document was generated on May 04, 2026