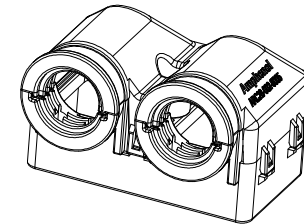
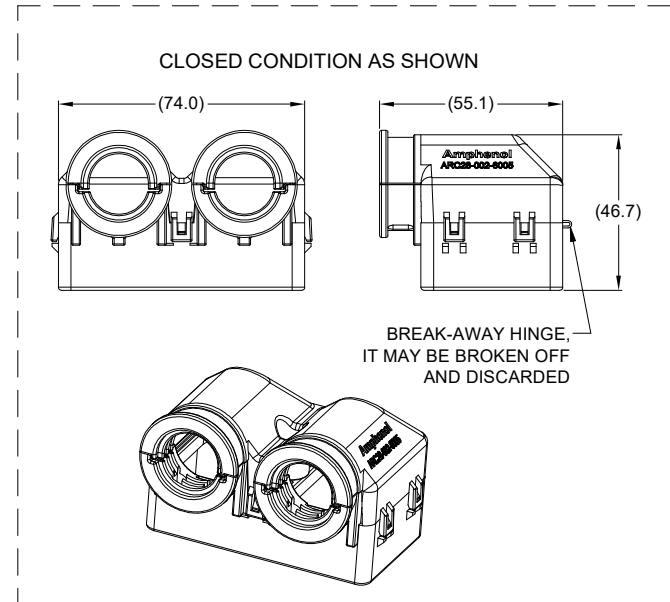
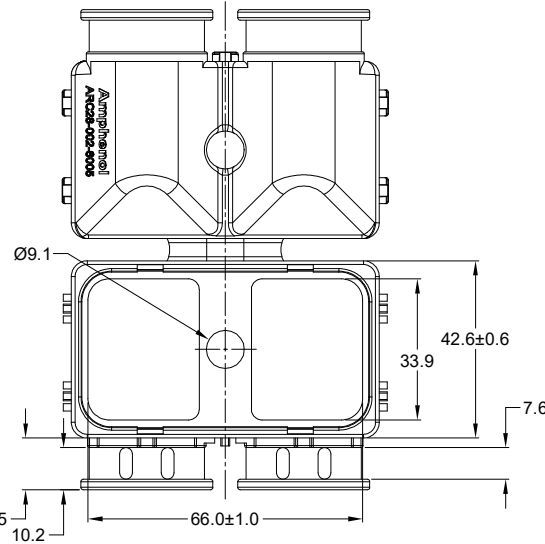
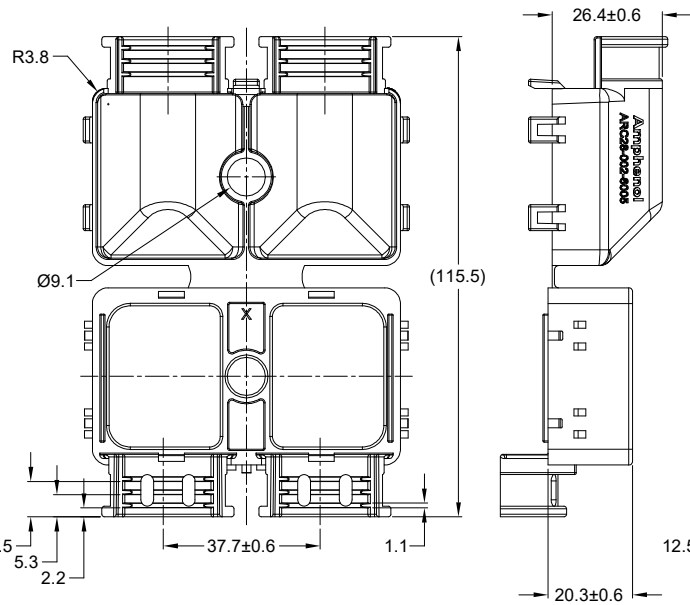
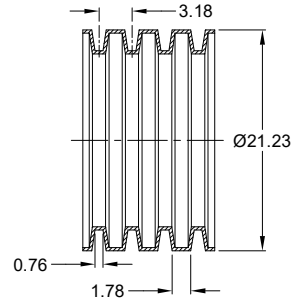


REVISIONS					
REV	ECO	DESCRIPTION	DATE	BY	APPR
A1	-	RELEASE DRAWING	30/JUL/25	KELIN	TOMMY



NOTES: UNLESS OTHERWISE SPECIFIED

1. MATERIAL: THERMOPLASTIC; COLOR: BLACK.
2. THIS PART SNAPS ONTO ARC26-60S* (*= 01,04,05,06,07).
3. RECOMMENDED CONVOLUTE TUBING DIMENSIONS ARE FOR REFERENCE ONLY,CUSTOMER SUPPLIED.
4. RoHS COMPLIANT
5. ALL DIMENSIONS ARE FOR REFERENCE USE ONLY.



3 CONVOLUTE TUBING DIMENSIONS REFERENCE

QUANTITY	ARC28-002-6005	REF:0528-002-6005	ITEM
PART NUMBER		DESCRIPTION	
MATERIALS LIST			
UNLESS OTHERWISE SPECIFIED 1) All dimensions are in metric(mm). 2) Tolerances are as follows: 1 PL DEC ±0.30 Fractions ±1/64 2 PL DEC ±0.15 Angles ±1° 3 PL DEC ±0.08 3) Note reference =		SIGNATURES DRAWN: KELIN 28/JUL/25 CHECKED: SULLEN 29/JUL/25 ENGINEER: APPROVAL: TOMMY 30/JUL/25	Amphenol Sine Systems - www.amphenol-sine.com 44724 Morley Drive Clinton Township, MI 48036
MATERIAL SPECIFICATIONS: WEIGHT: 35.6g		CUSTOMER: THIS DRAWING IS SUPPLIED FOR INFORMATION ONLY. DESIGN FEATURES, SPECIFICATIONS AND PERFORMANCE DATA SHOWN HEREON ARE THE PROPERTY OF THE AMPHENOL CORPORATION. NO RIGHTS OF REPRODUCTION ARE IMPLIED. ALL DIMENSIONS ARE SUBJECT TO NORMAL MANUFACTURING VARIATIONS.	90° BACKSHEL FOR 60 PIN PLUG,VERTICAL SIZE 20 CNT,ARC SERIES,BLACK
PROCESS SPECIFICATIONS: NEXT ASSY:		SIZE B C-	DWG NO: ARC28-002-6005 REVISION A1
SCALE: NONE		SHEET 1 OF 1	

TITLE: 90° BACKSHEL FOR 60 PIN PLUG,VERTICAL SIZE 20 CNT,ARC SERIES,BLACK DWG NO: ARC28-002-6005 REV: A1 SH: 1 OF: 1