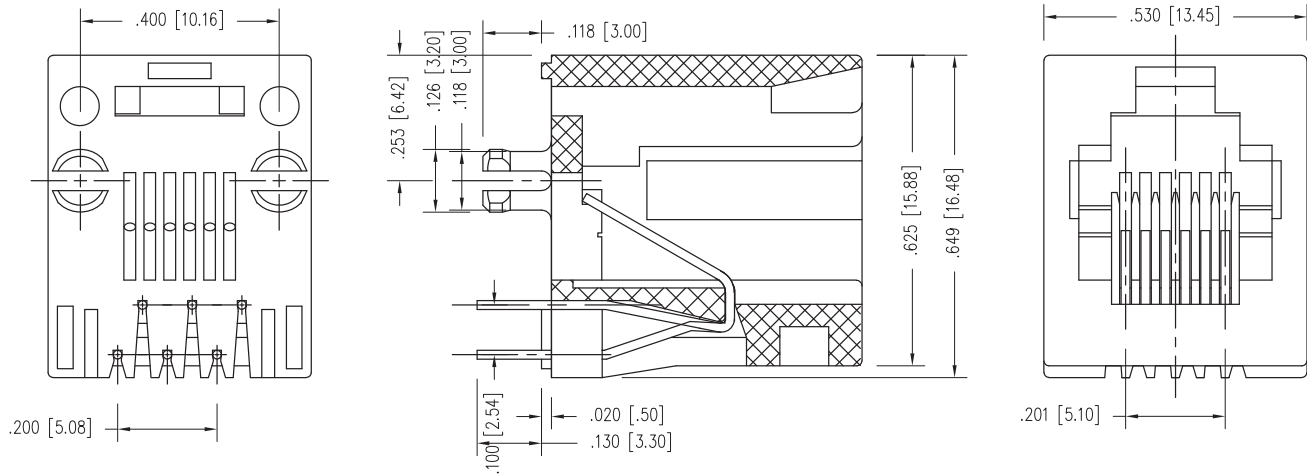


DATE	REV	ECN	APP'D. BY
5/27/22	A0	11991	JME
6/27/22	A1	12012	JE

B

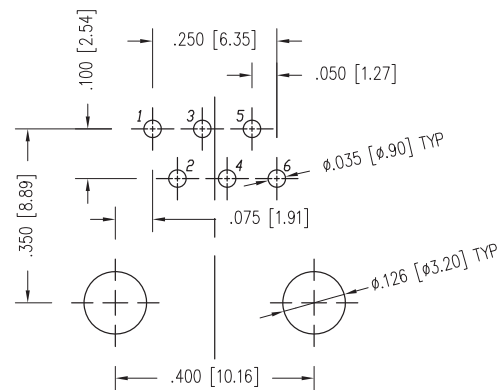
B



- NOTES:
- CONNECTOR MATERIALS**
HOUSING: THERMOPLASTIC UL94 V-0
CONTACT PLATING: SELECTIVE GOLD OR EQUIVALENT IN THE CONTACT AREA
SEE CHART FOR PART NUMBER
 - OPERATING LIFE: 750 CYCLES MIN
 - DIMENSIONS AND TOLERANCES COMPLY WITH TIA-1096 STANDARD.
 - ELECTRICAL**
VOLTAGE RATING: 150 VAC RMS
CURRENT RATING: 1.5 AMP
CONTACT RESISTANCE: 20 mΩ MAX
INSULATION RESISTANCE: 1000 MΩ MIN @ 500 VDC.
DIELECTRIC STRENGTH: 1000V DC OR AC PEAK; CONTACT TO CONTACT @0.5mA 50Hz or 60Hz PER MIN
 - ENVIRONMENTAL**
STORAGE TEMPERATURE: -40° C to 85° C
OPERATIONAL TEMPERATURE: -40° C to 85° C

A

A



RECOMMENDED PCB FOOTPRINT (COMPONENT SIDE)



15 MICRO-INCHES [0.76um]	SS-90000-010
CONTACT PLATING IN MATING AREA	PART NUMBER

THIRD ANGLE PROJECTION		11118 Susquehanna Trail South Glen Rock, PA 17327-9199 (717) 235-7512 http://www.stewartconnector.com
DO NOT SCALE DRAWING DRAWING IS SUBJECT TO CHANGE WITHOUT NOTICE		
DIMENSIONS: INCHES [METRIC]	TITLE: RJ12 ESSENTIALS JACK, VERTICAL MOUNT	DRN BY: BTS DATE 03/07/22
UNLESS OTHERWISE SPECIFIED TOLERANCES ARE ±.005 [0.13] ANGLES ARE ± 1°	THIS DRAWING AND THE SUBJECT MATTER SHOWN THEREON ARE CONFIDENTIAL AND THE PROPRIETARY PROPERTY OF STEWART CONNECTOR AND SHALL NOT BE REPRODUCED, COPIED, OR USED IN ANY MANNER WITHOUT PRIOR WRITTEN CONSENT OF STEWART CONNECTOR. ONE OR MORE U.S. PATENTS MAY APPLY TO THIS PRODUCT. FOR DETAILS, PLEASE VISIT: HTTP://BELFUSE.COM/STEWART/STEWART_PATENTS/	APPD BY: JE DATE 05/27/22
SHEET NO. 1 OF 1		DWG NO. CT900010 REV. A1