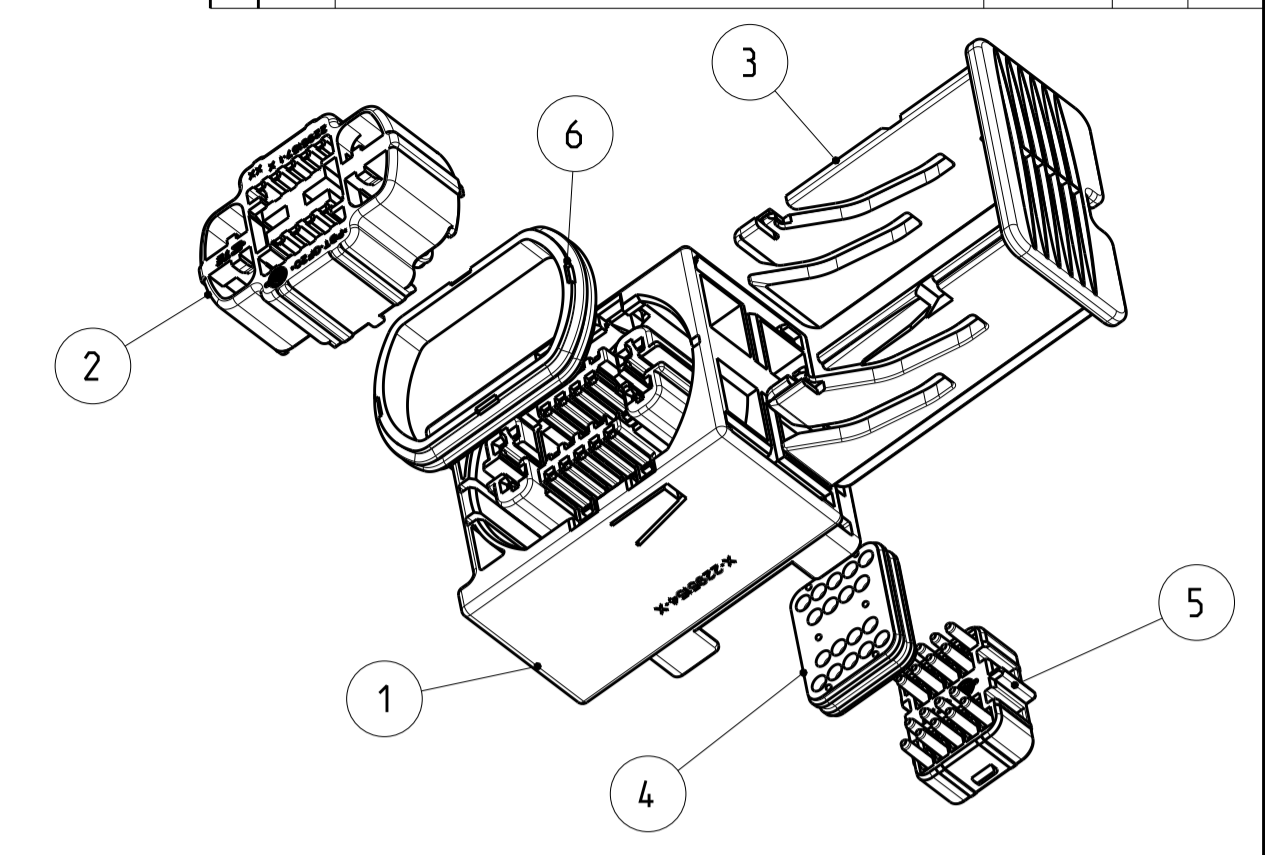
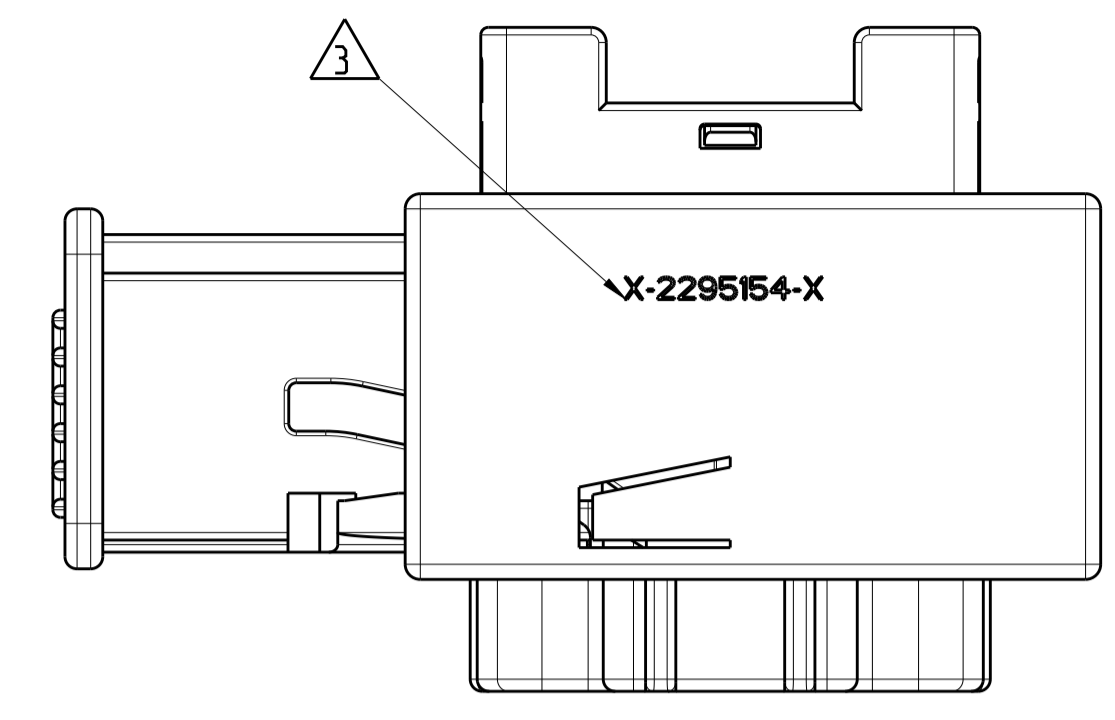
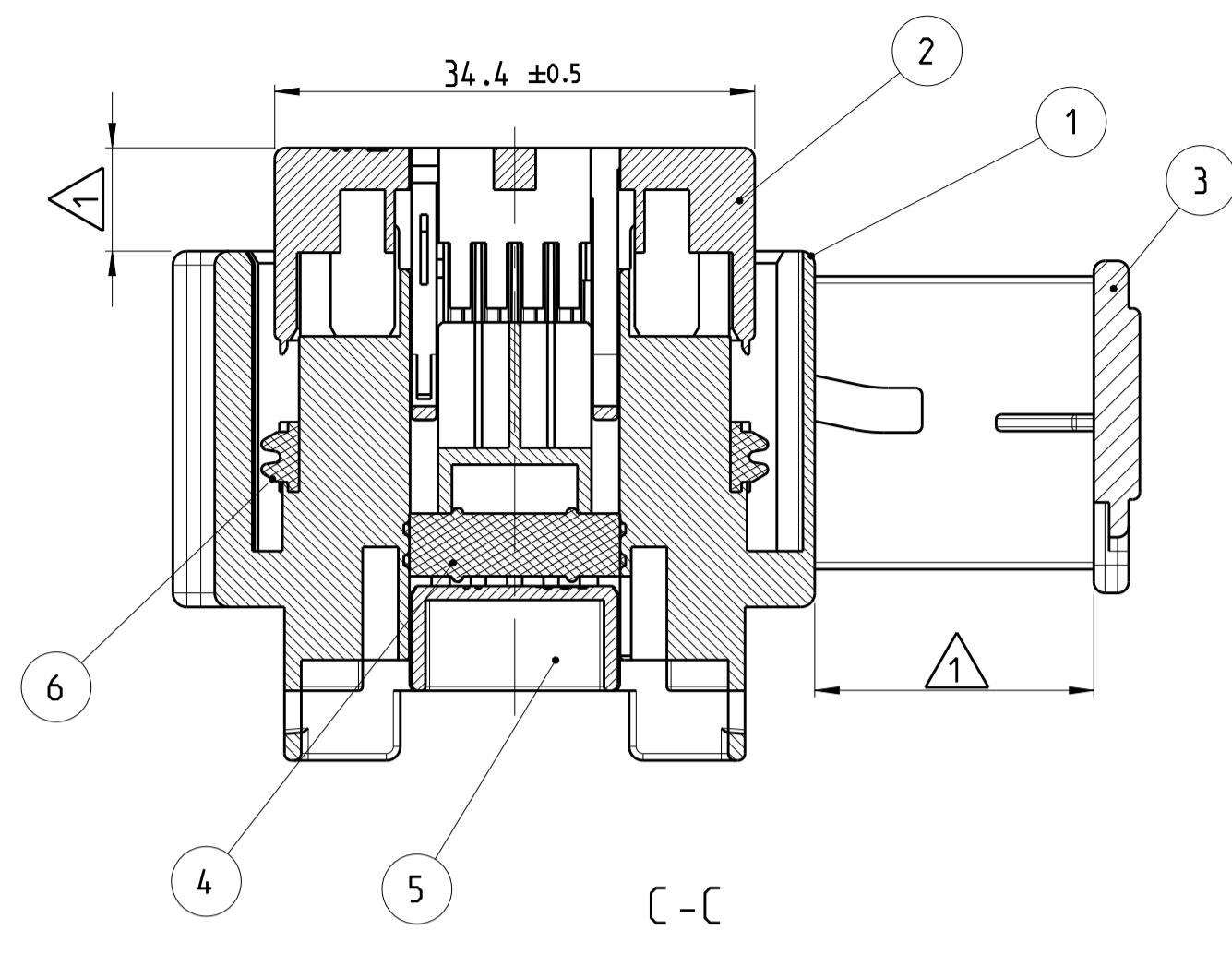
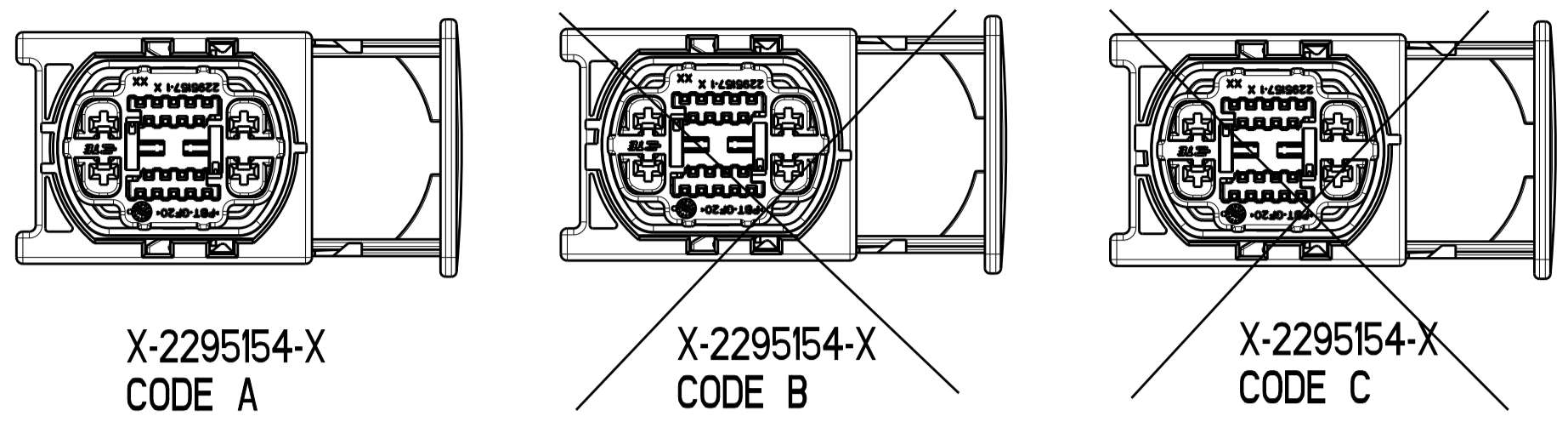
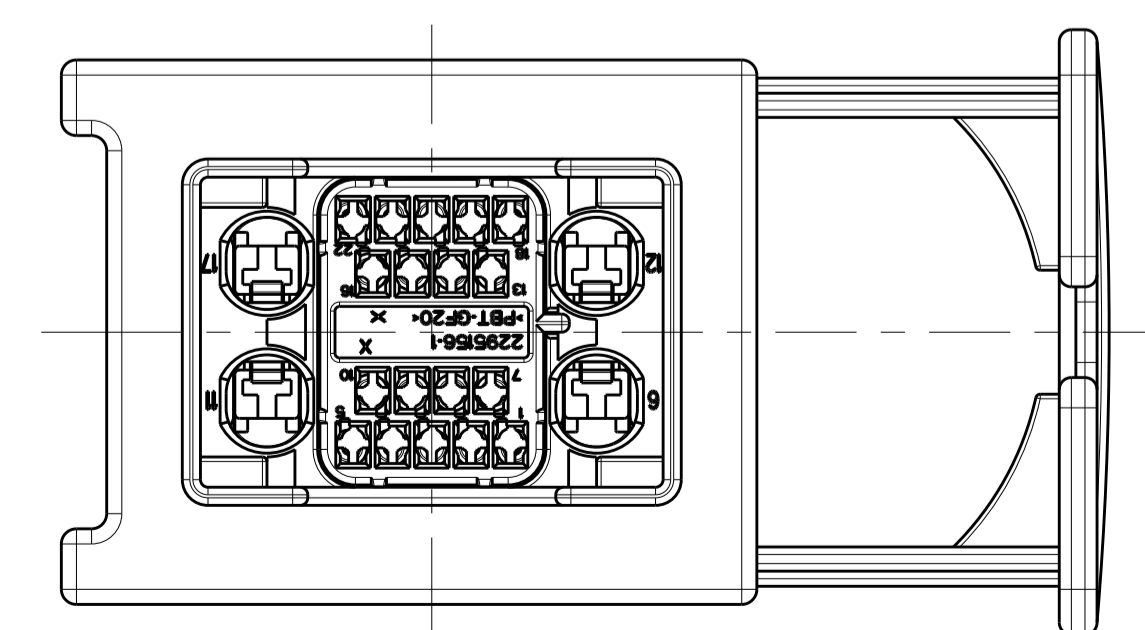
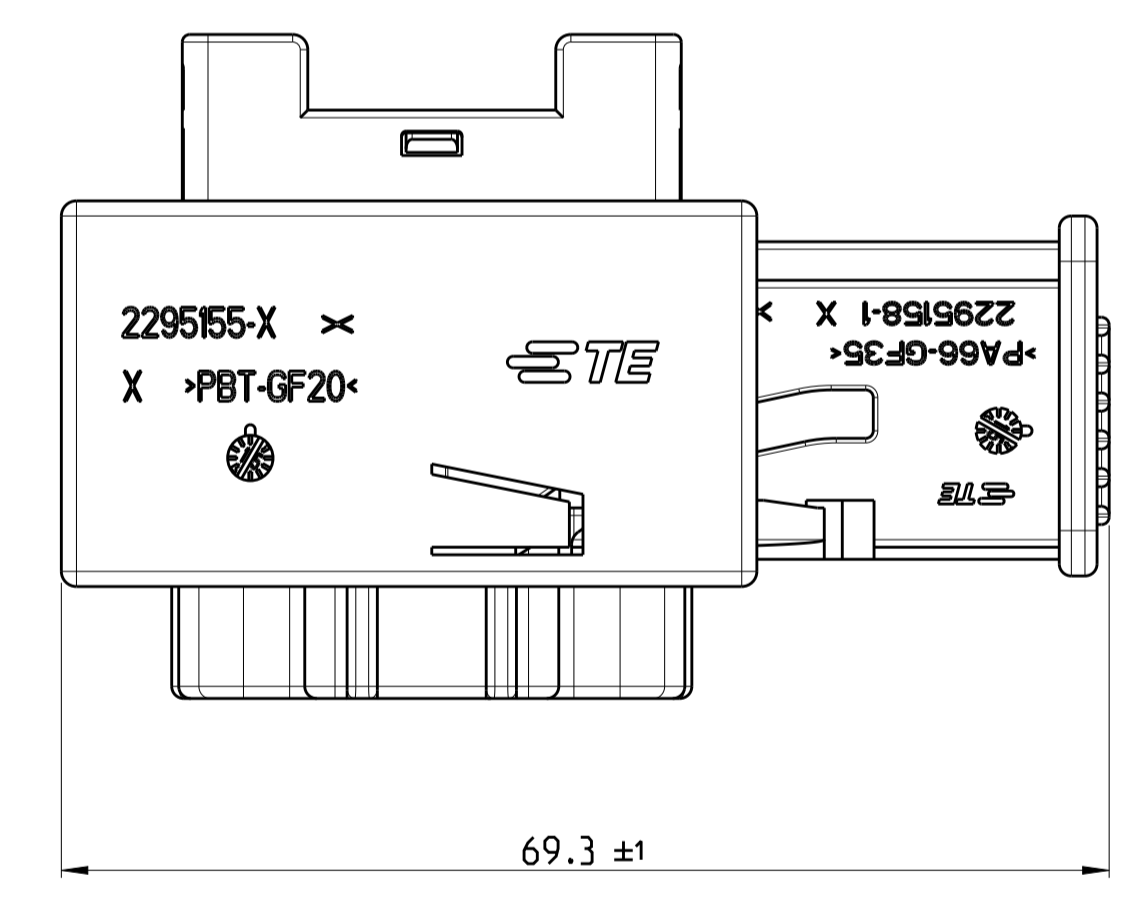
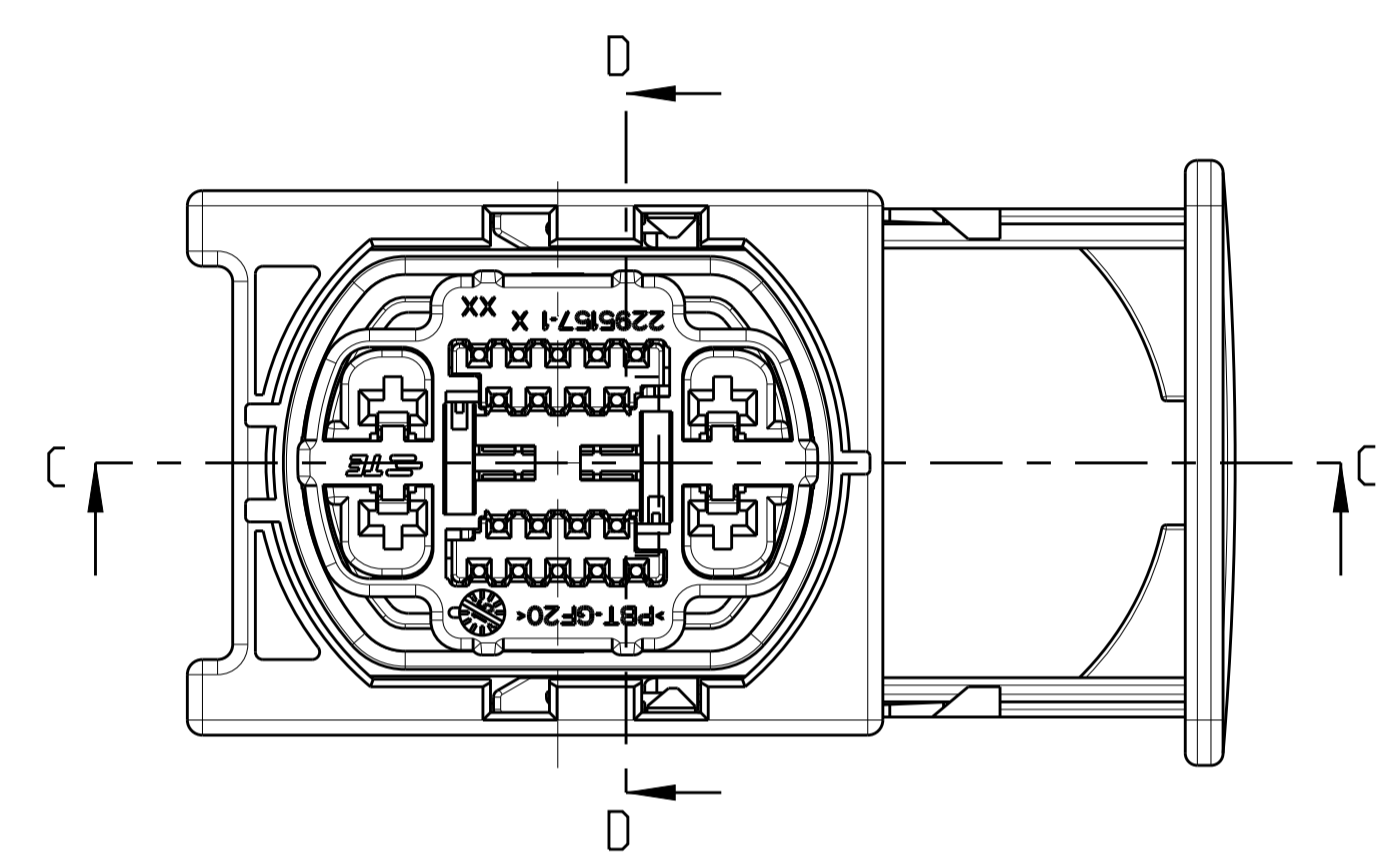
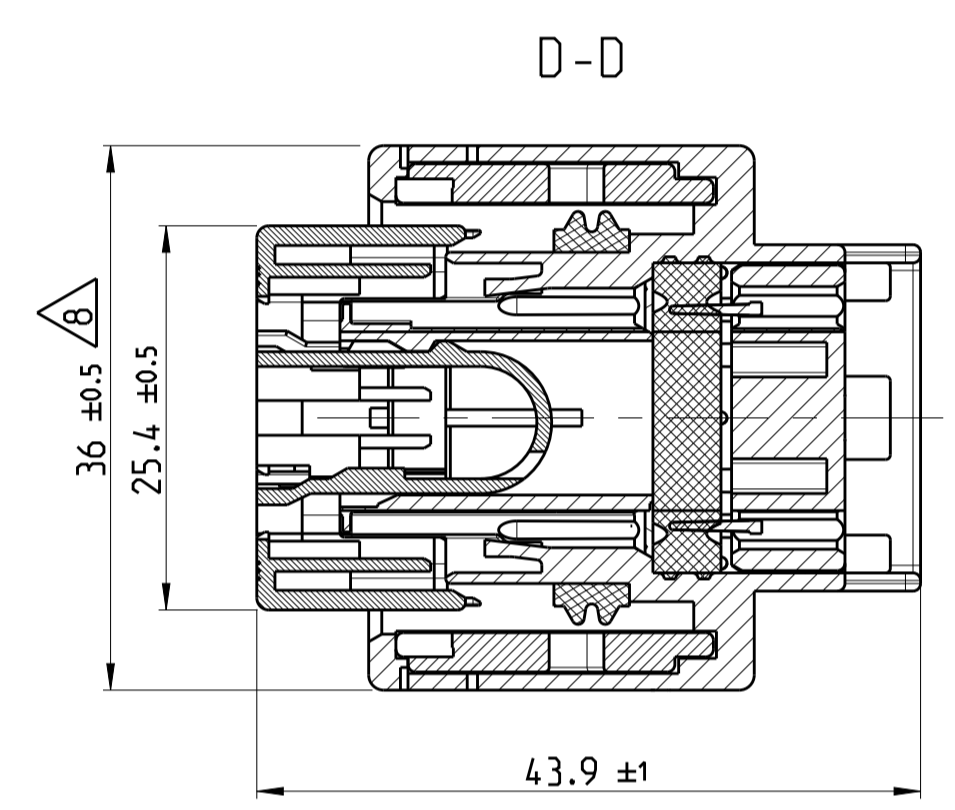


**CODINGS**  
1:1



REVISIONS				
P	LTR	DESCRIPTION	DATE	DWN APVD
B1		PCN E-16-012157	24AUG2016	KC GH
B2		SEE PCN E-17-000104	04JAN2017	GH HR
B3		ADD NEW PINOUT(SEE ECR-19-004710)	25MAR2019	E.Z I.Y
B4		ADD NEW PINOUT(SEE ECR-19-006579)	24APR2019	E.Z I.Y



**NOTES**

- 1 DELIVERY CONDITION: SPACER (TPA) IN PRE-LOCK POSITION, SLIDER IN PRE-LOCK POSITION
- 2 APPROPRIATE PINOUT CONFIGURATION OF THE MAT SEAL COVER ACC. TABLE PUNCHED OUT
- 3 TE ASSEMBLY PN ACC. PINOUT TABLE
- 4 MATING PART TE PN 2295167
- 5 SEALING FUNCTION OF THE MAT SEAL REQUIRES FOLLOWING WIRE SIZE DIMENSIONS: 0.35mm<sup>2</sup>-0.75mm<sup>2</sup> WITH CABLE OUTER DIAMETER 1.2-1.9mm FOR 0.64mm GENERATION Y SIGNAL TERMINALS
- 6 ONLY FOR INFORMATION. CHECK LATEST REVISION OF THE SUPPLIER SPECIFICATION FOR TERMINAL PROPERTIES
- 7 CONNECTOR VALIDATED TO USCAR2 REV. 6
- 8 WARPAGE MAX. -0.5mm ALLOWED

**APPLICABLE COMPONENTS BOX**

DESCRIPTION	PLATING /COLOUR	SUPPLIER	SUPPLIER PART NO. (WIRE SIZE)	TE APPL. SPEC.	TE PROD. SPEC.
0.64 GENERATION Y UNSEALED FEMALE TERMINAL	TIN	TE	2035334-1 (0.35-0.5mm <sup>2</sup> )	114-13183	-
0.64 GENERATION Y UNSEALED FEMALE TERMINAL	TIN	TE	2035334-2 (0.75mm <sup>2</sup> )	114-13183	-
0.64 GENERATION Y UNSEALED FEMALE TERMINAL	TIN	TE	2035334-3 (0.35-0.5mm <sup>2</sup> )	114-13183	-
0.64 GENERATION Y UNSEALED FEMALE TERMINAL	TIN	TE	2035334-4 (0.75mm <sup>2</sup> )	114-13183	-
0.64 GENERATION Y UNSEALED FEMALE TERMINAL	TIN	TE	2035334-6 (0.35mm <sup>2</sup> )	114-13183	-
0.64 GENERATION Y UNSEALED FEMALE TERMINAL	TIN	TE	2035334-8 (0.35mm <sup>2</sup> )	114-13183	-
2.8 SEALED FEMALE TERMINAL	TIN	YAZAKI	7116-4150-02 (0.35-0.5mm <sup>2</sup> )	-	-
2.8 SEALED FEMALE TERMINAL	TIN	YAZAKI	7116-4151-02 (0.75-1.0mm <sup>2</sup> )	-	-
2.8 SEALED FEMALE TERMINAL	TIN	YAZAKI	7116-4152-02 (1.5-2.5mm <sup>2</sup> )	-	-
2.8mm WIRE SEAL	GREEN	YAZAKI	7158-3111-60 (0.35-0.5mm <sup>2</sup> )	-	-
2.8mm WIRE SEAL	YELLOW	YAZAKI	7158-3112-70 (0.75-1.0mm <sup>2</sup> )	-	-
2.8mm WIRE SEAL	WHITE	YAZAKI	7158-3113-40 (1.5-2.5mm <sup>2</sup> )	-	-
2.8mm BLIND PLUG	BLUE	YAZAKI	7158-3114-90	-	-
CAVITY PLUG FOR 0.64 GENERATION Y UNSEALED FEMALE TERMINAL	YELLOW	TE	284583-1	-	-
WIRE COVER, CABLE EXIT 90°	BLACK	TE	2295173-1	114-94456	-
WIRE COVER, CABLE EXIT 180°	BLACK	TE	2297532-1	114-94456	-

TE-ORDER-NO.	REV. CODE	WEIGHT (g)	QTY	DESCRIPTION	COLOUR	ITEM NO.
X-2295145-X	A	C	-	RADIAL SEAL	GRASS GREEN	6
				1 MAT SEAL COVER	BLACK	5
				1 MAT SEAL	BLUE	4
				1 SLIDER	BLACK	3
				1 SPACER (TPA)	RED	2
				1 FEMALE HOUSING	BLACK	1
X-2295145-X	A	B	-	RADIAL SEAL	GRASS GREEN	6
				1 MAT SEAL COVER	BLACK	5
				1 MAT SEAL	BLUE	4
				1 SLIDER	BLACK	3
				1 SPACER (TPA)	RED	2
				1 FEMALE HOUSING	BLACK	1
X-2295154-X	A	A	-	RADIAL SEAL	GRASS GREEN	6
				1 MAT SEAL COVER	BLACK	5
				1 MAT SEAL	BLUE	4
				1 SLIDER	BLACK	3
				1 SPACER (TPA)	RED	2
				1 FEMALE HOUSING	BLACK	1

REV	TE PART NUMBER	TOTAL OPEN	TOTAL BLOCKED	1	2	3	4	5	6	7	8	9	10	11	12	13	14	15	16	17	18	19	20	21	22
B	0-2295154-6	19	3																						
B	0-2295154-5	15	7																						
B	0-2295154-4	12	10	2																					
B	0-2295154-3	13	9																						
B	0-2295154-2	16	6	2																					
B	0-2295154-1	17	5																						
B	9-2295154-9	22	0																						

△ NUMBERED CAVITIES - INDICATE PLUGGED HOLE LOCATION  
 □ BLANK CAVITIES - INDICATE OPEN HOLE LOCATION  
 ○ CAVITIES NUMBERED - 0 - INDICATES ALWAYS OPEN (2.8mm CAV.)

THIS DRAWING IS A CONTROLLED DOCUMENT. DIMENSIONING AND TOLERANCING PER GPS (ISO STANDARDS) UNLESS OTHERWISE SPECIFIED.

TE Connectivity  
**STE**  
 FEMALE HOUSING ASSEMBLY, SEALED, 22WAY CONNECTOR

SIZE: 114-94456  
 WEIGHT: -  
 SCALE: 2:1  
 SHEET: 1 OF 1  
 REV: B4