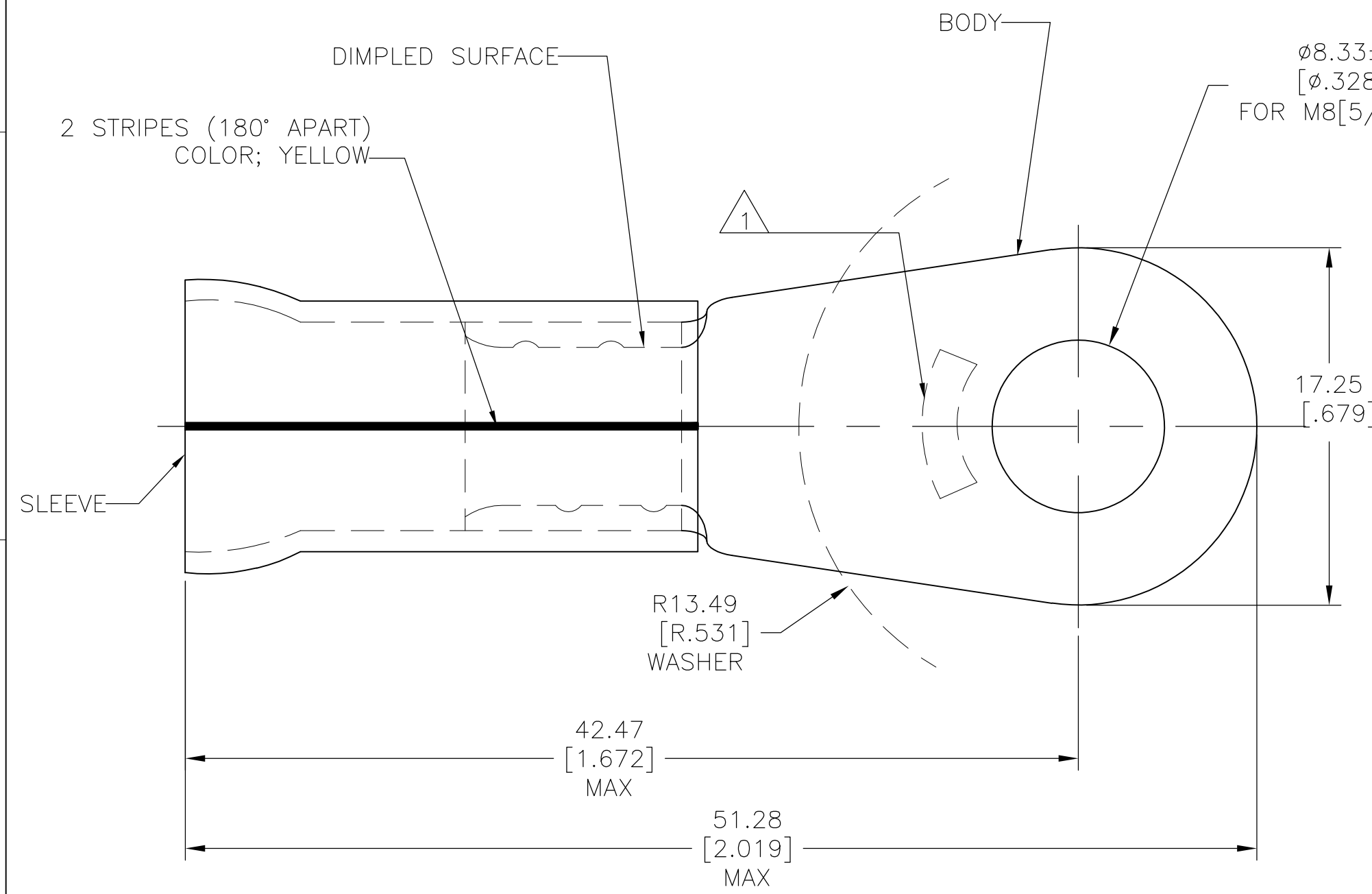


THIS DRAWING IS UNPUBLISHED. RELEASED FOR PUBLICATION
 © COPYRIGHT - By - ALL RIGHTS RESERVED.

LOC	DIST	REVISIONS					
G	14	P	LTR	DESCRIPTION	DATE	DWN	APVD
		A2		REVISED PER ECO-13-002445	09FEB13	KH	DR

AMP WIRE RANGE
4 AWG STRANDED



- 1 STAMP AMP 4*, LOCATE APPROX AS SHOWN.
- 2 TONGUE MATL: THK 1.22±0.08 [.048±.003].
- 3 WIRE INSULATION DIA 13.08 [.515] MAX.
- 4 FINISH,
BODY - TIN/LEAD (93-7) PLATE PER ASTM B545
SLEEVE - COLOR - NATURAL
- 5 MATERIAL,
BODY - COPPER PER ASTM B-152
SLEEVE - PVF2
- 6 NOTE DELETED.

100	LOOSE PIECE	1958167-1
QTY	PACKAGE TYPE	PART NO

AMP INCORPORATED CUSTOMER SERVICE SYSTEMS		MAX RECOMMENDED OPERATING TEMPERATURE: 150°[302°F]
FOR ADDITIONAL PRODUCT INFORMATION OR COPIES OF DRAWINGS AND TECHNICAL DOCUMENTS	PRODUCT INFORMATION CENTER 1-800-522-6752	VOLTAGE RATING: 600 V MAX
FOR APPLICATION TOOLING INFORMATION	TOOLING ASSISTANCE CENTER 1-800-722-1111	CIRCULAR MIL AREA: 16.67-26.65mm ² [33,100-52,600] STRANDED
FOR ORDER ENTRY	1-800-526-5142	THIS DRAWING IS A CONTROLLED DOCUMENT FOR AMP INCORPORATED. IT IS SUBJECT TO CHANGE AND THE CONTROLLING ENGINEERING ORGANIZATION SHOULD BE CONTACTED FOR THE LATEST REVISION.

THIS DRAWING IS A CONTROLLED DOCUMENT.

DIMENSIONS:	TOLERANCES UNLESS OTHERWISE SPECIFIED:
mm [INCHES]	
	0 PLC ± -
	1 PLC ± -
	2 PLC ± 0.25 [.008]
	3 PLC ± -
	4 PLC ± -
	ANGLES ± 5°

MATERIAL 5 FINISH 4

DWN jr_ruth 05OCT07	STE TE Connectivity	
CHK T MICHELUTTI 05OCT07	NAME	
APVD T MICHELUTTI 05OCT07	TERMINAL, RING TONGUE, PVF2, PLASTI-GRIP, WIRE SIZE: 4 AWG	
PRODUCT SPEC	SIZE	CAGE CODE
APPLICATION SPEC	A3	00779
WEIGHT -	DRAWING NO	RESTRICTED TO
CUSTOMER DRAWING	C-1958167	-
SCALE 4:1	SHEET 1 OF 1	REV A2