

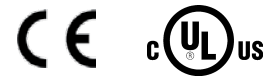


Enclosures for HW, TW & XW 22mm Switches & Pilot Devices

- Features**
- Three compact sizes (mm): 76 x 76, 140 x 76 and 200 x 76
 - Available in 1, 2, 3, 4 or 5 mounting hole configurations
 - Easy installation: panel, wall or frame mountable
 - Polycarbonate enclosure cover and base, stainless steel screws
 - UL Listed, RoHS Compliant
 - IP65 and Nema Type 4X rated (when installed with IP65 or Nema Type 4X unit)
 - Class II electric shock protection (when installed with applicable unit)
 - Ideal for high temperatures (-25 to 60°C) & corrosive environments



Switches & pilot devices are sold separately.



Specifications

Operating Conditions	Ambient temperature	-25 to +60°C (no freezing)
	Relative humidity	45 to 85%RH (no condensation)
	Storage temperature	-40 to +80°C (no freezing)
	Degree of pollution	3
Degree of Protection	IP65 (when IP65 switches & pilot devices are installed) NEMA Type 4X Indoor Use Only (when Type 4X switches & pilot devices are installed)	
Electric Shock Protection	Class II (when class II switches & pilot devices are installed)	
Material	Cover and base	Polycarbonate
	Cover mounting screws	Stainless steel
Applicable Switches & Pilot Devices	HW, TW and XW series switches, pilot devices & accessories (see note below)	
Weight (approx.)	76mm type: 125g (FB1W-111Z) 140mm type: 184g (FB2W-211Z) 200mm type: 243g (FB3W-311Z)	

Note: Choose switches, pilot devices and accessories that match the mounting hole centers, effective depth behind the cover, and the thickness of the cover where switches and pilot devices are installed (3 mm). Enclosures with 30 or 36mm mounting hole centers may limit the knob orientation of selector switches because the contact blocks can be mounted in one direction only on these mounting centers.

Enclosure Part Numbers

Size (mm)	Description	Part Number	Distance Between Hole Centers (mm)
76 x 76 x 59.5	Enclosure 1 hole, Yellow	FB1W-111Y	-
	Enclosure 1 hole, Beige	FB1W-111Z	-
140 x 76 x 59.5	Enclosure 2 hole, Beige	FB2W-211Z	50
	Enclosure 3 hole, Beige	FB2W-312Z	30
200 x 76 x 59.5	Enclosure 3 hole, Beige	FB3W-311Z	50
	Enclosure 4 hole, Beige	FB3W-413Z	36
	Enclosure 5 hole, Beige	FB3W-512Z	30

Accessories

Description	Part Number
Plug Adaptor 13.5mm	HW9Z-PG135
Mounting Bracket	FB9Z-PK1

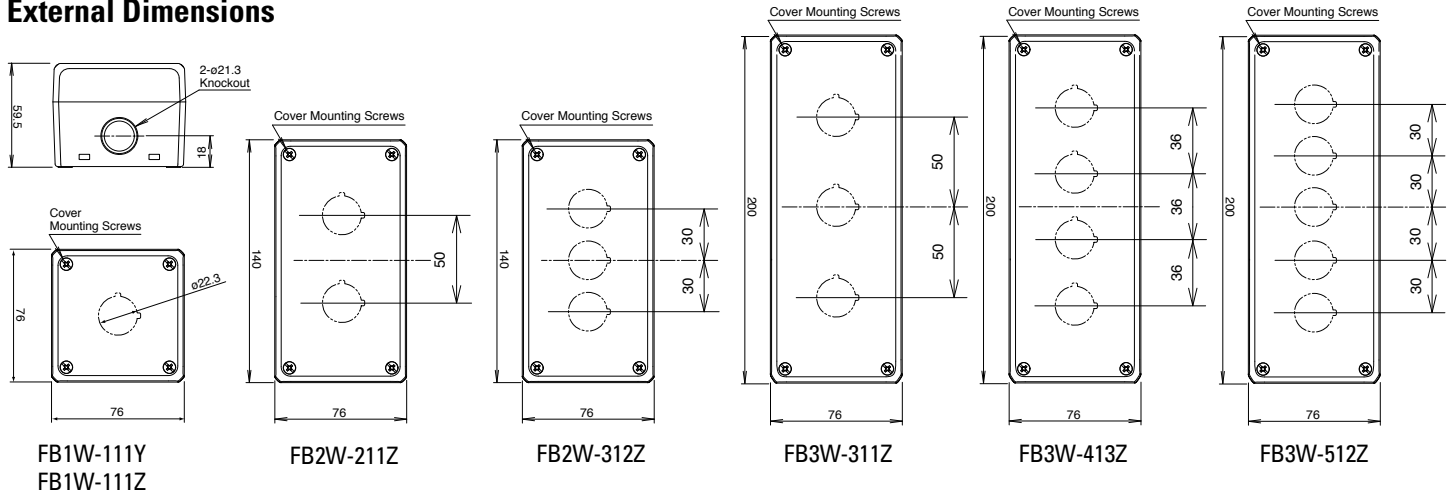
Note: Connectors and nuts are not supplied with accessories.

Switch & Pilot Device Accessories

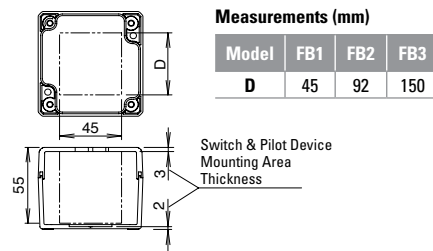
Series	Description	Part Number
HW Series	Nameplate	HWAM, HWAQ, HWAS, HWAV
	Marking plate for nameplate	HWNP
	Anti-rotation ring	HW9Z-RL
	EMO switch guard	HW9Z-KG1, HW9Z-KG2 HW9Z-KG3, HW9Z-KG4
	Switch cover	HW9Z-K1, HW9Z-K11
	Pushbutton clear boot	OC-31, OC-32
	Padlock cover	HW9Z-KL1
XW Series E-Stops	Nameplate	HWAV
	EMO switch guard	HW9Z-KG1, HW9Z-KG2 HW9Z-KG3, HW9Z-KG4
	Anti-rotation ring	HW9Z-RL
TW Series	Nameplate	NWA, NWAQ, NWA-0, NWAQ-0, NWAQL-0, NWA-0, NWAQL-0, NWAV
	Anti-rotation ring	OGL-31
	Metal button guard	OLW-C
	Pushbutton clear boot	OC-31, OC-32
	Button cover	OCW-11
	Padlock cover	HW9Z-KL1

Specifications can't on back

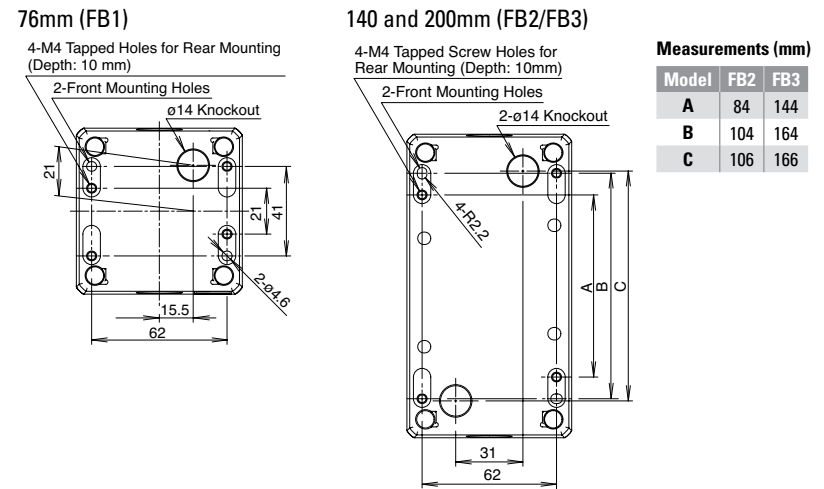
External Dimensions



Internal Dimensions

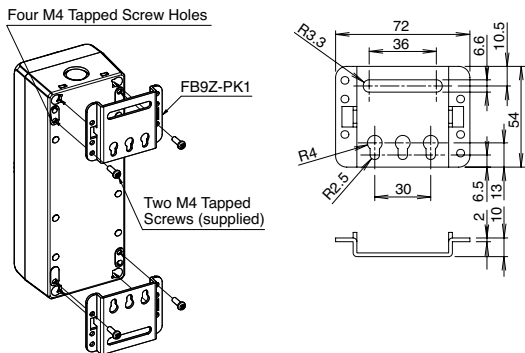


External Back Dimensions



Mounting

FB9Z-PK1 Frame Mounting Adapter



All dimensions are in mm.

Mounting Hole Dimensions

Model	FB1	FB2	FB3	FB2/FB3
		50mm Mounting Centers	36/50mm Mounting Centers	30mm Mounting Centers
Shape				



IDEC Corporation • 1175 Elko Drive • Sunnyvale, CA 94089 • 800-262-IDEC (4332) • Fax: 408-745-5258 • www.idec.com

©2007 IDEC Corporation. All Rights Reserved. Catalog No. FB9Y-DS100-0 1/07 10K