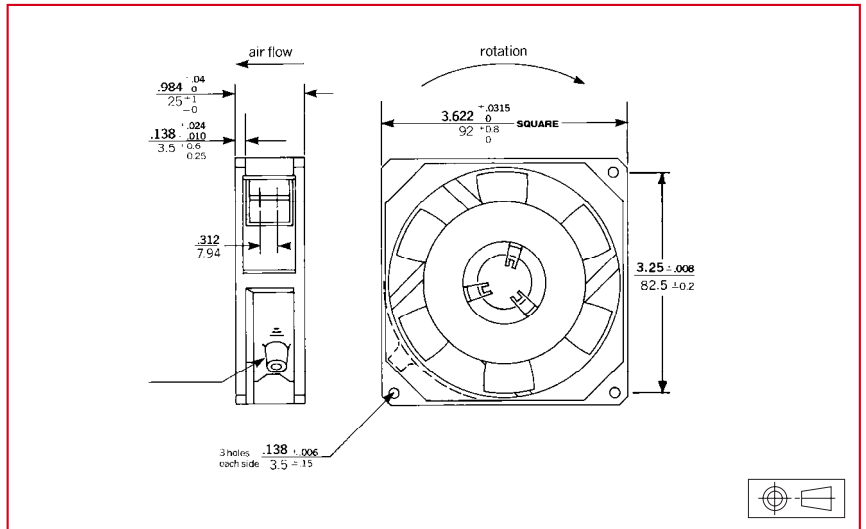


AC Axial Fans



**Approvals**



GAMT 1 listed

**Life expectancy**

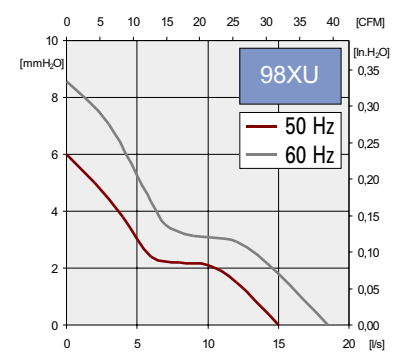
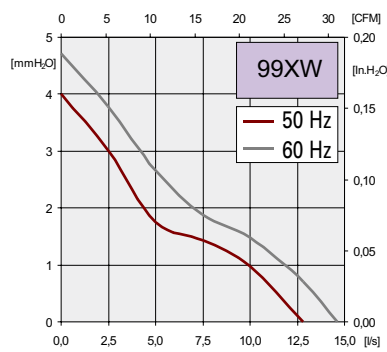
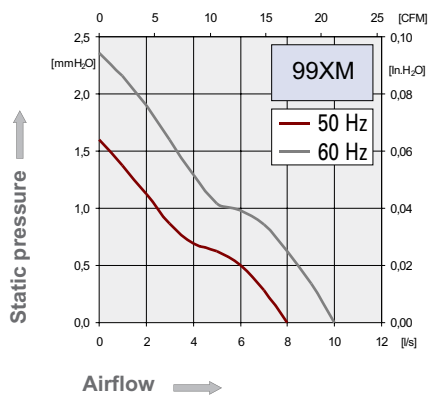
L-10 LIFE AT 40°C:  
80 000 hours (ball bearings)  
50 000 hours (sleeve bearings)

**AC Motor**

Electrical protection: impedance protected  
Housing material: zamak  
Impeller material: plastic UL 94 VO  
Weight: 0,395 kg

**Available with:**

- flying leads
- speed sensor



| Part number | Nominal voltage | Airflow | Noise level | Nominal speed | Frequency | Phases | Capacitor | Input power | Nominal current | Starting current | Bearing system |        | Connection type |           | Operating temperature |         |
|-------------|-----------------|---------|-------------|---------------|-----------|--------|-----------|-------------|-----------------|------------------|----------------|--------|-----------------|-----------|-----------------------|---------|
|             | V               | l/s     | dB(A)       | RPM           | Hz        |        | µF        | W           | mA              | mA               | Ball           | Sleeve | Leads           | Terminals | Min. °C               | Max. °C |
| 99XM0182000 | 115             | 8       | 21          | 1500          | 50        | 1      |           | 7           | 75              | 80               | X              |        |                 | X         | -10                   | 70      |
|             |                 | 10      | 25,5        | 1800          | 60        | 1      |           | 6           | 65              | 70               | X              |        |                 | X         | -10                   | 70      |
| 99XM0181000 | 208-240         | 8       | 21          | 1500          | 50        | 1      |           | 8           | 40              | 45               | X              |        |                 | X         | -10                   | 70      |
|             |                 | 10      | 25,5        | 1800          | 60        | 1      |           | 7           | 35              | 40               | X              |        |                 | X         | -10                   | 70      |
| 99XM2182000 | 115             | 8       | 20          | 1500          | 50        | 1      |           | 7           | 75              | 80               |                | X      |                 | X         | -10                   | 55      |
|             |                 | 10      | 25          | 1800          | 60        | 1      |           | 6           | 65              | 70               |                | X      |                 | X         | -10                   | 55      |
| 99XM2181000 | 208-240         | 8       | 20          | 1500          | 50        | 1      |           | 8           | 40              | 45               |                | X      |                 | X         | -10                   | 55      |
|             |                 | 10      | 25          | 1800          | 60        | 1      |           | 7           | 35              | 40               |                | X      |                 | X         | -10                   | 55      |
| 99XW0182000 | 115             | 12      | 32          | 2200          | 50        | 1      |           | 8           | 85              | 100              | X              |        |                 | X         | -10                   | 70      |
|             |                 | 14      | 35,5        | 2500          | 60        | 1      |           | 6           | 70              | 90               | X              |        |                 | X         | -10                   | 70      |
| 99XW0181000 | 208-240         | 12      | 32          | 2200          | 50        | 1      |           | 9           | 50              | 60               | X              |        |                 | X         | -10                   | 70      |
|             |                 | 14      | 35,5        | 2500          | 60        | 1      |           | 7           | 40              | 50               | X              |        |                 | X         | -10                   | 70      |
| 99XU0182000 | 115             | 15      | 38          | 2700          | 50        | 1      |           | 12          | 135             | 200              | X              |        |                 | X         | -10                   | 70      |
|             |                 | 18,5    | 42          | 3200          | 60        | 1      |           | 9           | 105             | 190              | X              |        |                 | X         | -10                   | 70      |
|             |                 | 18,5    | 42          | 3200          | 60        | 1      |           | 11          | 60              | 90               | X              |        |                 | X         | -10                   | 70      |
| 99XU0181000 | 208-240         | 15      | 38          | 2700          | 50        | 1      |           | 14          | 70              | 100              | X              |        |                 | X         | -10                   | 70      |
|             |                 | 15      | 38          | 2700          | 50        | 1      |           | 14          | 70              | 100              | X              |        |                 | X         | -10                   | 70      |
|             |                 | 18,5    | 42          | 3200          | 60        | 1      |           | 11          | 60              | 90               | X              |        |                 | X         | -10                   | 70      |

\* 99XW & 99XU also available with sleeve bearings: P/N: 99XW2182000 (115V); 99XW2181000 (208-240V); 99XU2182000 (115V); 99XU2181000(208-240V)

**Additional versions:**

Salt spray protected; shock and vibration protected  
Marine specifications; wide temperature range

**Accessories:**

- Plastic finger guards P/N : PFG-92 and 91-53  
- Plastic filter P/N : F90/T102

- Rubber mounts P/N : AM-10  
- Metal finger guard P/N : 9901-43  
- Metal mesh filter P/N : 90-G