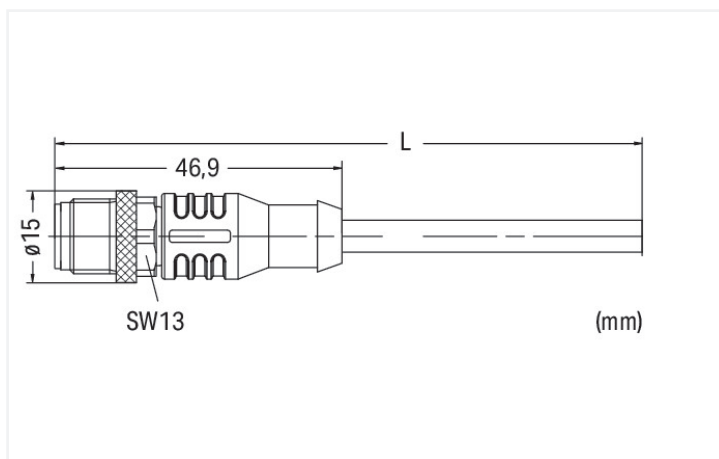
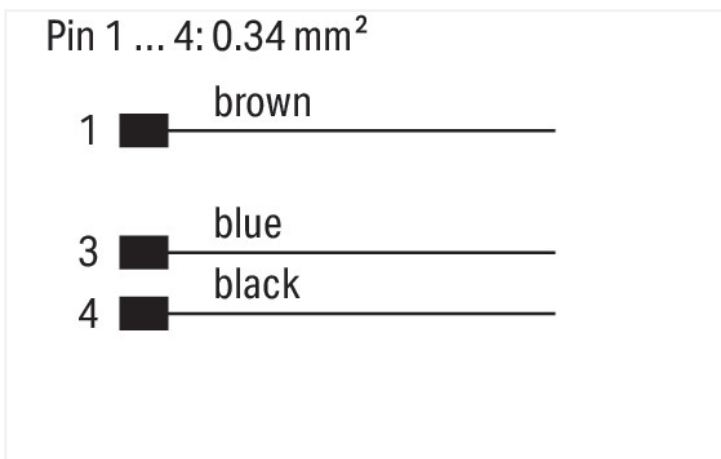


Similar to illustration



Dimensions in mm

Short description:

- PUR, halogen-free
- Suitable for drag chains
- High resistance to microbes, hydrolysis, oil, chemicals and UV radiation
- High chemical resistance
- Cable used: UL listed

Technical data

General information	
Operating voltage	250 VAC/DC
Operating current	4 A
Rated impulse withstand voltage	2.5 kV
Insulation resistance	>10 ⁹ Ω
Contact resistance	10 mΩ
Conductor resistance	≤ 60 Ω/km
Pollution degree	3 per VDE 0110
Protection type	IP67
Ambient (operating) temperature (static)	-50 ... +90 °C

General information	
Ambient (operating) temperature (dynamic)	-25 ... +90 °C

Drag chain compatible

Bending radius	10 x cable diameter (min.)
Bending cycles	2 million
Acceleration (min.)	5 m/s ²
Travel speed (max.)	3.33 m/s
Travel path (horizontal) max.	5 m
Travel path (vertical) max.	2 m
Torsional capacity	180 °/m

Cable

Cable length	10 m
Type code	LiF9YH-11YH or LiF9YC11YFHF
Conductor configuration	Bare copper wire, fine-stranded (42 x 0.1 mm)
Conductor insulation	PP9Y (halogen-free)
Sheath material	Polyurethane (PUR), halogen-free per DIN VDE 0472 Part 815, flame resistant per IEC 332-2, self-extinguishing
Sheathed cable color	black

Connector

Connection type	M12 plug - free end
Pole number	3
Cable connection direction to mating direction	0 °
Connector interface coding (cable/adaptor) 1 1	A-coded
Housing material	Polyurethane (PUR)
Contact material	CuSn
Tightening torque	1 Nm

Commercial data

PU (SPU)	1 pcs
Packaging type	Box
Country of origin	HU
GTIN	4045454942076
Customs tariff number	85444290900

Product Classification

UNSPSC	26121609
eCl@ss 10.0	27-06-03-11
eCl@ss 9.0	27-06-03-11
ETIM 9.0	EC001855
ETIM 10.0	EC001855
ECCN	NO US CLASSIFICATION

Environmental Product Compliance

RoHS Compliance Status	Compliant,With Exemption
RoHS Exemption	6(c)
SCIP notification number (Austria)	13774adc-6953-4c2d-84e8-dd145aa92de5
SCIP notification number (Belgium)	6c3cd9d8-1133-4bfc-82fd-c0a7fca5d4f6
SCIP notification number (Bulgaria)	6dcd226a-90b0-4443-83cc-a6f0fadf2f87
SCIP notification number (Czech Republic)	d996082a-8ec0-4f81-9374-9cb7274dee01
SCIP notification number (Denmark)	f46cdb52-8603-41a0-9764-385fadc4fe07
SCIP notification number (Finland)	aa3665a7-984d-4ec1-bc6f-b96e90abce67
SCIP notification number (France)	e20666b1-a118-4a66-bff3-6e11f95273e7
SCIP notification number (Germany)	8b853661-710b-4b6a-a63a-2814746cea51
SCIP notification number (Hungary)	02315c17-0391-4a41-8e57-d31f7c471196
SCIP notification number (Italy)	a452bab3-1fc1-4125-816e-3a4eaa63d9a9
SCIP notification number (Netherlands)	bff35ae7-5163-47d2-92ff-6103126b94bc
SCIP notification number (Poland)	e2f3d4a9-4641-455e-aa97-109bef45a0f8
SCIP notification number (Romania)	22e990ea-fa7c-4215-b0ba-61d76ad62813
SCIP notification number (Sweden)	39173af5-e175-4ac9-9262-94047f73110d

Approvals / Certificates

General approvals



Approval	Standard	Certificate Name
UL Underwriters Laboratories Inc.	UL 2238	E519602

Downloads

Environmental Product Compliance

Compliance Search

Environmental Product Compliance 756-5311/030-100	↓
---	---

Documentation

System Description

IP67 Cables and Plug- gable Connectors	pdf 157.80 KB	↓
---	------------------	---

Bid Text

756-5311/030-100	19.02.2019	xml 3.21 KB	↓
756-5311/030-100	20.09.2017	doc 25.50 KB	↓

CAD/CAE-Data

CAE data

WSCAD Universe 756-5311/030-100	↓
------------------------------------	---

Subject to changes. Please also observe the further product documentation!

Current addresses can be found at: www.wago.com