

4

3

2

1

THIS DRAWING AND THE SUBJECT MATTER SHOWN THEREON ARE CONFIDENTIAL AND THE PROPERTY OF BEL/STEWART/TRP CONNECTOR AND SHALL NOT BE REPRODUCED, COPIED, OR USED IN ANY MANNER WITHOUT THE WRITTEN CONSENT OF TRP CONNECTOR.

PRODUCT MAY BE PROTECTED BY ONE OR MORE OF THE FOLLOWING US PATENTS:
5736910 5939955 6425781 6428361 6554638 6840817 7123117
7429195 7717749 7808751 6217391 6149050 7924130

REVISIONS

P	LTR	DESCRIPTION	DATE	DWN	APVD
C		LOGO CHANGE	24APR2013	TY	KZ
D		REVISED PER EC-1409016	15SEP2014	TYR	TYN
E		COMPANY LOGO CHANGE EC-1411035	09JAN2015	TYR	TYN

1. MATERIALS

HOUSING: THERMOPLASTIC, BLACK, FLAMMABILITY RATING UL 94V-0
SHIELD: BRASS, 0.20mm THICK
PREPLATED WITH MIN 0.76um SEMI-BRIGHT NICKEL
POST DIPPED WITH 2.54um MIN SAC SOLDER AT GROUND PINS.
CONTACT: PHOSPHOR BRONZE, 0.46mmX0.25mm
WITH 1.27um MIN OVERALL NICKEL UNDERPLATE AND
SELECTIVE 1.27um MIN GOLD PLATING AT MATING INTERFACE
SOLDER TAIL: COPPER CLADDED STEEL, 0.50mm SQUARE
PLATED WITH 2.54um MIN MATTE TIN
LIGHT PIPE: POLYCARBON, TRANSPARENT, RATING UL 94V-0
LED: DIFFUSED EPOXY LENS, 0.50mm SQUARE CARBON STEEL WIREFRAME LEADS
PREPLATED WITH 2.03um MIN SILVER OVER 1.02um MIN NICKEL OVER 1.02um
MIN COPPER UNDERPLATE, POST PLATED WITH 2.54um MIN TIN.
TIP TIN DIPPING

2. MAGNETICS

-APPLICATION: 10/100/1000 BASE-T
-IMPEDANCE: 100 OHMS
-TURNS RATIO (CHIP:CABLE): 1:1 ALL FOUR PAIRS
-OPEN CIRCUIT INDUCTANCE (OCL): 350uH MIN @100kHz, 0.1VRMS,
8mADC BIAS FROM 0°C TO 70°C, ALL FOUR PAIRS
-ALL FOUR PAIRS BI-DIRECTIONAL
-PERFORMANCE @ 25°C:
INSERTION LOSS (IL): 1.1dB MAX FROM 0.5MHz TO 100MHz
RETURN LOSS (RL): 18dB MIN FROM 0.5MHz TO 40MHz
12-20LOG(f/80)dB MIN FROM 40.1MHz TO 100MHz
CROSSTALK ATTENUATION: 35dB MIN FROM 0.5MHz TO 40MHz
33-20LOG(f/50)dB MIN FROM 40.1MHz TO 100MHz
COMMON MODE REJECTION RATIO (CMRR): 30dB MIN FROM 0.5MHz TO 100MHz
-ISOLATION VOLTAGE: 2250 VDC FOR 60 SECONDS DURATION.

3. THE MAGNETICS ARE SYMMETRICAL AND SUPPORT AUTO-MDIX OPERATION.

4. OPERATING TEMPERATURE: 0°C ~ 70°C

5. LEDS ARE DRIVEN WITH CONSTANT CURRENT AT APPROX 20mA.

LED COLOR: DOMINANT WAVELENGTH (λD): GREEN 568 nm TYP. at IF=20mA
FORWARD VOLTAGE (VF): GREEN 2.2V TYP. at IF=20mA
DOMINANT WAVELENGTH (λD): YELLOW 588 nm TYP. at IF=20mA
FORWARD VOLTAGE (VF): YELLOW 2.1V TYP. at IF=20mA
DOMINANT WAVELENGTH (λD): ORANGE 605 nm TYP. at IF=20mA
FORWARD VOLTAGE (VF): ORANGE 2.1V TYP. at IF=20mA

6. RJ45 CAVITY CONFORMS TO FCC RULES AND REGULATION PART 68 SUBPART F.

7. TRP CONNECTOR LOGO, PART NUMBER, DATE CODE, COUNTRY OF ORIGIN AND AGENCY LOGO TO BE MARKED IN APPROPRIATE LOCATION SHOWN.

8. THESE PARTS ARE RECOMMENDED FOR WAVE SOLDERING PROCESS, PREHEAT TEMPERATURE IS 120°C TO 160°C, 120 SECONDS TO 180 SECONDS, PEAK WAVE SOLDERING TEMPERATURE IS 260°C MAX, 10 SECONDS MAX.

SUGGESTED PANEL CUTOUT
VS CUSTOMER BOARD

CONNECTOR ASSEMBLED
TO PANEL AND PCB

GREEN	GREEN/ORANGE	1-1840727-8
GREEN	GREEN/YELLOW	1-1840727-6
GREEN/ORANGE	YELLOW	1-1840727-3
YELLOW	GREEN	1840727-9
GREEN	GREEN	1840727-7
GREEN/YELLOW	GREEN/YELLOW	1840727-6
LEFT LED ⁵	RIGHT LED ⁵	PART NUMBER

THIS DRAWING IS A CONTROLLED DOCUMENT.		DWN	JALU XU	30NOV2006
DIMENSIONS: mm		CHK	KEITH ZHU	30NOV2006
TOLERANCES UNLESS OTHERWISE SPECIFIED:		APVD	TEDDY XIONG	30NOV2006
0 PLC ±		MODEL NAME	MAGJACK	
1 PLC ±0.25		SIZE	A2	
2 PLC ±0.25		CAGE CODE	C-1840727	
3 PLC ±0.25		DRAWING NO	C-1840727	
4 PLC ±		RESTRICTED TO	-	
ANGLES ±		SCALE	2:1	
APPLICATION SPEC		SHEET	1 OF 2	
PRODUCT SPEC	108-2100	REV	E	

DESC
1X1 1G27 GIGABIT
TAB UP W/ LED

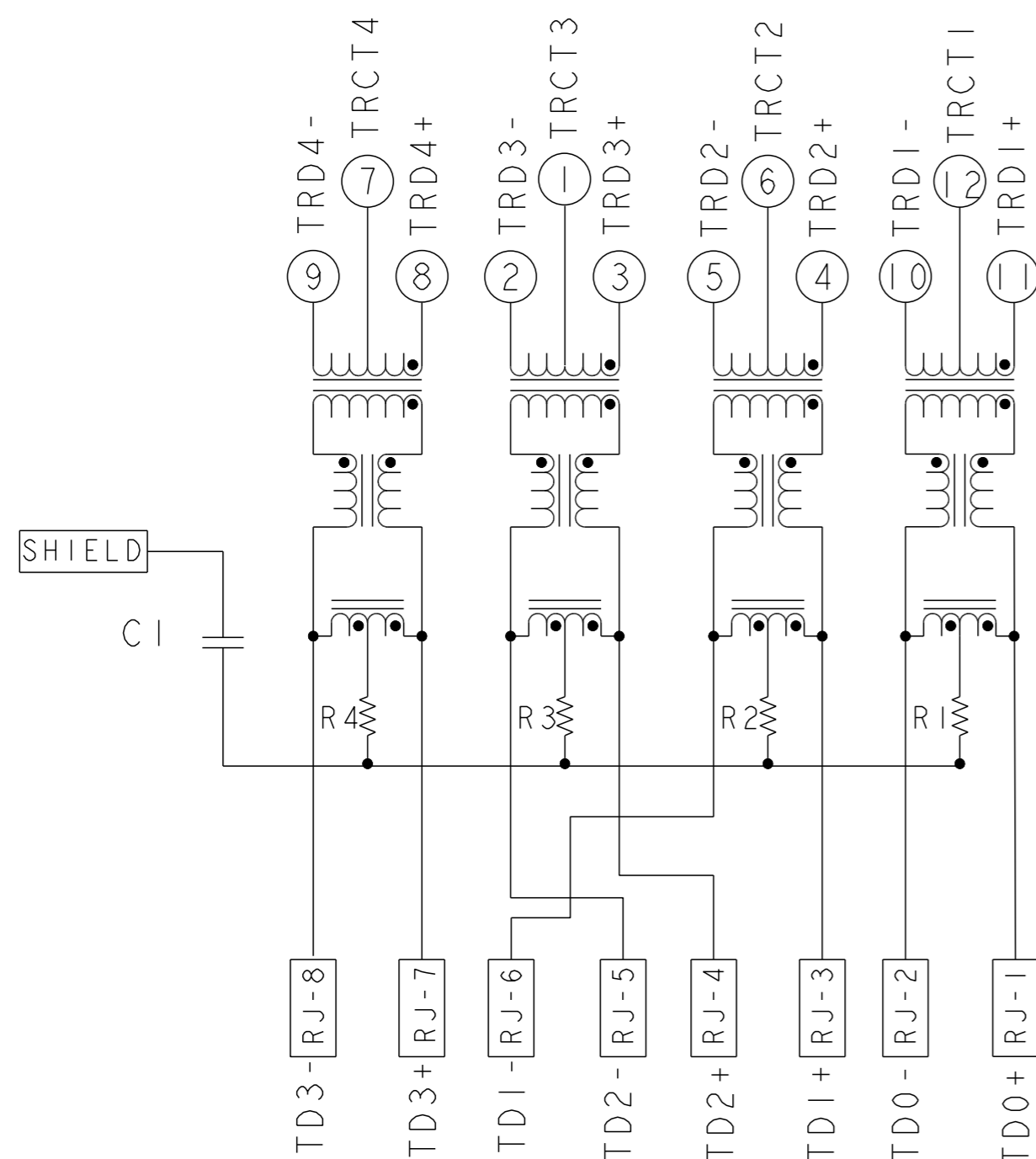
SIZE	CAGE CODE	DRAWING NO	RESTRICTED TO
A2	C-1840727	C-1840727	-
CUSTOMER DRAWING		SCALE	2:1
SHEET		1 OF 2	
REV		E	

xxxx

Downloaded from Arrow.com

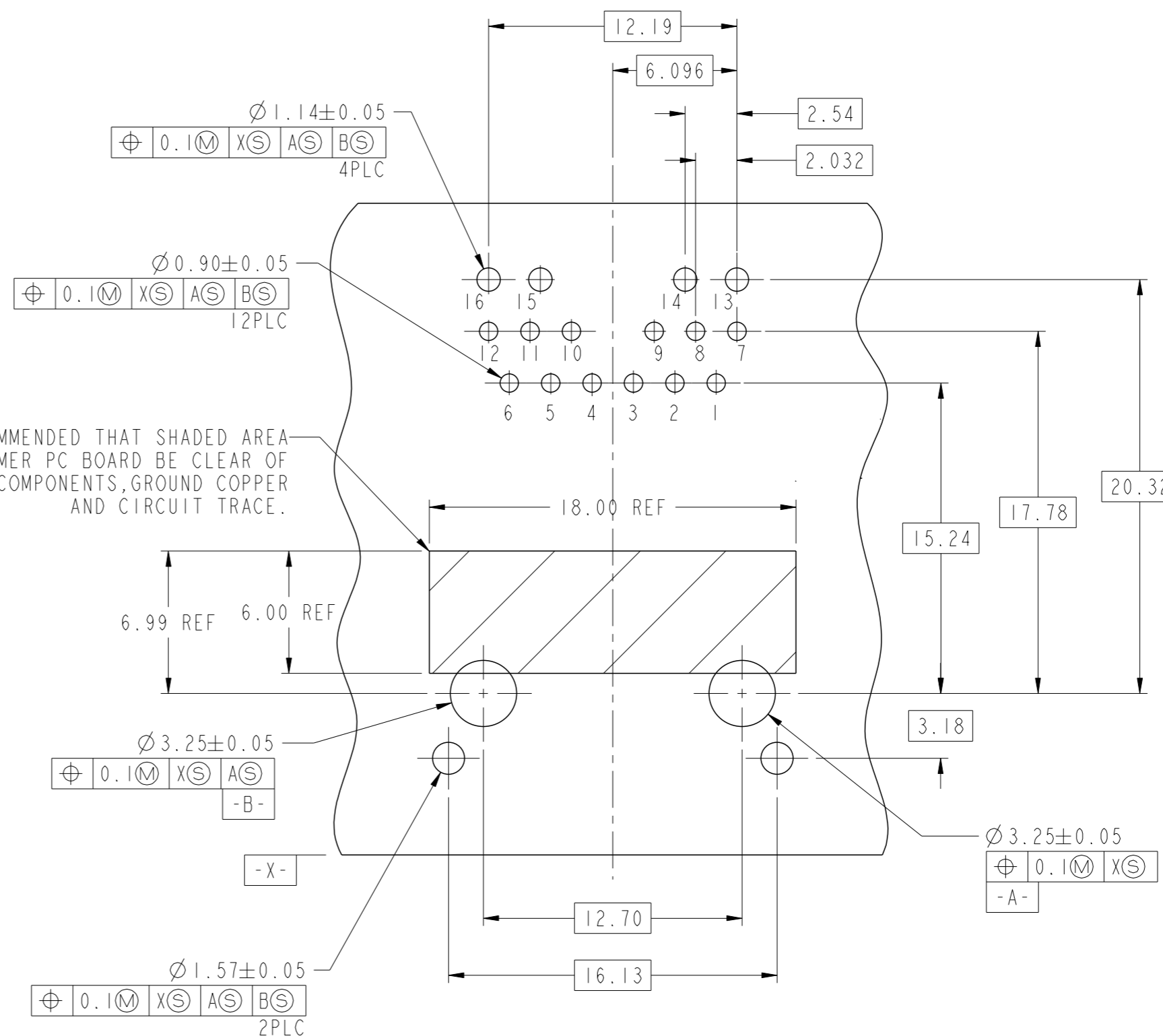
Please read our datasheet & drawing disclaimer here.

IG27 GIGABIT CIRCUIT



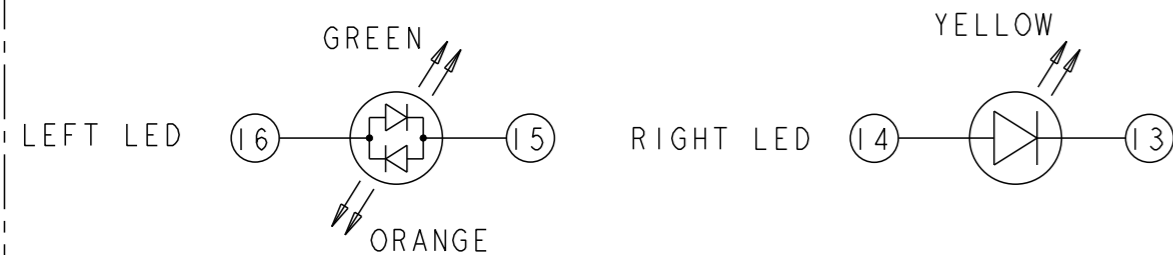
C1= 1000 pF, 2kV, DECOUPLING CAPACITOR
 R1 - R4 = 75 Ohms, 1/16W, 5% RESISTORS

IT IS RECOMMENDED THAT SHADED AREA OF CUSTOMER PC BOARD BE CLEAR OF ANY VIA HOLES, COMPONENTS, GROUND COPPER AND CIRCUIT TRACE.

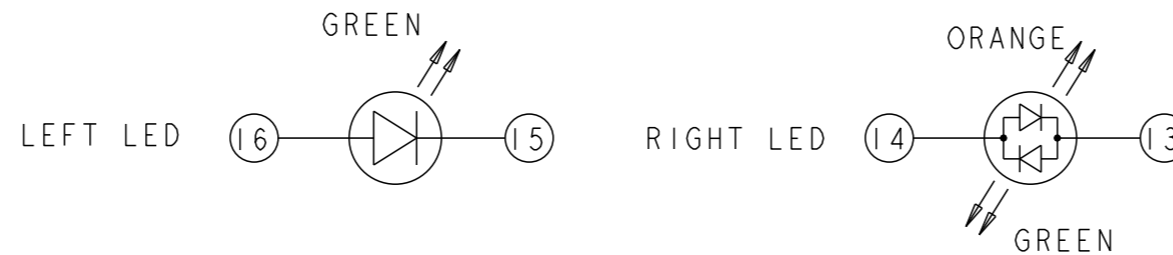


SUGGESTED CUSTOMER PCB COMPONENT SIDE
 SCALE 4:1

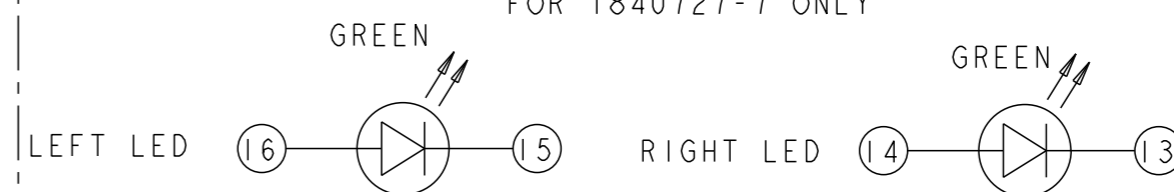
LED CONFIGURATION FOR 1-1840727-3 ONLY



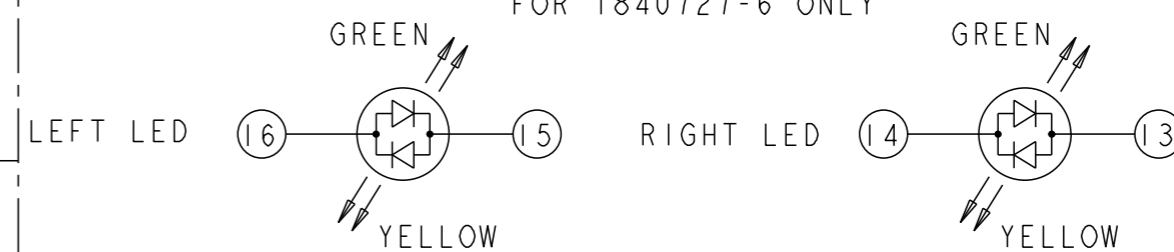
LED CONFIGURATION FOR 1-1840727-8 ONLY



LED CONFIGURATION FOR 1840727-7 ONLY



LED CONFIGURATION FOR 1840727-6 ONLY



LED CONFIGURATION FOR 1-1840727-6 ONLY



LED CONFIGURATION FOR 1840727-9 ONLY



THIS DRAWING IS A CONTROLLED DOCUMENT.		DWN JALU XU 30NOV2006	 trp CONNECTOR a bel group DONGGUAN CHINA
DIMENSIONS: mm		CHK KEITH ZHU 30NOV2006	
TOLERANCES UNLESS OTHERWISE SPECIFIED:		APVD TEDDY XIONG 30NOV2006	
0 PLC ± 1 PLC ±0.25 2 PLC ±0.25 3 PLC ±0.25 4 PLC ± ANGLES ± APPLICATION SPEC		MODEL NAME	
PRODUCT SPEC 108-2100		MAGJACK SINGLE NON-POE	

DESC 1X1 IG27 GIGABIT TAB UP W/ LED		SIZE A2	CAGE CODE	DRAWING NO C-1840727	RESTRICTED TO
CUSTOMER DRAWING		SCALE 2:1	SHEET 2 OF 2	REV E	