

[»Back to Board Level Products](#)

SW25-4G

TO-218, TO-220, TO-220-single gauge (0.020"), TO-247



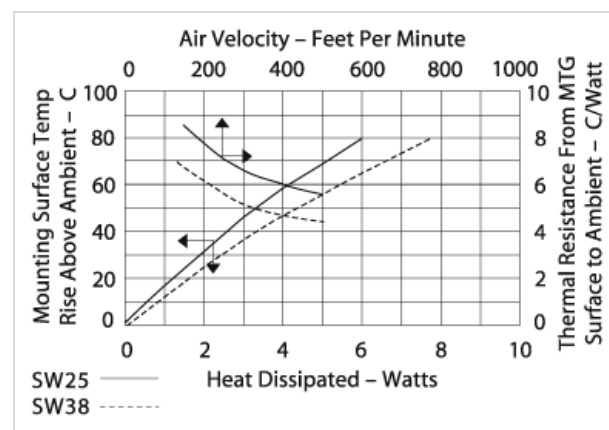
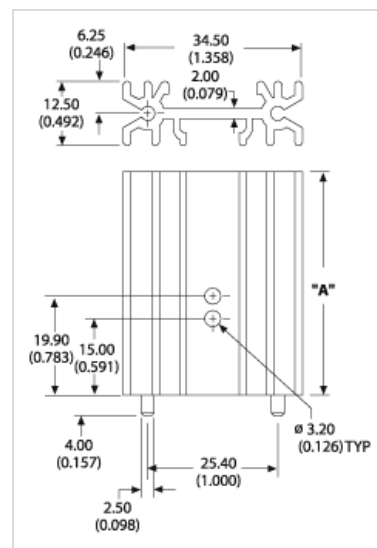
Extruded heat sink with large radial fins and device clips

This non-electronic component is functionally unaffected by the normal soldering or reflow processes used for semiconductor circuits. The heat resistance time or heat resistance temperature is not applicable for the component.

Height: 24.89
Mount Orientation: Vertical
Finish: Black Anodize
RoHS: compliant

Thermal Resistance: 11.40

Additional Drawing Dimensions:
 A: 25



Pins

Need assistance?

Call us: 1-855-32-AAVID
 Email: estore@aavid.com

[» Help Page](#)

Check Distributor Stock

Enter a part number for pricing and availability.

- [»Request a Sample](#)
- [»Request a Quote](#)
- [»Ask an Engineer](#)

The Fine Print

- [Product Return Policy](#)
- [Terms & Conditions](#)
- [Privacy Policy](#)

Customer Assistance

- [Contact Us](#)
- [Get Design Assistance](#)
- [Find a Distributor](#)
- [Find a Sales Rep](#)
- [Request a Quote](#)
- [Placing an Order](#)
- [Terms and Conditions](#)
- [Returns](#)

Popular Products

- [Fans](#)
- [Extrusions](#)
- [Board Level](#)
- [Liquid Cooling](#)
- [Heat Pipe Technology](#)
- [Heat Sink Accessories](#)
- [Interface Materials](#)

Our Company

- [News and Events](#)
- [Management Team](#)
- [Worldwide Locations](#)
- [Directions to Headquarters](#)
- [Disclaimer](#)
- [Customer Survey](#)
- [Privacy Policy](#)

Connect with Aavid

Sign up for Aavid News & Alerts

Like / Follow / Connect



© Copyright 2015 Aavid Thermalloy, LLC.