

[Find by Feature](#)
[Browse by Category](#)
[Share](#)
 [Search →](#)

Enter part number or keyword

[Search Results \(0\)](#)
[Search Options](#)

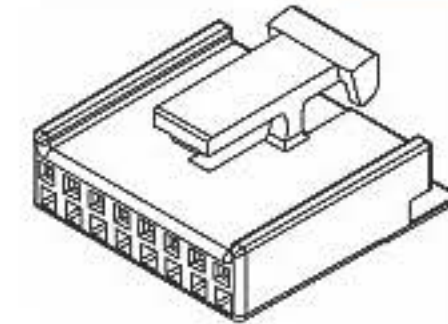
Select a product type to narrow your search:

Results with your selections: --

- Family ▾
- Cavities ▾
- Gender ▾
- Sealed ▾
- Terminal(s) blade size [mm] ▾
- Product Segment ▾
- Application ▾

 [Search →](#)

8 Way Black Micro-Pack 100 Unsealed Female Connector, Max Current 5 amps Part #12052444



Question about this product?

[Attributes](#)
[Documents \(8\)](#)
[Related Products \(14\)](#)

Part #:	12052444
Description:	8 Way Black Micro-Pack 100 Unsealed Female Connector, Max Current 5 amps
Product Type:	Connector
Status:	Active
Family:	Micro-Pack
Series:	1.0
Cavities:	8
Terminal(s) blade size [mm]:	1.0
Sealed:	Unsealed
Gender:	Female
Temperature range [°C]:	-40 to 85
Material:	PBT
Weight [g]:	3.49
Color:	Black
ELV compliant:	Yes
RoHs compliant:	Yes

Certain products listed on this website may be subject to restricted usage or distribution or may not be available. For additional information, please contact your local sales office.