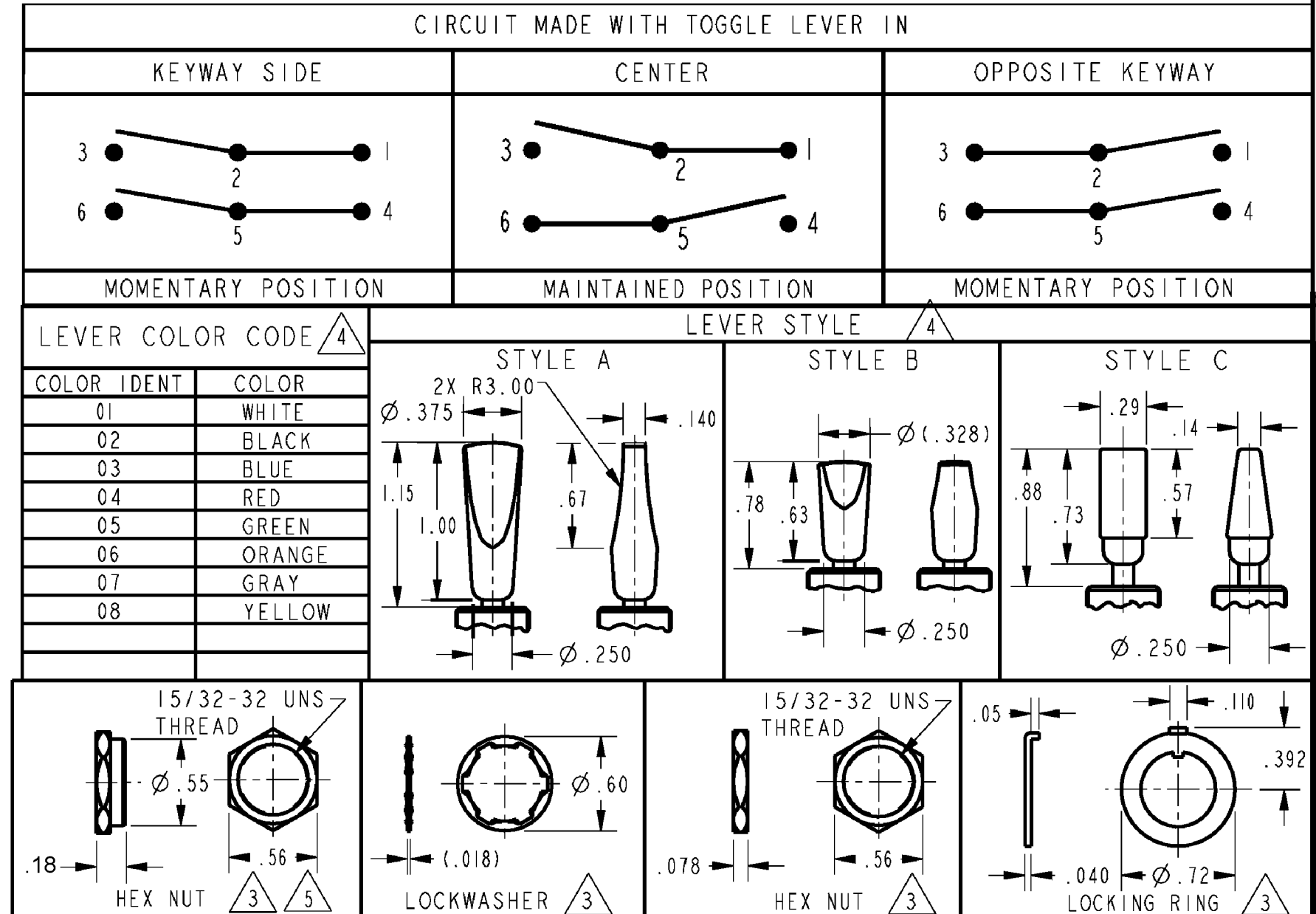
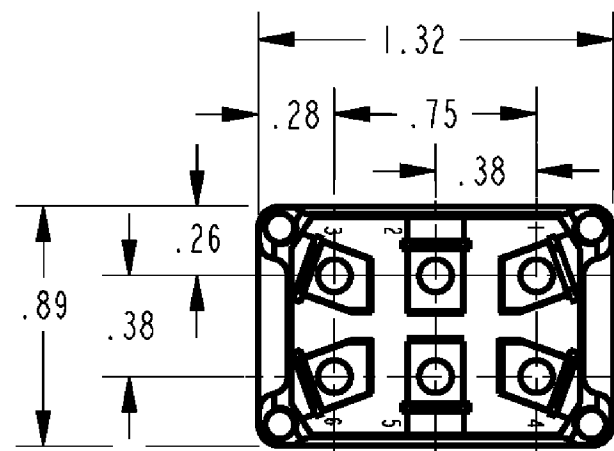
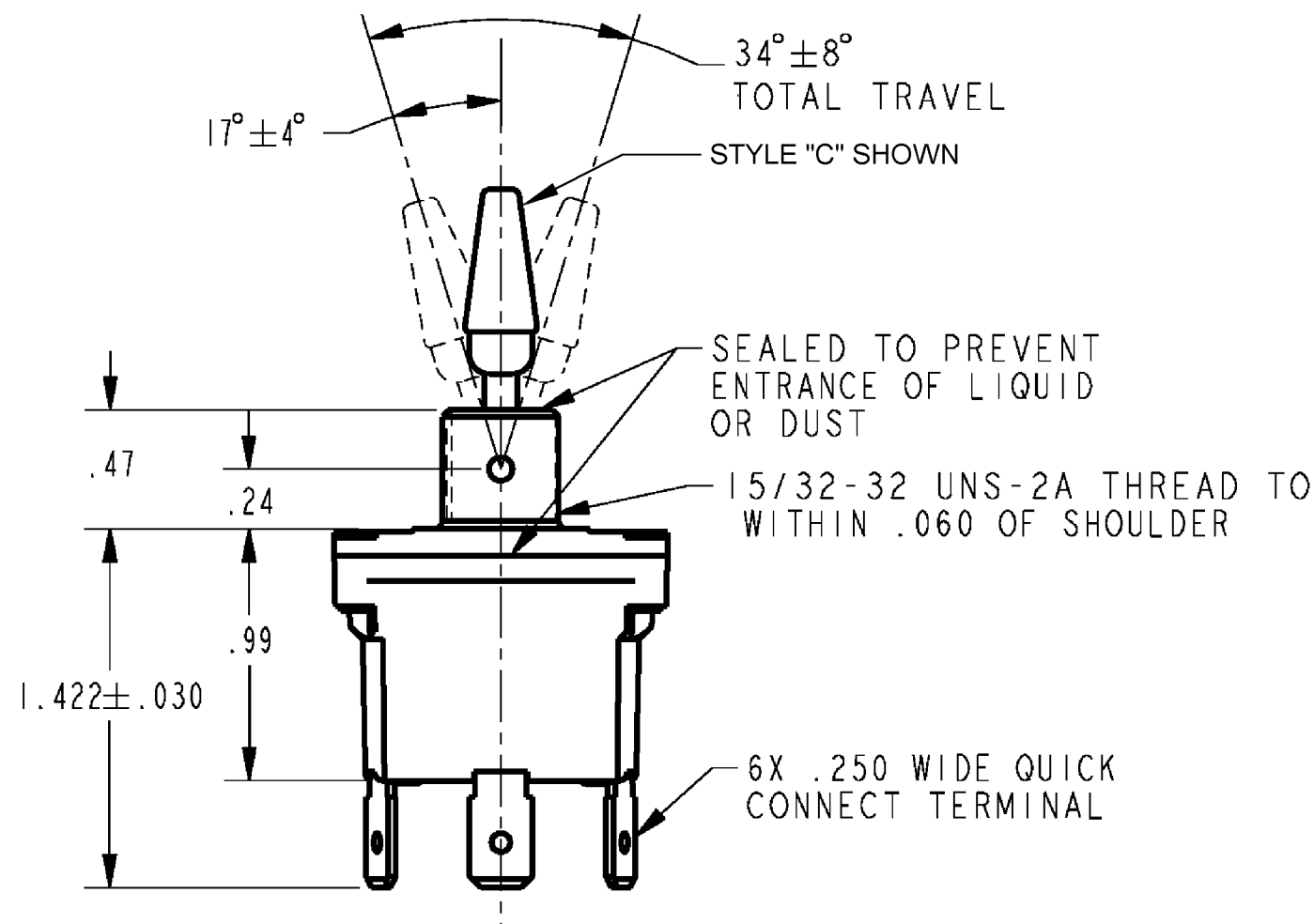
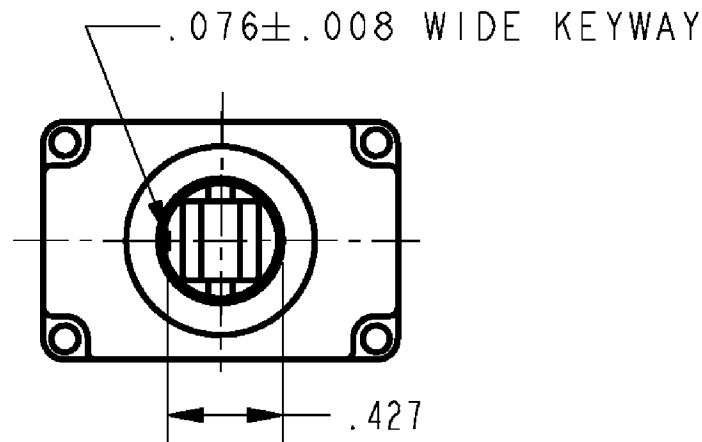


HONEYWELL PART NUMBER
-

REV	DOCUMENT	CHANGED BY	CHECK
B	0100323	RKA 09MAY13	CMH



ELECTRICAL DATA

L192 10A 125, 250, 277 VAC
1/4HP 125 VAC
1/2HP 250, 277 VAC
3A 125 VAC "L"

UL **CE**

- NOTES
- SWITCHES ARE CAPABLE OF WITHSTANDING A TEMPERATURE OF 160° F CONTINUOUSLY AT FULL RATED LOAD
 - MICRO SWITCH CATALOG LISTING MARKED ON SIDE OF SWITCH
 - FURNISHED UNASSEMBLED
 - SUFFIX MUST BE ADDED FOR DESIRED LEVER STYLE AND COLOR (EXAMPLE: 32NT391-70-C08)
 - BLACK FINISH

DESIGN UNITS: INCH TOLERANCES UNLESS NOTED:	DRAWN KRB 10 OCT 07	Honeywell	
NO PLACE .X ± 0.040 ONE PLACE .X ± 0.030 TWO PLACE .XX ± 0.015 THREE PLACE .XXX ± 0.005 FOUR PLACE .XXXX ± 0.0005 ANGLES ± 2	CHECK MJS 10 OCT 07		
THIRD ANGLE PROJECTION	THIS DRAWING COVERS A PROPRIETARY ITEM AND IS THE PROPERTY OF HONEYWELL. THIS DRAWING IS NOT TO BE COPIED OR USED WITHOUT THE PERMISSION OF HONEYWELL.		TITLE SWITCH, TOGGLE
RASTER	INTERPRET PER ASME Y14.5M-1994 OTHER HONEYWELL ENGINEERING STANDARDS MAY APPLY	SIZE C	TYPE I
		DRAWING NAME 32NT391 - 70 SERIES CHART 1	REV B
		SCALE NTS	SHEET 1 OF 1