



## 556 SERIES Standard Panel Mount Indicators

### MECHANICAL / SPECIFICATIONS

MOUNTING HOLE SIZE:  
1.0" (25.4 mm)

MAX PANEL THICKNESS:  
Flat: 0.600" (15.24 mm)  
Dome: 0.187" (4.27 mm)

MOUNTING TORQUE: 40 in-lbs

VOLTAGE OPTIONS:  
12 to 125VDC, and 125, 230VAC  
(no resistor required)

OPERATING TEMP:  
-30 °C to +85 °C (-22 °F to +185 °F)

STORAGE TEMP:  
-40 °C to +100 °C (-40 °F to +212 °F)

ELECTRICAL CONNECTION:  
6-32 screw terminals

HOUSING: Brass – White or Black Nickel Plated

TERMINALS: Brass – Hot solder dip  
per Mil-F-14072D, M258, Type II

LENS MATERIAL:  
Transparent Polycarbonate (UL 94V-0)

LOCK WASHER: Phosphor Bronze –  
White or Black Nickel Plated

NUT: Brass – White or Black Nickel Plated

### CERTIFICATIONS & RATINGS

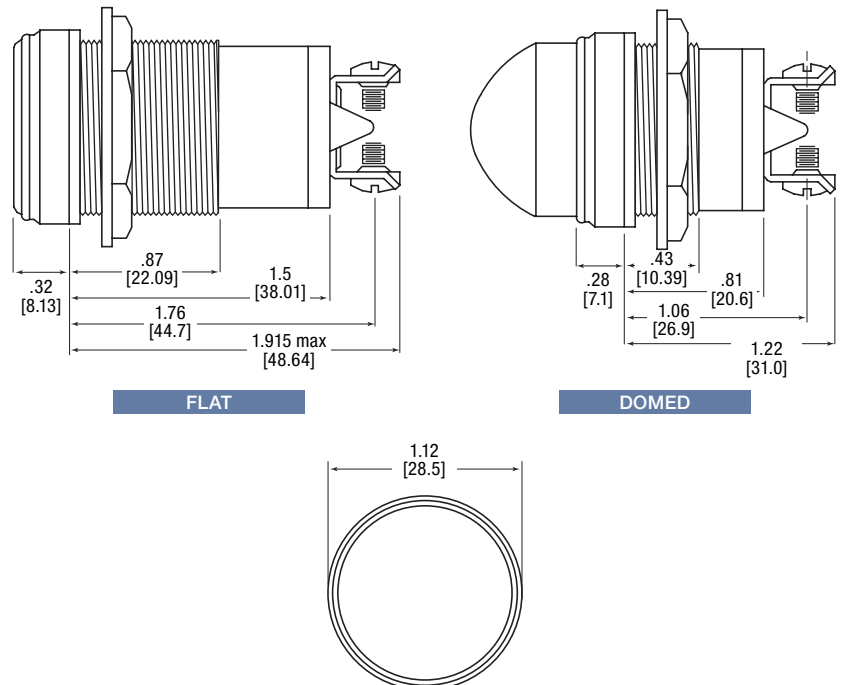
UL 508  
IP66  
NEMA 4X  
RoHS Compliant w/6C exemption  
IK07  
UL 1598 (E156890)

### APPLICATION

The 556 Series LED Panel Mount Indicators incorporate both InGaN and AlInGaP technologies to offer maximum light output. This is a highly durable package, designed to withstand outdoor applications susceptible to rain, dust and sunlight:

- Instrument panels
- Safety applications
- Transportation: rail, bus, airline
- Vending, gaming
- Lane control
- Display lighting

### DIMENSIONS inches [mm]



ORDERING INFORMATION

FLAT LENS

White Nickel	Black Nickel	Color	Voltage (VDC)	Typ Current (mA)	Typical Intensity (mcd)
<a href="#">556-1003-304F</a>	<a href="#">556-1003-204F</a>	○ White	12	60	61,000
<a href="#">556-1503-304F</a>	<a href="#">556-1503-204F</a>	● Red		95	22,000
<a href="#">556-1603-304F</a>	<a href="#">556-1603-204F</a>	● Green		60	41,500
<a href="#">556-1683-304F</a>	<a href="#">556-1683-204F</a>	● Cyan		60	37,000
<a href="#">556-1703-304F</a>	<a href="#">556-1703-204F</a>	● Yellow		95	13,500
<a href="#">556-1803-304F</a>	<a href="#">556-1803-204F</a>	● Blue		60	13,000
<a href="#">556-1903-304F</a>	<a href="#">556-1903-204F</a>	● Orange		95	11,500
<a href="#">556-1004-304F</a>	<a href="#">556-1004-204F</a>	○ White		24	32
<a href="#">556-1504-304F</a>	<a href="#">556-1504-204F</a>	● Red	46		22,000
<a href="#">556-1604-304F</a>	<a href="#">556-1604-204F</a>	● Green	32		41,500
<a href="#">556-1684-304F</a>	<a href="#">556-1684-204F</a>	● Cyan	32		37,000
<a href="#">556-1704-304F</a>	<a href="#">556-1704-204F</a>	● Yellow	46		13,500
<a href="#">556-1804-304F</a>	<a href="#">556-1804-204F</a>	● Blue	32		13,000
<a href="#">556-1904-304F</a>	<a href="#">556-1904-204F</a>	● Orange	46		11,500
<a href="#">556-1508-304F</a>	<a href="#">556-1508-204F</a>	● Red	37.5		20
<a href="#">556-1608-304F</a>	<a href="#">556-1608-204F</a>	● Green		16	54,000
<a href="#">556-1708-304F</a>	<a href="#">556-1708-204F</a>	● Yellow		20	12,750
<a href="#">556-1506-304F</a>	<a href="#">556-1506-204F</a>	● Red	72	18.5	15,000
<a href="#">556-1606-304F</a>	<a href="#">556-1606-204F</a>	● Green		16	45,500
<a href="#">556-1706-304F</a>	<a href="#">556-1706-204F</a>	● Yellow		20	9,000
<a href="#">556-1806-304F</a>	<a href="#">556-1806-204F</a>	● Blue		18.5	15,000
<a href="#">556-1007-304F</a>		○ White	125	10.5	36,000
<a href="#">556-1507-304F</a>		● Red		10	8,000
<a href="#">556-1607-304F</a>		● Green			27,000
<a href="#">556-1707-304F</a>		● Yellow			5,750
<a href="#">556-1005-304F</a>		○ White	125	11	35,000
<a href="#">556-1505-304F</a>		● Red		10.5	8,000
<a href="#">556-1605-304F</a>		● Green		9.5	29,000
<a href="#">556-1685-304F</a>		● Cyan		9.5	24,750
<a href="#">556-1705-304F</a>		● Yellow		10.5	5,750
<a href="#">556-1805-304F</a>		● Blue		9.5	7,750
<a href="#">556-1905-304F</a>		● Orange		10.5	6,000
<a href="#">556-1009-304F</a>		○ White		230	6
<a href="#">556-1509-304F</a>		● Red	7		8,000
<a href="#">556-1609-304F</a>		● Green			29,000
<a href="#">556-1709-304F</a>		● Yellow			5,750
<a href="#">556-1809-304F</a>		● Blue			7,750
<a href="#">556-1909-304F</a>		● Orange			6,000

FLAT LENS, DIFFUSED

White Nickel	Black Nickel	Color	Voltage	Typ Current (mA)	Typical Intensity (mcd)
<a href="#">556-1813-304F</a>		● Blue	12	60	13,000

ORDERING INFORMATION

DOMED LENS

White Nickel	Black Nickel	Color	Voltage (VDC)	Typ Current (mA)	Typical Intensity (mcd)
<a href="#">556-3003-304F</a>	<a href="#">556-3003-204F</a>	○ White	12	60	17,000
<a href="#">556-3503-304F</a>	<a href="#">556-3503-204F</a>	● Red		95	14,000
<a href="#">556-3603-304F</a>	<a href="#">556-3603-204F</a>	● Green		60	14,000
<a href="#">556-3683-304F</a>	<a href="#">556-3683-204F</a>	● Cyan		60	11,500
<a href="#">556-3703-304F</a>	<a href="#">556-3703-204F</a>	● Yellow		95	4,000
<a href="#">556-3803-304F</a>	<a href="#">556-3803-204F</a>	● Blue		60	12,000
<a href="#">556-3903-304F</a>	<a href="#">556-3903-204F</a>	● Orange		95	3,500
<a href="#">556-3004-304F</a>	<a href="#">556-3004-204F</a>	○ White	24	32	17,000
<a href="#">556-3504-304F</a>	<a href="#">556-3504-204F</a>	● Red		46	14,000
<a href="#">556-3604-304F</a>	<a href="#">556-3604-204F</a>	● Green		32	14,000
<a href="#">556-3684-304F</a>	<a href="#">556-3684-204F</a>	● Cyan		32	11,500
<a href="#">556-3704-304F</a>	<a href="#">556-3704-204F</a>	● Yellow		46	4,000
<a href="#">556-3804-304F</a>	<a href="#">556-3804-204F</a>	● Blue		32	12,000
<a href="#">556-3904-304F</a>	<a href="#">556-3904-204F</a>	● Orange		46	3,500
<a href="#">556-3508-304F</a>	<a href="#">556-3508-204F</a>	● Red	37.5	20	4,750
<a href="#">556-3608-304F</a>	<a href="#">556-3608-204F</a>	● Green		16	15,750
<a href="#">556-3708-304F</a>	<a href="#">556-3708-204F</a>	● Yellow		20	3,250
<a href="#">556-3506-304F</a>	<a href="#">556-3506-204F</a>	● Red	72	18.5	4,200
<a href="#">556-3606-304F</a>	<a href="#">556-3606-204F</a>	● Green		16	14,250
<a href="#">556-3706-304F</a>	<a href="#">556-3706-204F</a>	● Yellow		20	2,600
<a href="#">556-3806-304F</a>	<a href="#">556-3806-204F</a>	● Blue		18.5	4,500
<a href="#">556-3007-304F</a>		○ White	125	10.5	10,250
<a href="#">556-3507-304F</a>		● Red			2,500
<a href="#">556-3607-304F</a>		● Green		10	8,250
<a href="#">556-3707-304F</a>		● Yellow			1,500
<a href="#">556-3005-304F</a>		○ White	125	11	10,250
<a href="#">556-3505-304F</a>		● Red		10.5	2,500
<a href="#">556-3605-304F</a>		● Green		9.5	9,500
<a href="#">556-3685-304F</a>		● Cyan		9.5	6,500
<a href="#">556-3705-304F</a>		● Yellow		10.5	1,750
<a href="#">556-3805-304F</a>		● Blue		9.5	3,000
<a href="#">556-3905-304F</a>		● Orange		10.5	1,750
<a href="#">556-3009-304F</a>		○ White	230	6	10,250
<a href="#">556-3509-304F</a>		● Red			2,500
<a href="#">556-3609-304F</a>		● Green			9,500
<a href="#">556-3709-304F</a>		● Yellow		7	1,750
<a href="#">556-3809-304F</a>		● Blue			3,000
<a href="#">556-3909-304F</a>		● Orange			1,750



Dialight reserves the right to make changes at any time in order to supply the best product possible. The most current version of this document will always be available at: [www.dialightsignalsandcomponents.com](http://www.dialightsignalsandcomponents.com)

Warranty Statement: Except for the warranty expressly provided for at: [www.dialight.com/resources/warranties/](http://www.dialight.com/resources/warranties/), Dialight disclaims any and all other warranties, express or implied, including, without limitation, any warranties of merchantability, fitness for a particular purpose, title, and noninfringement.