

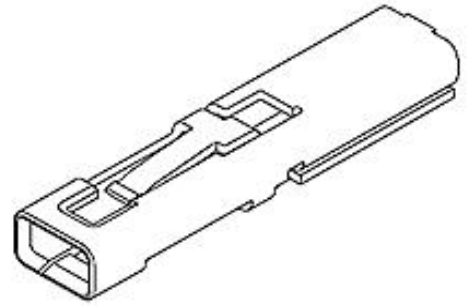
Part Number : [5050720101](#)

Product Description : TermiMate PCB Receptacle Terminal, 1.20mm Mated Height

Series Number : 505072

Status : Obsolete

Product Category : PCB Headers and Receptacles



Documents and Resources

Drawings

[5050720101_sd.pdf](#)

[5050720101_stp.zip](#)


Specifications

[AS-505071-001-001.pdf](#)

[PS-505071-001-001.pdf](#)

Product Environment Compliance

Compliance

GADSL/IMDS	Compliant with Exemption 33; 44; 34
China RoHS	 per SJ/T 11365-2006
EU ELV	Not Relevant
Low-Halogen Status	Low-Halogen per IEC 61249-2-21
REACH SVHC	Not Contained per D(2025)7771-DC (04 Feb 2026)
EU RoHS	Compliant per EU 2015/863

Compliance Statements

- EU RoHS
- REACH SVHC
- Low-Halogen

Industry Documents

- IPC 1752A Class C
- IPC 1752A Class D

- Molex Product Compliance Declaration
- IEC-62474
- chemSHERPA (xml)

Substances of Interest

- PFAS

EU RoHS Certificate of Compliance

Additional Product Compliance Information

Part Details

General

Status	Obsolete
Category	PCB Headers and Receptacles
Series	505072
Description	TermiMate PCB Receptacle Terminal, 1.20mm Mated Height
Application	Board-to-Board
Component Type	PCB Receptacle
Product Name	TermiMate
UPC	887191571027

Electrical

Current - Maximum per Contact	3.0A
Voltage - Maximum	125V AC (RMS)/DC

Physical

Circuits (Loaded)	1
Circuits (maximum)	1
Durability (mating cycles max)	10
First Mate / Last Break	No
Glow-Wire Capable	No
Guide to Mating Part	No
Keying to Mating Part	No
Lock to Mating Part	Yes
Mated Height	1.20mm
Material - Metal	Copper Alloy
Material - Plating Mating	Tin

Net Weight	83.000/mg
Number of Rows	1
Orientation	Right Angle
Packaging Type	Embossed Tape on Reel
PCB Locator	No
PCB Retention	No
Pitch - Mating Interface	N/A
Plating min - Mating	0.406µm
Polarized to Mating Part	Yes
Polarized to PCB	No
Temperature Range - Operating	-55° to +105°C
Termination Interface Style	Surface Mount

Mates With / Use With

Mates with Part(s)

Description	Part Number
TermiMate PCB Plug Terminal, 1.20mm Mated Height	<u>5050710101</u>

Application Tooling

Global

Description	Part Number
Unlatching Tool for TermiMate 505071 Plug Terminal for removal of TermiMate 505072 PCB Receptacle Terminal	<u>638245810</u>

This document was generated on Apr 22, 2026