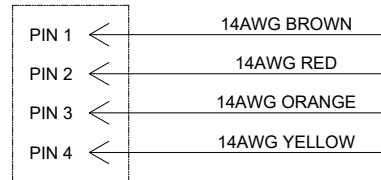
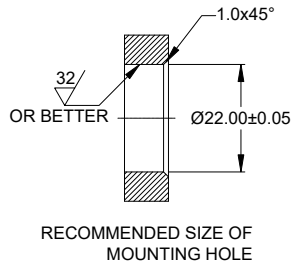
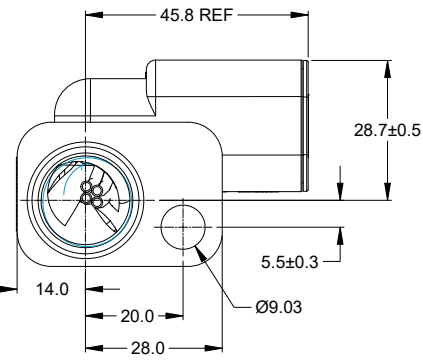
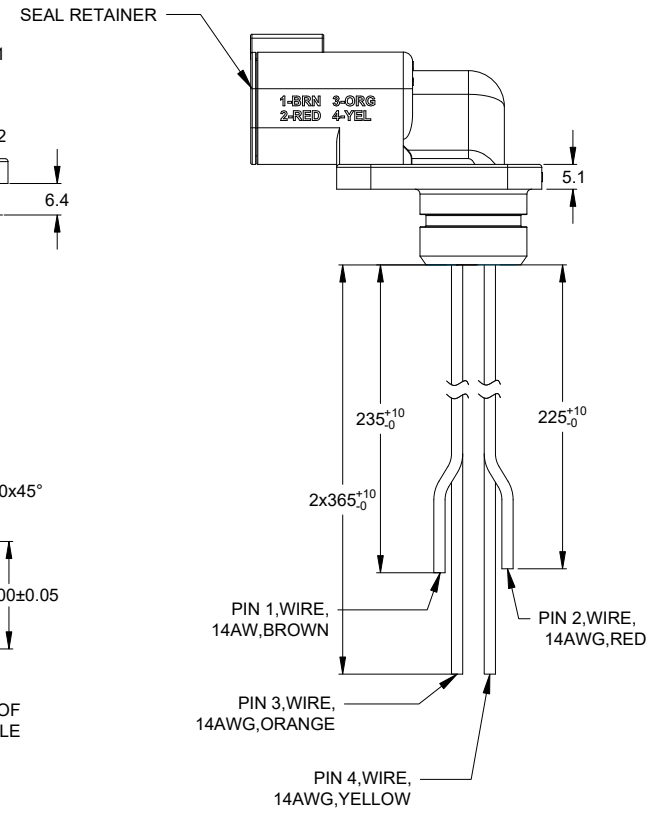
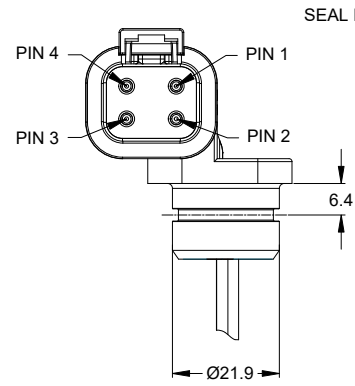
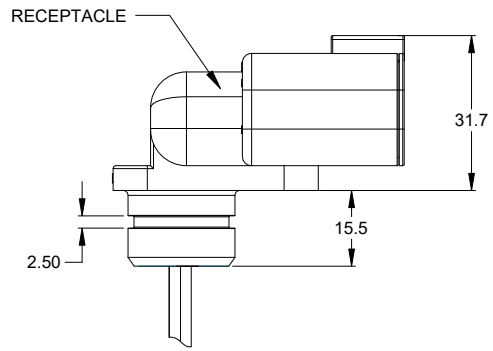
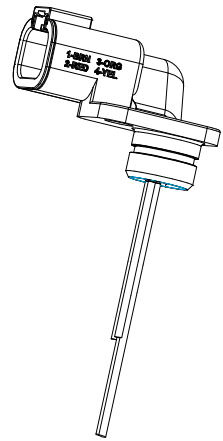


REVISIONS					
REV	ECO	DESCRIPTION	DATE	BY	APPR
A1	-	RELEASE NEW DRAWING	17/JUL/23	VITO	TOMMY
A2	-	REVISED DRAWING DESCRIPTION	5/JUN/24	JHEAD	BRETT



WIRING DIAGRAM

NOTES:
1. MATERIALS:

CONNECTOR:
HOUSING: THERMOPLASTIC PA66; COLOR: GREEN
SEAL: SILICONE RUBBER
CONTACT: COPPER ALLOY

WIRES:
CONDUCTOR: COPPER
JACKET: EXTRUDED TFE (TEFLON) INSULATION.
CONDUCTORS ARE PER MIL-W-16878/4, TYPE E, 14AWG,
19 STRAND SILVER-PLATED COPPER CONDUCTOR,
TEMPERATURE: -60°C TO +200°C, VOLTAGE: 600V RMS.

2. CONNECTOR SPECIFICATIONS:
- 2.1 CURRENT RATING: 25 AMPS
 - 2.2 OPERATING TEMPERATURE: -55°C TO +125°C
 - 2.3 DIELECTRIC WITHSTANDING VOLTAGE: LESS THAN 2 MILLIAMPS CURRENT LEAKAGE @ 1500 VOLTS AC.
 - 2.4 INSULATION RESISTANCE: 1000 MEGOHMS MIN @ 25°C.
 - 2.5 MOISTURE RESISTANCE:
IP68 (IM OF WATER FOR A PERIOD OF 24 HOURS, MATED CONDITION);
IP69K(MATED CONDITION)
 - 2.6 MATING CYCLE DURABILITY: 100 CYCLES

3. MATING CONNECTOR: ATP06-4S* PLUG
(* = MODIFICATIONS AND/OR COLORS)

4. UNTOLERANCED DIMENSIONS ARE FOR REFERENCE USE ONLY.

5. FLANGE MOUNTING SIZE AND HOLE DIAMETER ARE ENLARGED TO ACCOMODATE A STANDARD SPLIT SEAM COMPRESSION LIMITER (CUSTOMER SUPPLIED)
>SPIROL< SIZE: M6. TYPE, LENGTH AND FINISH DEFINED BY CUSTOMER

ATP04-4P-P059		REF:DTP04-4P-P059	
QUANTITY	PART NUMBER	DESCRIPTION	ITEM
MATERIALS LIST			
UNLESS OTHERWISE SPECIFIED		SIGNATURES	DATE
1) All dimensions are in metric(mm).		DRAWN: VITO	17/JUL/23
2) Tolerances are as follows:		CHECKED: ORION	18/JUL/23
1 PL DEC ±0.30 Fractions ±1/64		ENGINEER:	
2 PL DEC ±0.15 Angles ±1°		APPROVAL: TOMMY	19/JUL/23
3 PL DEC ±0.08		CUSTOMER:	
3) Note reference =			
MATERIAL SPECIFICATIONS:		THIS DRAWING IS SUPPLIED FOR INFORMATION ONLY. DESIGN FEATURES, SPECIFICATIONS AND PERFORMANCE DATA SHOWN HEREON ARE THE PROPERTY OF THE AMPHENOL CORPORATION. NO RIGHTS OF REPRODUCTION ARE IMPLIED. ALL DIMENSIONS ARE SUBJECT TO NORMAL MANUFACTURING VARIATIONS.	
WEIGHT: 32.0 g		SIZE	TYPE
PROCESS SPECIFICATIONS:		B	C-
NEXT ASSY:		DWG NO.	REVISION
		ATP04-4P-P059	A2
		SCALE: NONE	SHEET 1 OF 1

Amphenol
Sine Systems - www.amphenol-sine.com
44724 Morley Drive
Clinton Township, MI 48036

4 POS, FLANGE MOUNT RECEPT, 90°, PINS, ATP SERIES, FEED THRU WIRE LEADS, GREEN

TITLE: POS, FLANGE MNT RECEPT, 90° PINS, ATP FEED THRU WIRESS, GRN | DWG NO.: ATP04-4P-P059 | REV: A2 | SH: 1 | OF: 1