

**MICRO SWITCH**  
a Honeywell Division

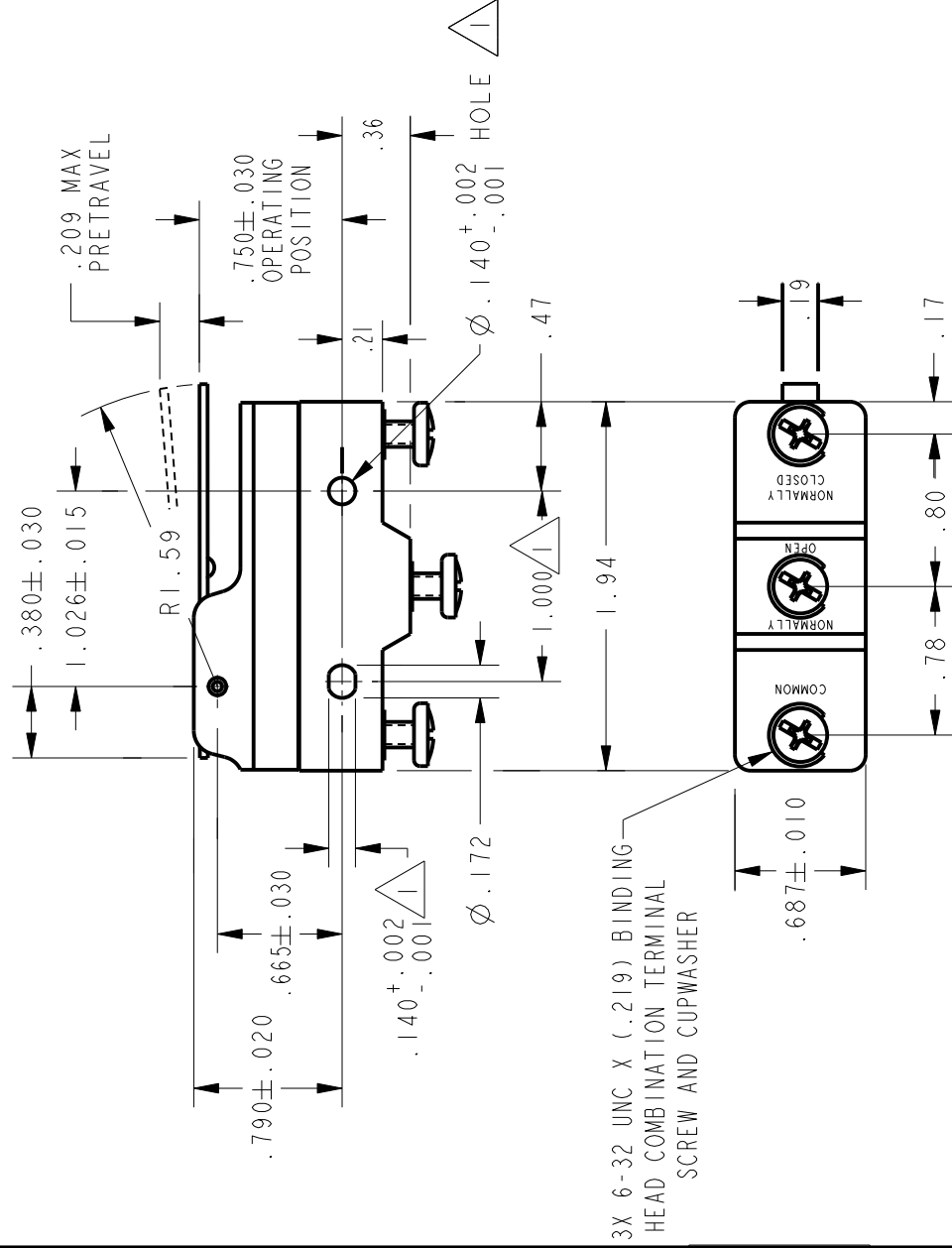
FED. MFG. CODE 91929

**SWITCH - BASIC**

CATALOG LISTING  
**BZ-2RW84462-A2**

**APY0297**

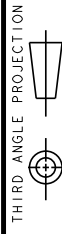
CATALOG LISTING		PAGE 1 OF 1	
<b>BZ-2RW84462-A2</b>		REPLACES X95563-BZ	
ISSUE		RELEASE NO. PR-20181	
9		CHECK	







**NOTES**  
 MOUNTING HOLES WILL ACCEPT PINS OR SCREWS OF .139 MAX DIA ON 1.000±.002 CENTERS

ANSI Y14.5M-1982 APPLIES

THIS DRAWING COVERS A PROPRIETARY ITEM AND IS THE PROPERTY OF MICRO SWITCH, A DIVISION OF HONEYWELL. THIS DRAWING IS NOT TO BE COPIED OR USED WITHOUT THE APPROVAL OF MICRO SWITCH.



THIRD ANGLE PROJECTION

CHARACTERISTICS		ELECTRICAL DATA		SCALE	
OPERATING FORCE-----2 OZ MAX		CONTACT ARRANGEMENT		FULL	SCALE PRINT
RELEASE FORCE-----1/8 OZ MIN		S P D T		UNLESS OTHERWISE SPECIFIED TOLERANCES ARE	
DIFFERENTIAL TRAVEL-----.010 - .025		L96		ONE PLACE (.0)	±.030
		15A 125, 250 OR 480 VAC		TWO PLACE (.00)	±.015
		1/8HP 125 VAC, 1/4HP 250 VAC		THREE PLACE (.000)	±.005
		1/2A 125 VDC, 1/4A 250 VDC		ANGLES	±
		   		WEIGHT	.073 LB

TSM	16MAY00	CHECK	SAV	16MAY00	CHECK	RJ	08DEC05	CHECK
REVISIONS								
A	200382	TSM	16MAY00	08DEC05				
B	0017579	KRB	08DEC05					

PTC/CAD 2D  
DRAWN