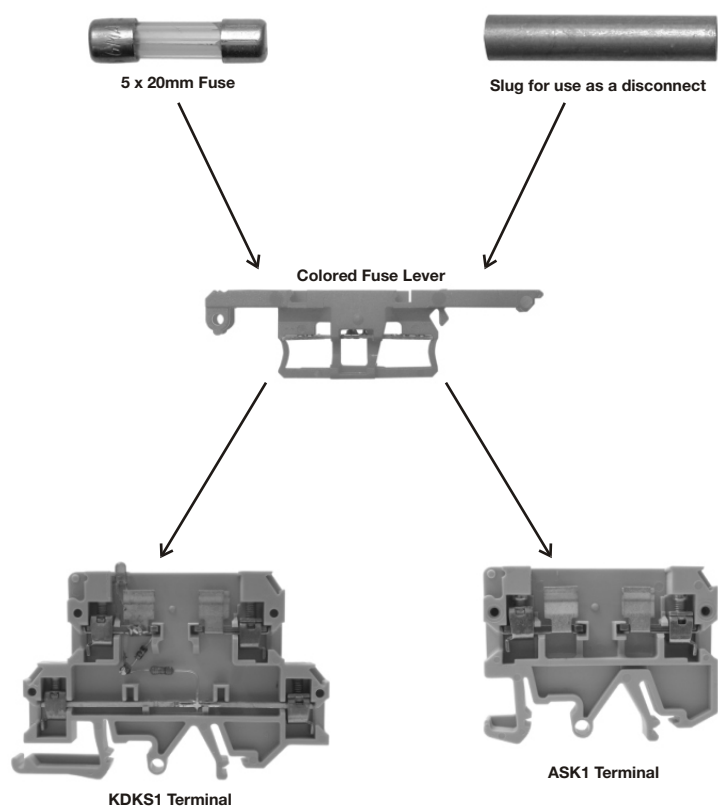


ASK 1 / KDKS 1

25 Years old and still the most innovative and flexible fuse terminal available!



The ASK1, first introduced by Weidmuller in 1975, is the most successful fuse terminal in both the process and industrial markets. Worldwide it is also the most copied fuse terminal!

What some users may not know is that the ASK1 family is also the most flexible fuse terminal available. It can be used as a disconnect, color coded, mounted on 32mm and 35mm DIN rails, is available in UL94 V0 material, and can include connections for a return wire and shield.

One of the unique features of the versions with LED indicator is the high impedance circuit. Located in parallel with the fuse, the LED indicator is energized when the fuse fails. Since this circuit passes a current through the load in the failed state it is desirable to minimize the current level. **The ASK1 indicators have been designed to draw no more than 500 μ A - not mA like other indicator circuits but μ A!** This makes the circuit safe and still provides an excellent visual indication of a blown fuse. If used with PLC or DCS digital input circuits the ASK1 is often the only indicating fuse terminal that will not inadvertently energize the high impedance optocoupler input circuits.

The other member of the ASK1 family is the KDKS1 which provides a feedthrough connection as well as the fuse. This accommodates both the line and neutral (or + and -) wires in a single terminal. Another version includes a connection for a shield that is grounded to the DIN rail via the terminal's mounting foot.

United States

Weidmuller Inc.
821 Southlake Blvd.
Richmond, Virginia 23236
Telephone: (800) 849-9343
Facsimile: (804) 379-2593
Email: info@weidmuller.com
Website: www.weidmuller.com

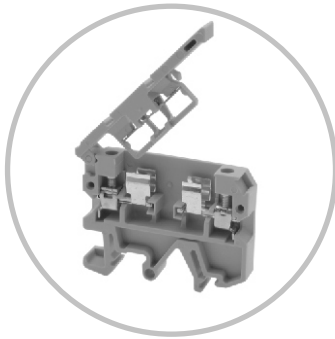
Canada

Weidmuller Ltd.
10 Spy Court
Markham, Ontario L3R 5H6
Telephone: (800) 268-4080
Facsimile: (905) 475-2798
Email: info1@weidmuller.ca
Website: www.weidmullerca.com

Weidmuller, S.A. de C.V

5 Sur No. 4311
Col. Huexotitla
72534 Puebla, Pue. Mexico
Telephone: (22) 37 2549
Facsimile: (22) 43 1981
Email: weidmull@acnet.net

ASK1 and ASK1 LD



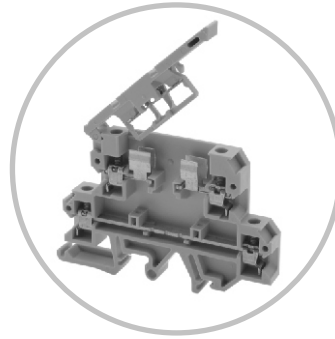
CSA 300V, 10A
8mm wide

Rated data

without indication, UL94-V2:	047456
without indication, UL94-V0:	1750470000
with LED indication, hinge -,	
beige lever, UL94-V2:	24V 022276
	120V 022556
	230V 022576
optional end plate: UL94-V2	038036
UL94-V0	1753320000

Consult factory for other voltage and hinge + versions

KDKS1 and KDKS1 LD



CSA 300V, 10A
8mm wide

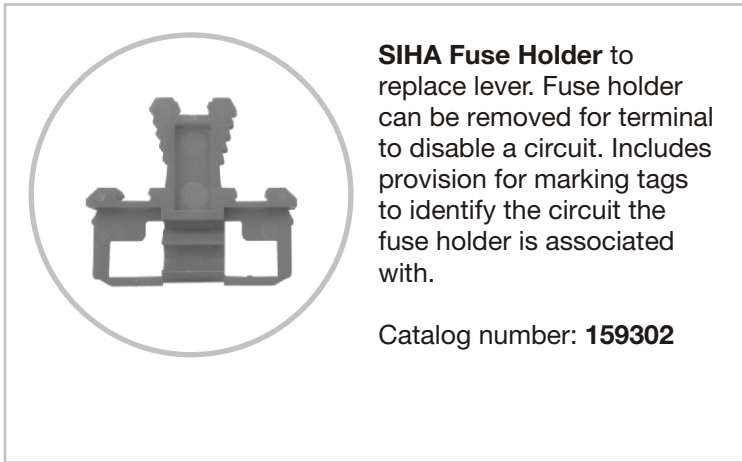
Rated data

without indication:	950335
without indication, UL94-V0:	953244
with LED indication (blown fuse),	
hinge -, beige lever, UL94-V2:	
	24V 980272
	120V 980276
	230V 980278
with LED indication (fuse healthy),	
hinge +, beige lever, UL94-V2:	
	24V 980273
	120V 980277
optional end plate: UL94-V2	950333
UL94-V0	953247

Consult factory for other voltage and hinge + versions.

Fuse healthy indications use 3mA LED circuit.

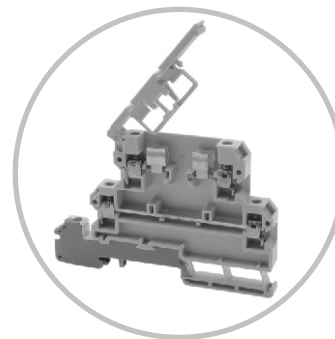
Pull-Out Fuse/ Disconnect Holder



SIHA Fuse Holder to replace lever. Fuse holder can be removed for terminal to disable a circuit. Includes provision for marking tags to identify the circuit the fuse holder is associated with.

Catalog number: **159302**

KDKS1 PE



CSA 300V, 10A
8mm wide

Rated data

without indication, UL94-V2:	952811
without indication, UL94-V0:	953245
with LED indication (blown fuse),	
hinge -, beige lever, UL94-V2:	
	24V 915833
	120V 915835
optional end plate: UL94-V2	950333
UL94-V0	953247

Consult factory for other voltage and hinge + versions

Hinged Fuse/Disconnect Levers

Colored lever	green	yellow	beige	red	blue
no indication	217550	217073	037706	212866	207038
12Vdc hinge +	990981	990982	990990	990983	990984
12Vdc hinge -	990985	990986	990991	990987	990988
24Vdc hinge +	990920	990921	990867	990922	990923
24Vdc hinge -	990916	990917	990866	990918	990919
120Vac/dc	990924	990925	990868	990926	990927
230Vac/dc	990928	990929	991649	990930	990931

All levers include provisions for marking tags.

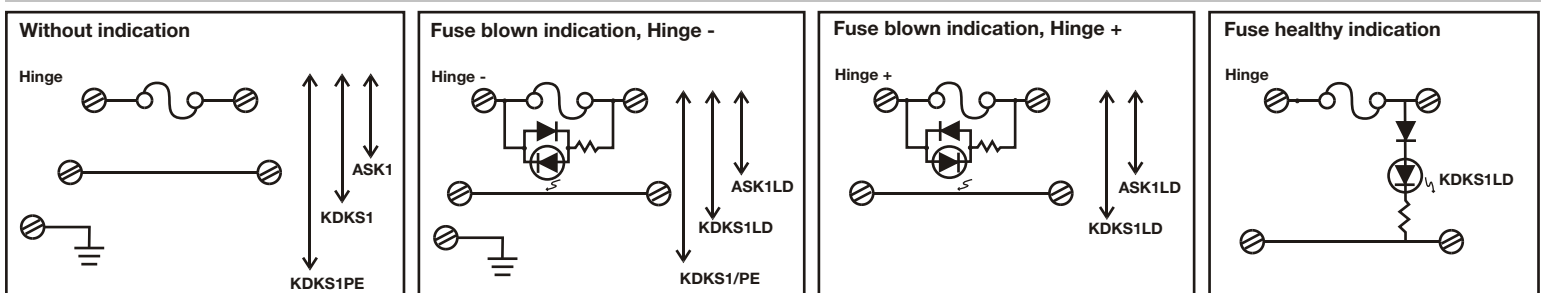
ASK1 Terminal

- Mounts on both 32mm and 35mm DIN Rail
- 8mm wide
- Now available in Wemid material rated UL94-V0

KDKS1 Terminal

- Mounts on both 32mm and 35mm DIN Rail
- 8mm wide
- Includes feedthrough connection for neutral or common wires
- Also available with 3rd connection for ground wire/shield (TS35 mount only)
- Available with fuse healthy indicator (as shown)
- Now available in Wemid material rated UL94-V0

Schematics



Specifications subject to change without notice. 99990209 - 05/02 Printed in Canada