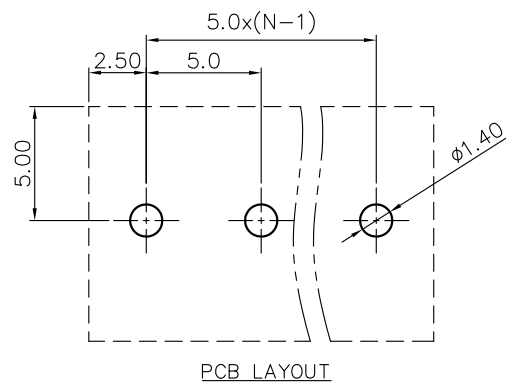
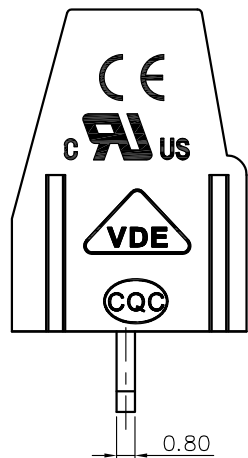
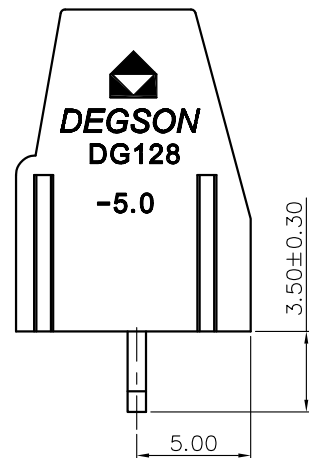
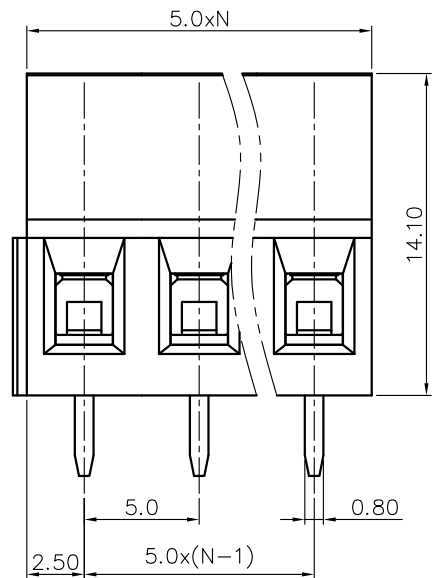
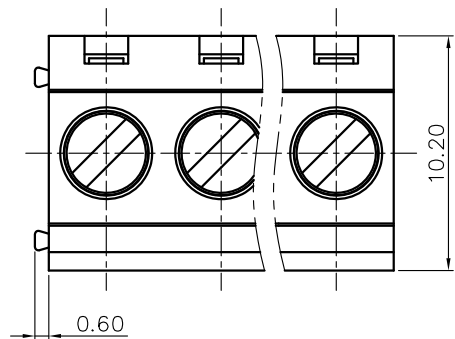


REVISION RECORD				
REV	ECN	DESCRIPTION	DRFT	DATE



NOTES1:

- UL Standard
 1. Rated voltage/current : 300V / 20A
 2. Torque value : M2.5 , 3.54Lb.in
 3. Wire range : 30~12AWG

IEC Standard

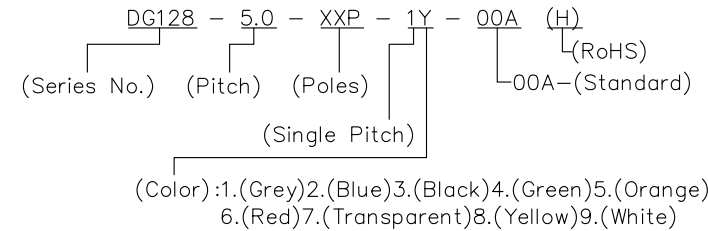
1. Rated voltage/current : 250V / 18A
 2. Torque value : M2.5 , 0.4N·m
 3. Wire range : 2.5mm²

NOTES2:

1. Dimension shall be interpreted per ASME Y14.5-2009
 2. Pitch : 5.0mm, Poles : N=02~XXP
 3. Stripping length : 6~7mm
 4. Withstanding voltage : AC2000V/1Min
 5. Operating temperature: -40°C~+105°C
 6. Undimensioned tolerances:

Pitch range in mm	Nominal dimension range in mm						- / □	
	Over 6 TO 10	Over 10 TO 24	Over 30 TO 60	Over 60 TO 100	Over 100 TO 150	Over 150		
±0.15	±0.20	±0.30	±0.30	±0.50	±0.70	±1.00	±1.30	±2*

7. RoHS Compliance



DETACHED LISTS	PART NO.:	NINGBO DEGSON ELECTRICAL CO., LTD			
	APPD:	NAME: DG128-5.0-XXP-1Y-00A(H)			
	CHKD:	TITLE: CUSTOMER DRAWING			
	DRFT:	DRAWING NO.:		REV	DO
THIRD ANGLE PROJECTION		MM (INCH)	DO NOT SCALE DRAWING	SCALE	1:1