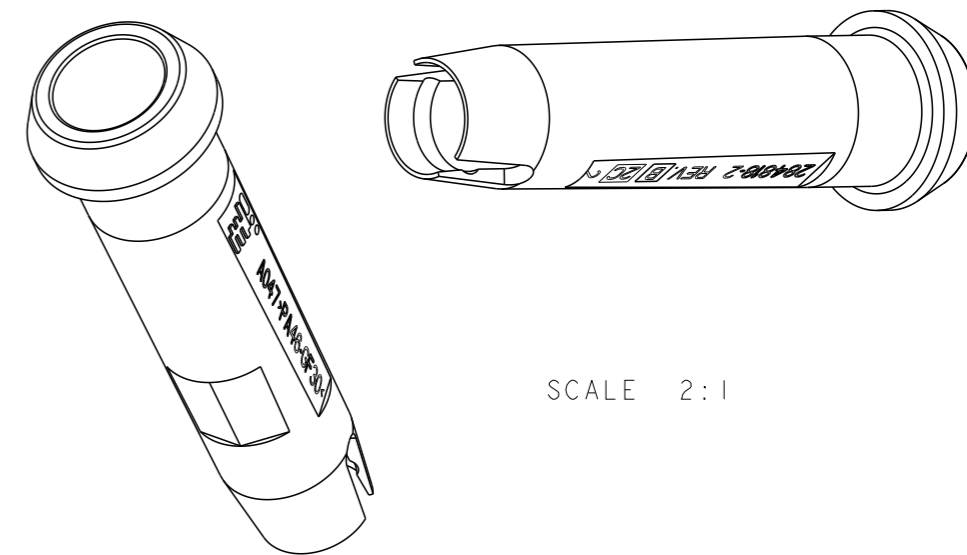
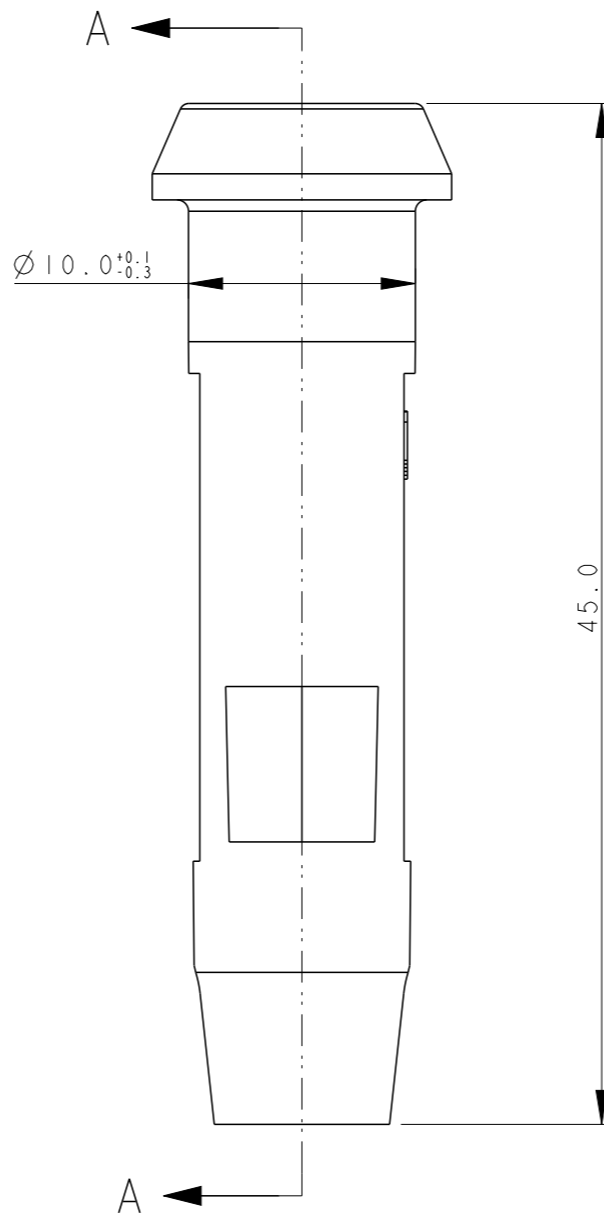
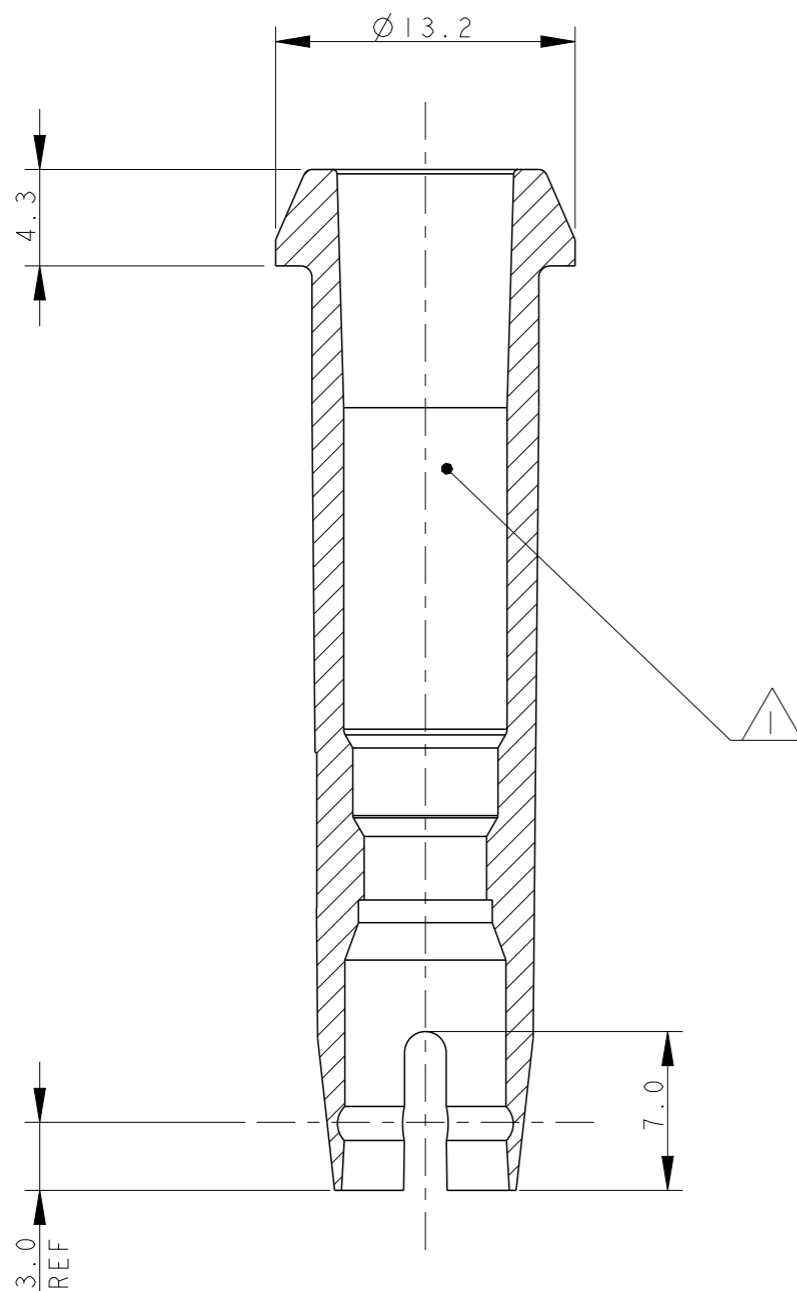


REVISIONS

P	LTR	DESCRIPTION	DATE	DWN	APVD
B1		REVISED PER ECO-15-015744	02NOV2015	M.P.	M.G.
B2		REVISED PER ECO-15-018091	16DEC2015	M.P.	M.G.
B3		REVISED PER ECO-16-002840	29FEB2016	M.P.	M.G.
B4		REVISED PER ECO-16-008847	13JUN2016	M.P.	M.G.

SECTION A - A
(SEZIONE)



SCALE 2:1

1 CAVITY SUITABLE FOR SOCKET CONTACT 4.0 DIA. SYSTEM:
 - P/N 962954-2 AND SINGLE WIRE SEAL P/N 963244-1 FOR 2.5 mm² WIRE
 - P/N 962956-2 AND SINGLE WIRE SEAL P/N 963245-1 FOR 4.0 mm² WIRE

(CAVITA' ADATTA PER CONTATTO FEMMINA 4.0 DIA. SYSTEM:
 - P/N 962954-2 E GOMMINO PASSACAVO P/N 963244-1 PER CAVO 2.5 mm².
 - P/N 962956-2 E GOMMINO PASSACAVO P/N 963245-1 PER CAVO 4.0 mm².)

2 INTERFACE DRAWING ACCORDING TO FIAT SPEC. 91317/42 SHEET 1 PAGE 3

PA 46 - GF 30	RED (ROSSO)	HOUSING (BLOCCHETTO)	284818-2	B
PA 46 - GF 30	BLACK (NERO)	HOUSING (BLOCCHETTO)	284818-1	B
MATERIAL (MATERIALE)	COLOUR (COLORE)	DESCRIPTION (DESCRIZIONE)	PART NUMBER	REV.

P/N 284818-1 AND -2 AS SHOWN
(P/N 284818-1 E -2 COME INDICATO)

THIS DRAWING IS A CONTROLLED DOCUMENT.

DIMENSIONS:	TOLERANCES UNLESS OTHERWISE SPECIFIED:
mm	
0 PLC	±0.3
1 PLC	±0.3
2 PLC	±0.3
3 PLC	±
4 PLC	±
ANGLES	±1°
MATERIAL	FINISH
SEE TABLE (VED. TABELLA)	---

DWN	21MAR2001
P.	ZAMPIROLO
CHK	21MAR2001
R.	MARTINI
APVD	21MAR2001
A.	GENTA
PRODUCT SPEC	108-20229
APPLICATION SPEC	-
WEIGHT	2.15 g



NAME				I W HOUSING FOR DIESEL GLOW PLUG STRAIGHT VERSION (CONNETTORE 1 VIA PER CANDELETTE PRE-RISCALDO)	
SIZE	CAGE CODE	DRAWING NO	RESTRICTED TO		
A3	-	©-284818	-		
Customer Drawing		SCALE	SHEET	OF	REV
		3:1	1	1	B4