

THIS DRAWING IS UNPUBLISHED.

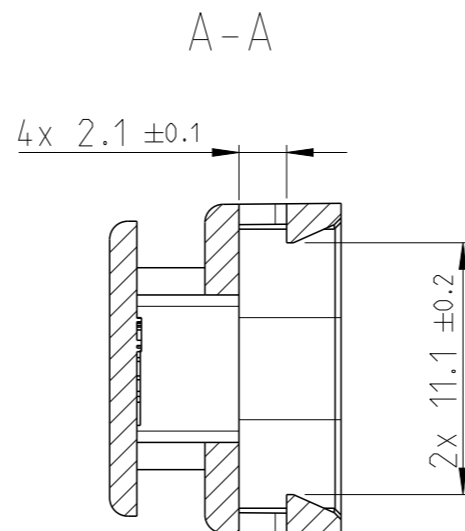
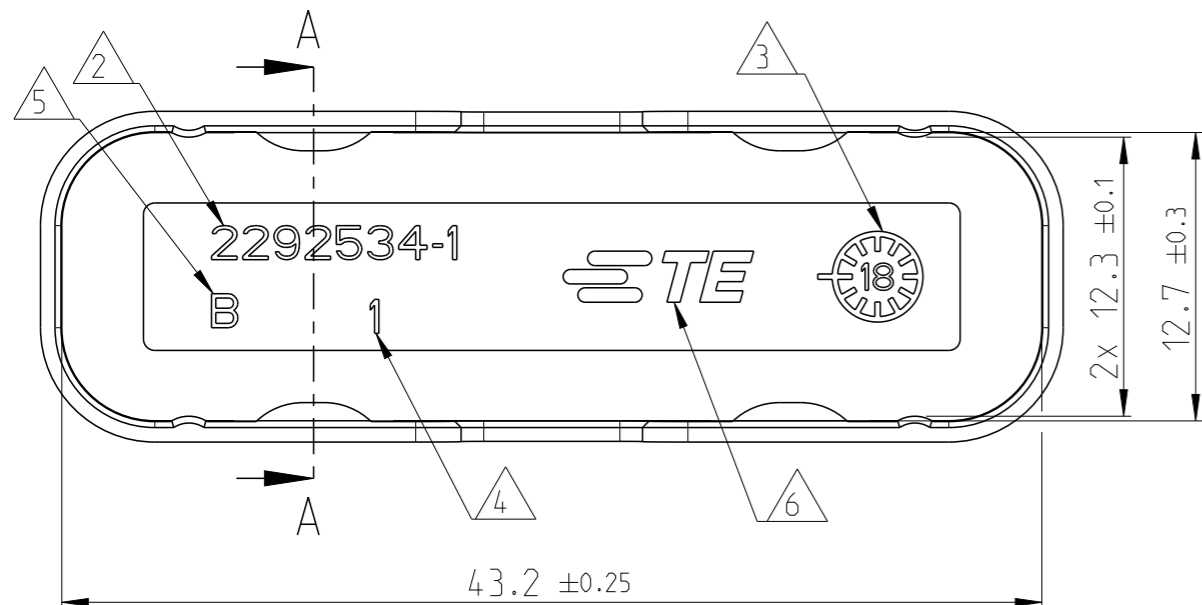
RELEASED FOR PUBLICATION

© COPYRIGHT copyright_date BY -

ALL RIGHTS RESERVED.

REVISIONS

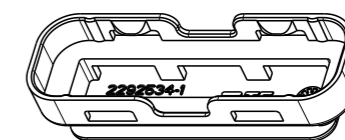
P	LTR	DESCRIPTION	DATE	DWN	APVD
	A	PRODUCTION RELEASE	29MAY2017	AHM	FW I
	B	CRUSH RIBS ADDED	13FEB2018	AKS	FW I
	B1	ADDED 2292534-2	17JUL2023	VR	JP
	B2	UPDATED 2292534-2 COLOR DETAIL	30NOV2023	VR	JP



NOTES

- 1 CHARACTERS AS SHOWN, RAISED 0.15
- 2 TE PART NUMBER
- 3 PRODUCTION DATE WITH DATE INSERT MONTH/YEAR
- 4 CAVITY MARKING
- 5 PART REVISION AS SHOWN,
- 6 TE-TRADEMARK

2292534-1
AS SHOWN
1:1



B2

B2	2292534-2	A	PROTECTION CAP CHARGE INLETS	PA6 GF30	2.16	NATURAL
	2292534-1	B	PROTECTION CAP CHARGE INLETS	PA6 GF10+GB20	2.16	BLACK RAL 9011
	TE-PART-NO.	REV	DESCRIPTION	MATERIAL	WEIGHT [g]	COLOUR

THIS DRAWING IS A CONTROLLED DOCUMENT. DIMENSIONING AND TOLERANCING PER GPS (ISO STANDARDS).		DWN Aravind H.M 21JUN2016				
DIMENSIONS: mm		CHK F. Wittrock 21JUN2016				
TOLERANCES UNLESS OTHERWISE SPECIFIED: DIN 16742 TG5		APVD F. Wittrock 21JUN2016	NAME PROTECTION CAP CHARGE INLETS			
0 PLC ±		PRODUCT SPEC	-			
1 PLC ±		APPLICATION SPEC	-			
2 PLC ±		WEIGHT	-			
3 PLC ±		CUSTOMER DRAWING	SIZE A3	CAGE CODE -	DRAWING NO C-2292534	RESTRICTED TO -
4 PLC ±		SCALE 3:1	SHEET 1 OF 1		REV B2	
ANGLES ±						
FINISH						
MATERIAL SEE TABLE						