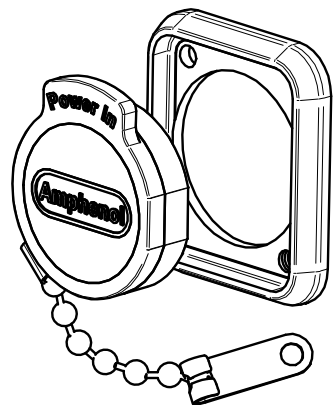
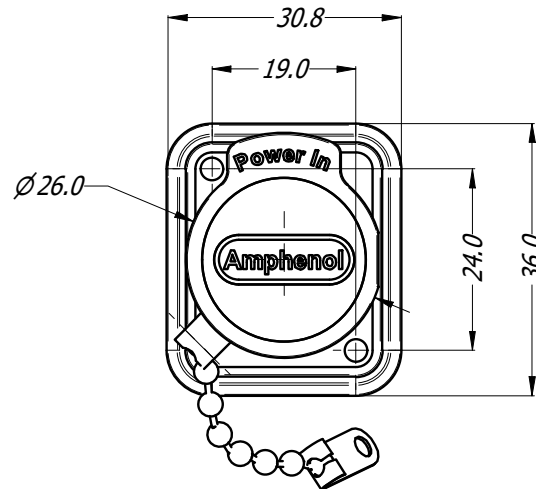
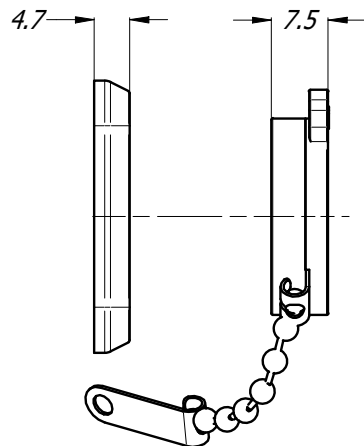
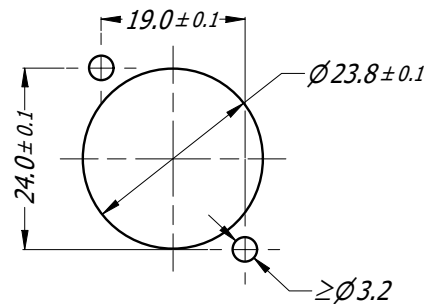




REVISION HISTORY				
REV	DESCRIPTION	BY	DATE	ECN
1	FIRST ISSUE	T.N	19/07/17	9549
2	UPDATE TOLERANCE LIMIT	MH	25-09-25	9773



**3D VIEW**  
1:1



**PANEL CUTOUT**

**NOTES:**  
 - USE #4 OR M3 SCREW.  
 - TIGHTEN TO 0.35 N-m (3.1 lb-in)

UNLESS OTHERWISE SPECIFIED TOLERANCE TO BE		THIS DOCUMENT IS THE PROPERTY OF AMPHENOL AUSTRALIA PTY. LTD. NO PART THEREOF MAY BE REPRODUCED AND USED WITHOUT THE PRIOR WRITTEN CONSENT OF THE OWNER				<b>Amphenol</b> Amphenol Australia Pty.Ltd, 22 Industry Blvd Carrum Downs, VIC 3201	
LINEAR	ANGULAR	MATERIAL:	DRN: T.N	DATE: 26/07/19	TITLE: <b>PROTECTIVE CAP HPT SERIES MALE P/M BEADED CHAIN</b>		PART No: <b>HPT-CAPM</b>
X ±0.5	X° ±1		CKD: MH	DATE: 25-09-25	DRAWING No. <b>55011249-000-4</b>		SHEET <b>3/4</b>
X.X ±0.2	X.X° ±30'	BREAK ALL SHARP EDGES AND REMOVE ALL BURRS	APP'D: PM	DATE: 25-09-25			
X.XX ±0.1	X.XX" ±15'	DO NOT SCALE	FINISH:	SCALE: <b>1:1</b>	SIZE: <b>A4</b>		
DIMENSIONS IN MILLIMETRES		THIRD ANGLE PROJECTION					