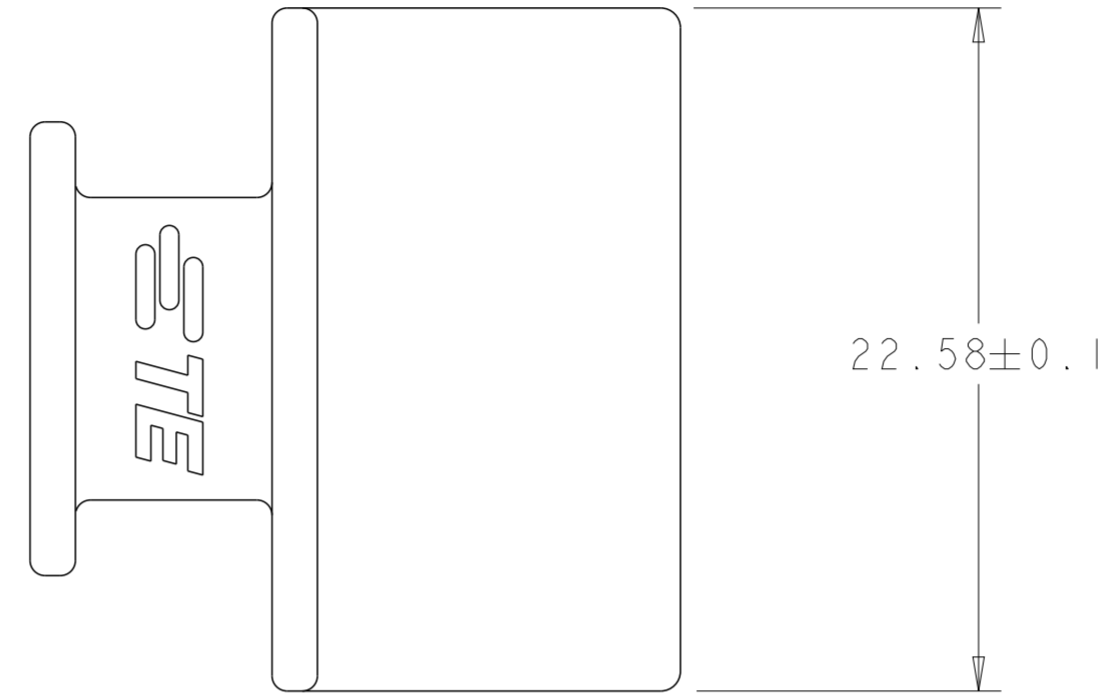
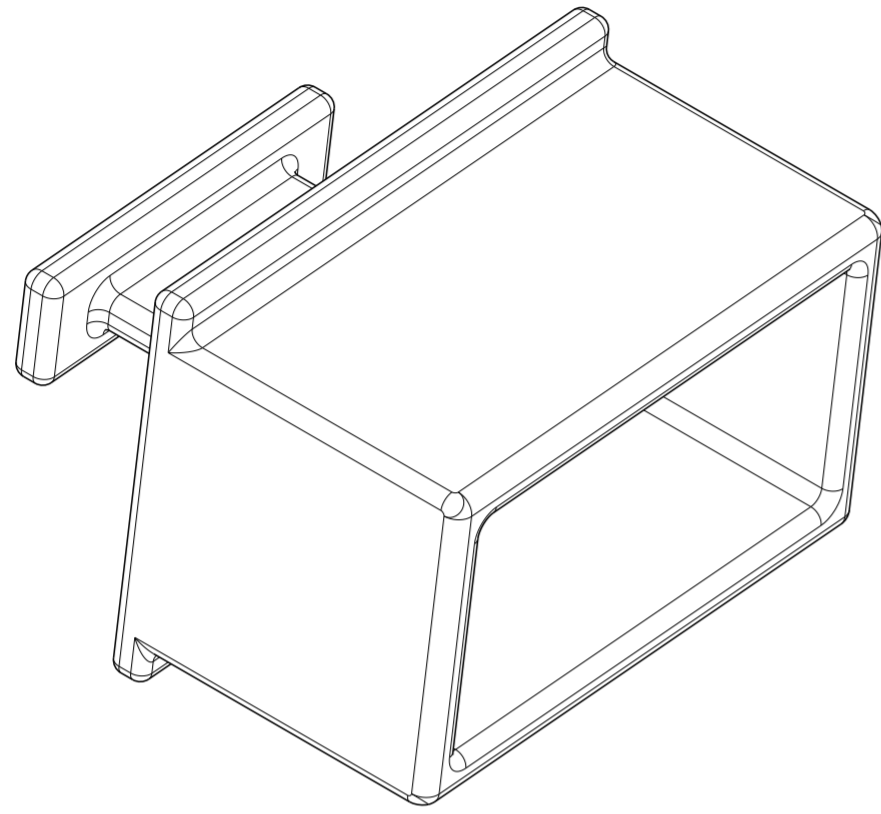
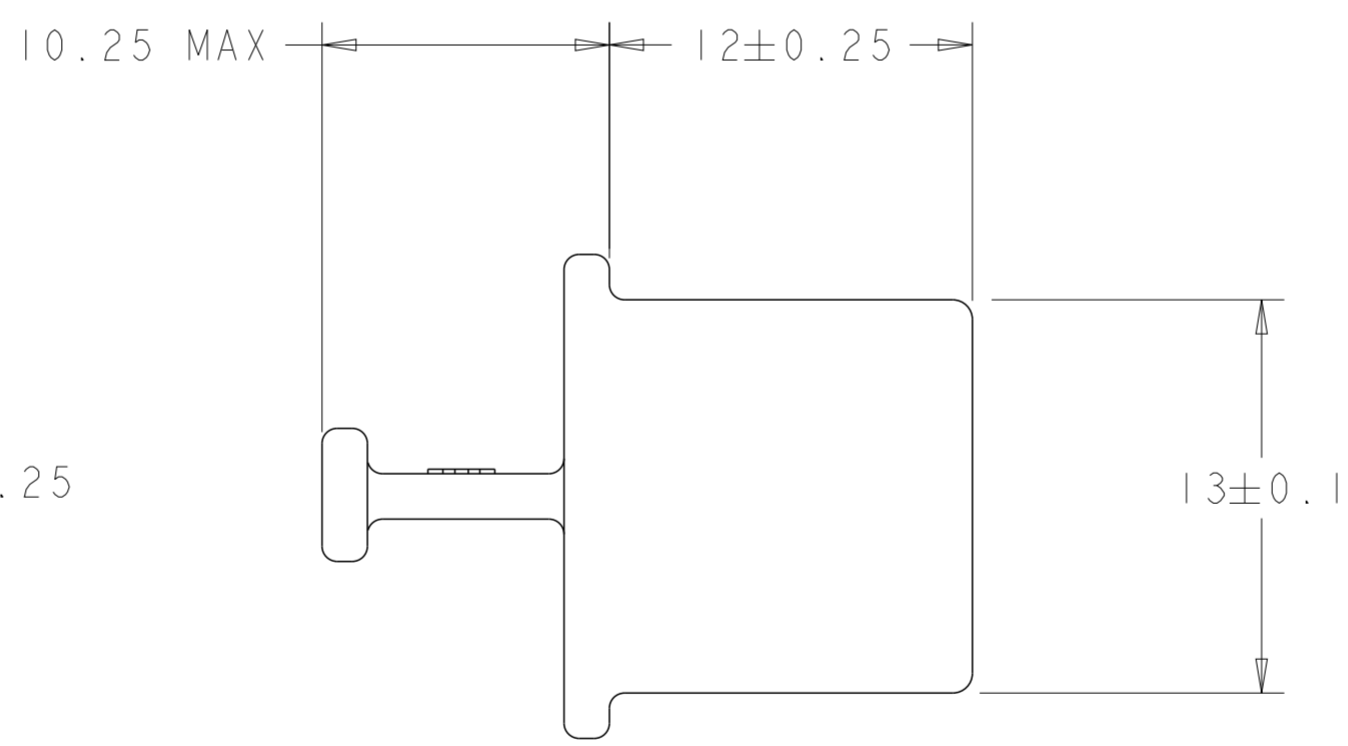
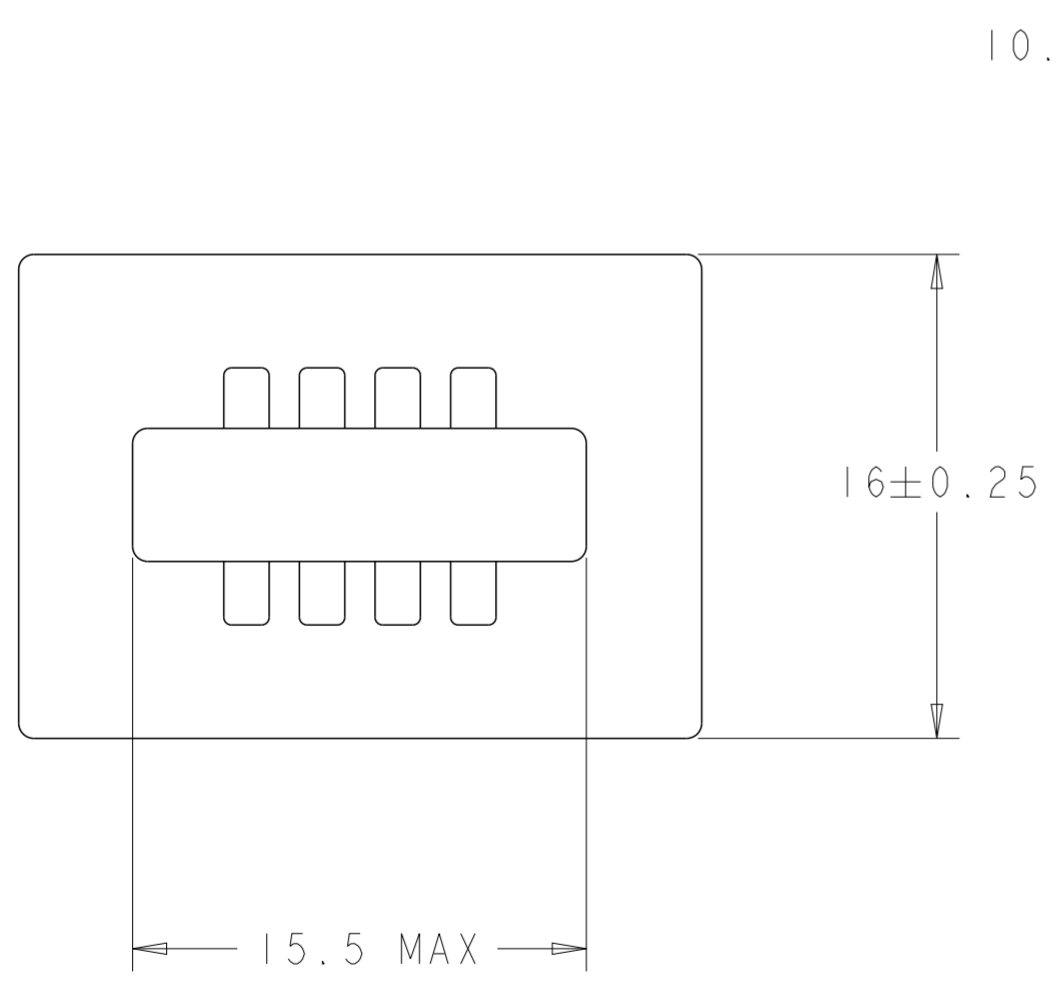
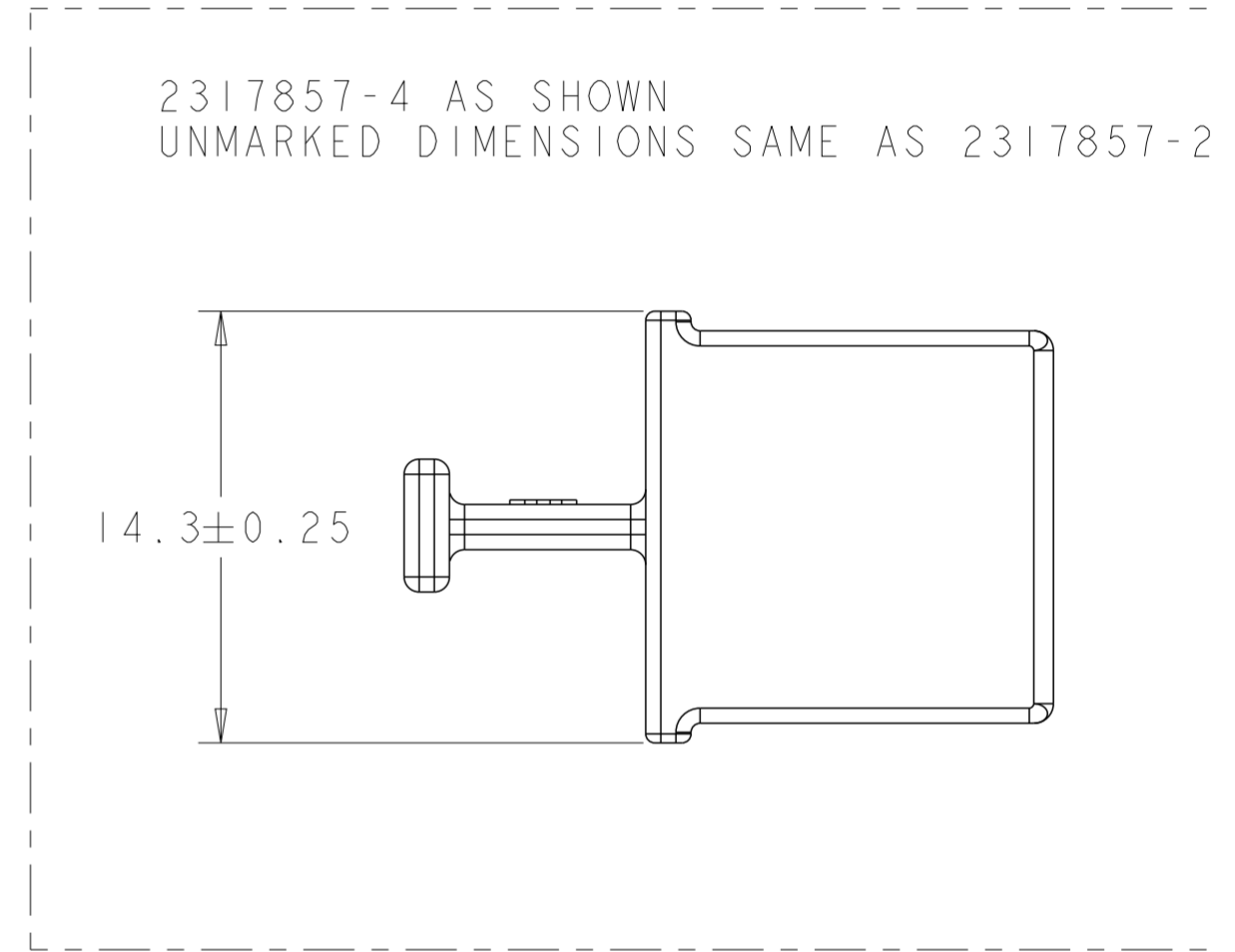


THIS DRAWING IS UNPUBLISHED. RELEASED FOR PUBLICATION 2017  
 © COPYRIGHT 2017 BY - ALL RIGHTS RESERVED.

REVISIONS				
P	LTR	DESCRIPTION	DATE	APVD
A		RELEASED PER ECO-18-006968	29MAY2018	CJV EDB
AI		ADD NEW DASH NO. -4	24OCT2023	RZ SZ



1 MATERIAL: ZINC ALLOY.  
 2 FINISH: 1.27µm MIN. NICKEL OVER 5.08µm MIN COPPER.



FOR OSFP 2X	2317857-4
FOR OSFP 1X	2317857-2
REMARK	PART NUMBER

THIS DRAWING IS A CONTROLLED DOCUMENT.		DWN E BRIANT 20MAR2017	TE Connectivity	
DIMENSIONS: mm		CHK E BRIANT 20MAR2017		
TOLERANCES UNLESS OTHERWISE SPECIFIED:		APVD E BRIANT 20MAR2017	NAME EMI AND DUST COVER, OSFP	
0 PLC ±-	1 PLC ±0.5	PRODUCT SPEC	-	
2 PLC ±0.13	3 PLC ±0.013	APPLICATION SPEC	-	
4 PLC ±0.0001	ANGLES ±	WEIGHT	-	
FINISH		CUSTOMER DRAWING	SCALE 3:1	SHEET 1 OF 1