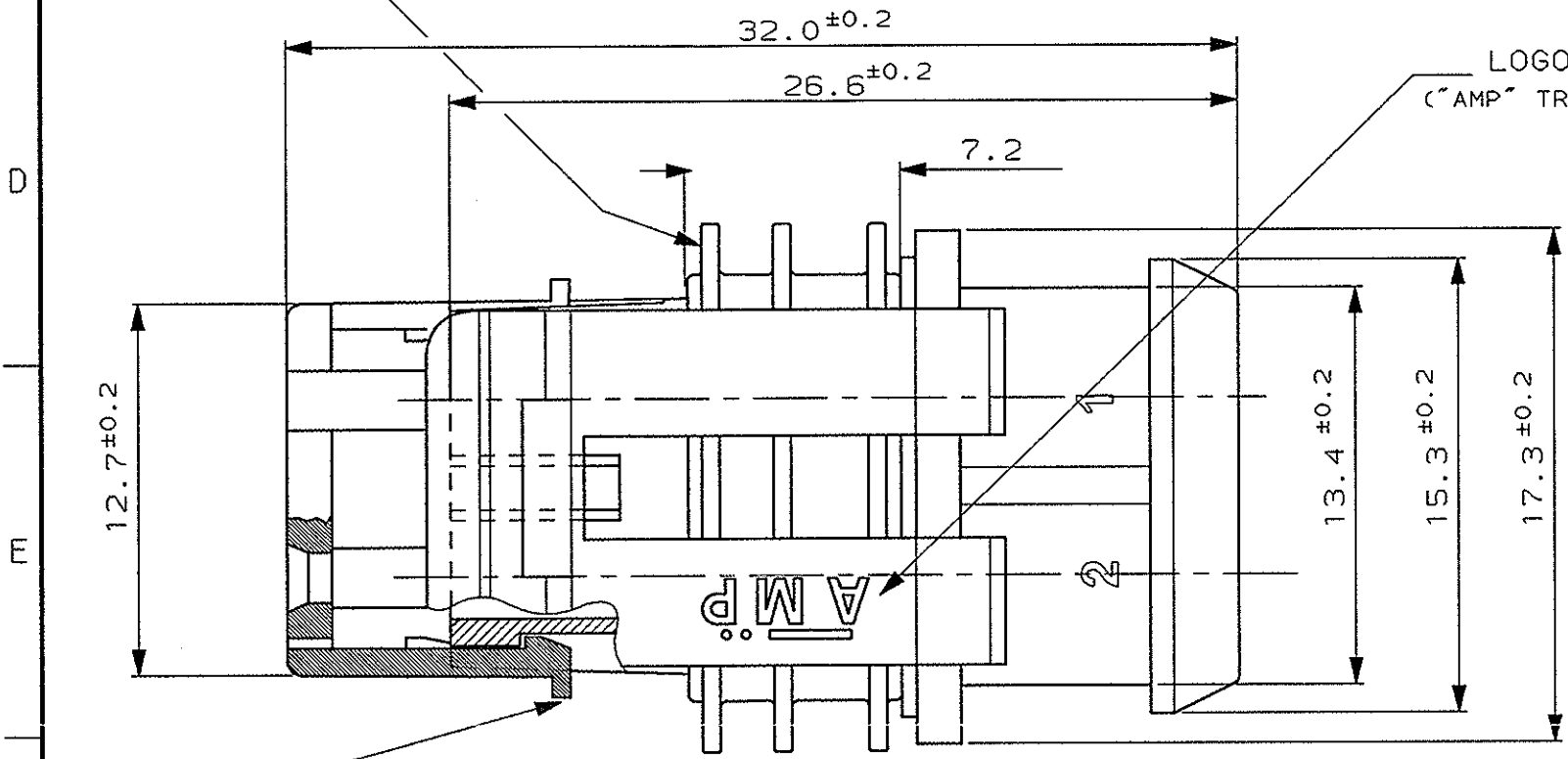
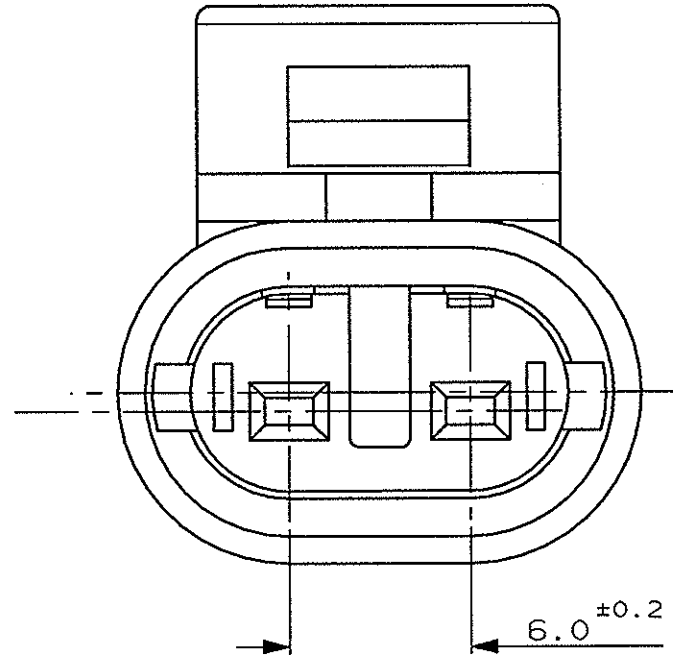
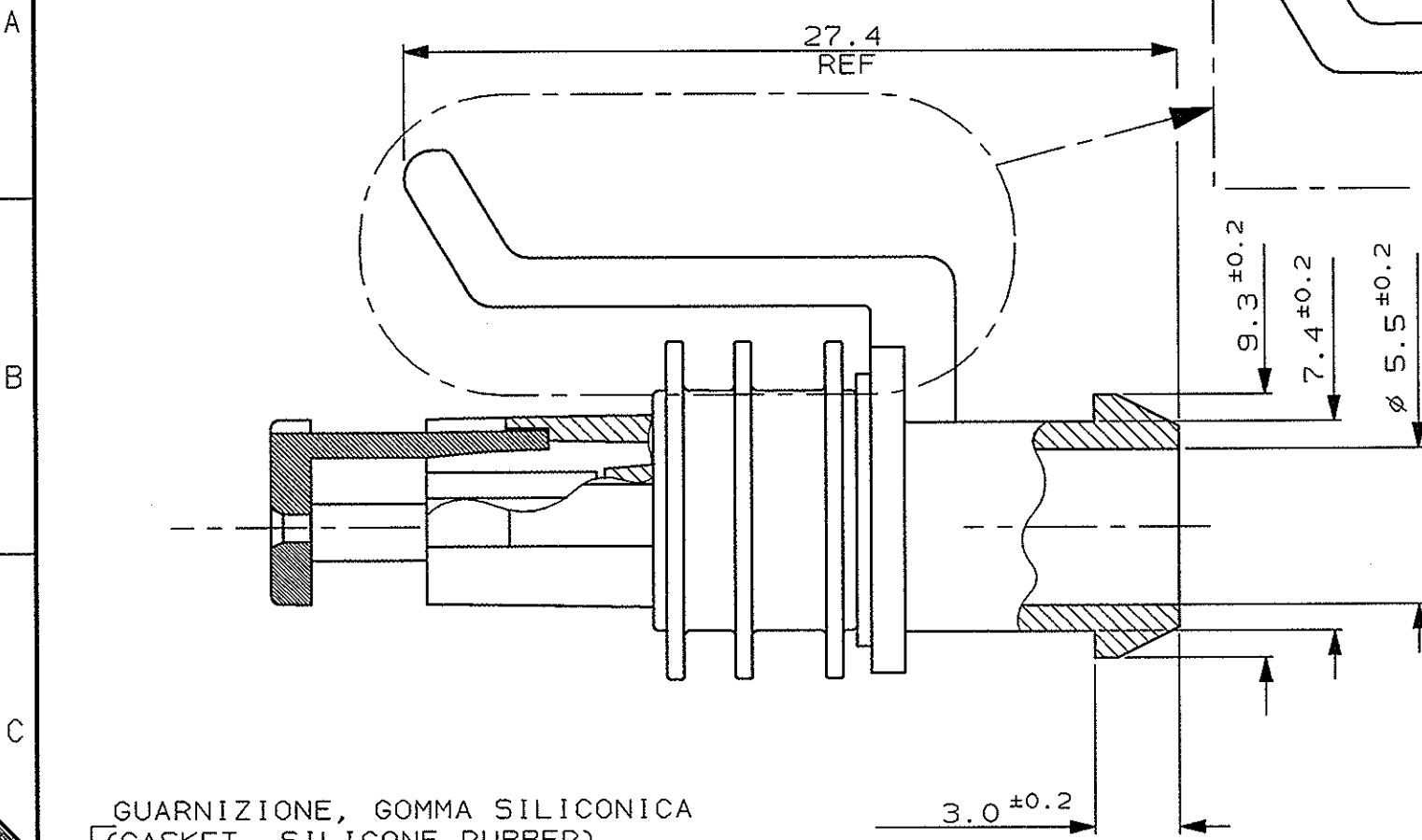


SCALA NON IMPEGNATIVA
(DO NOT SCALE)
DIMENSIONI IN mm
(DIMENSIONS IN)

METRIC

PROIEZIONE EUROPEA
(EUROPEAN PROJECTION)

ALTERNATIVE PROFILE



1) PER RAPPRESENTAZIONE DIMA CONTROPARTE
VEDERE FOGLIO 2 DI 2.
(FOR COUNTERPART DETAIL SEE SHEET 2 OF 2)

AGGANCIAMENTO SECONDARIO, COLORE BIANCO, PRE-ASSEMBLATO
(SECONDARY LOCK, WHITE COLOUR, IN PRE-ASSEMBLED POSITION)

PA 6.6 - GF20%		ACC. TO IEC 60335-1		A		1745096-1	
BIANCO (WHITE)		MATERIALE (MATERIAL)		REV.		NUMERO (PART NUMBER)	
FINITURA / COLORE (FINISH / COLOUR)		MATERIALE (MATERIAL)		REV.		NUMERO (PART NUMBER)	
CUSTOMER DWG. FOR REFERENCE ONLY				DISEGNO PER CLIENTE SOLO PER RIFERIMENTO			
THIS DRAWING IS UNPUBLISHED				RELEASE FOR PUBLICATION 19			
© COPYRIGHT 19 BY AMP INCORPORATED, HARRISBURG, PA. ALL INTERNATIONAL RIGHT RESERVED. AMP PRODUCTS MAY BE COVERED BY U.S. AND FOREIGN PATENT AND/OR PATENT PENDING							
TOLLERANZE: SE NON DIVERSAMENTE SPECIFICATO (TOLERANCES, UNLESS OTHERWISE SPECIFIED)				DIAM. ISOLANTE (INS. DIA. RANGE)		RANGO FILO (WIRE RANGE)	
± 0.3				-		-	
ANGOLI (ANGLES)				± 2°		-	
DIS. (DR.)				26-6-06		DESCRIZIONE (DESCRIPTION)	
M. PALMA				26-6-06		2 POS. PLUG ASS'Y	
A1 RELEASED FOR PRODUCTION (ECR-06-028933)				M.G. 06		AMP SUPERSEAL 1.5 SERIES CONNECTORS	
A FIRST ISSUE				M.P. 06		LOC. SIZE NUMERO (DWG NO)	
REV. (REV. DATE)				DIS. DATA (DR. DATE)		REV. FOGLIO (SHEET)	
REVISIONI (REVISION RECORD)				APP. (APP.)		A1 1	
A. GENTA				26-6-06		C-1745096	
				I A3		D1 2	

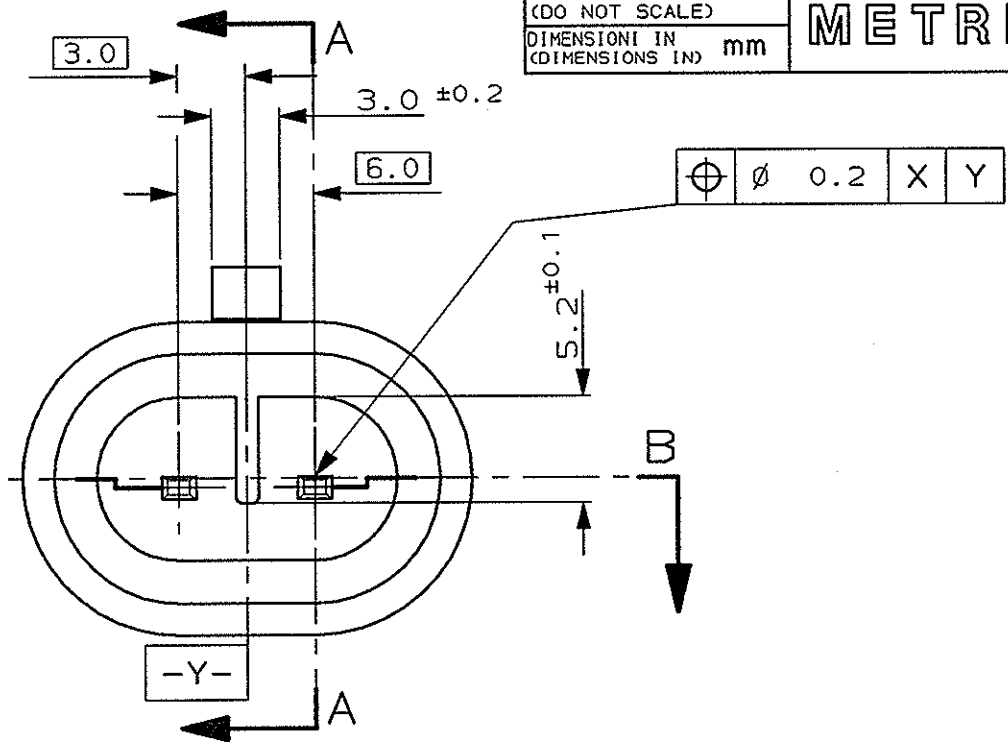
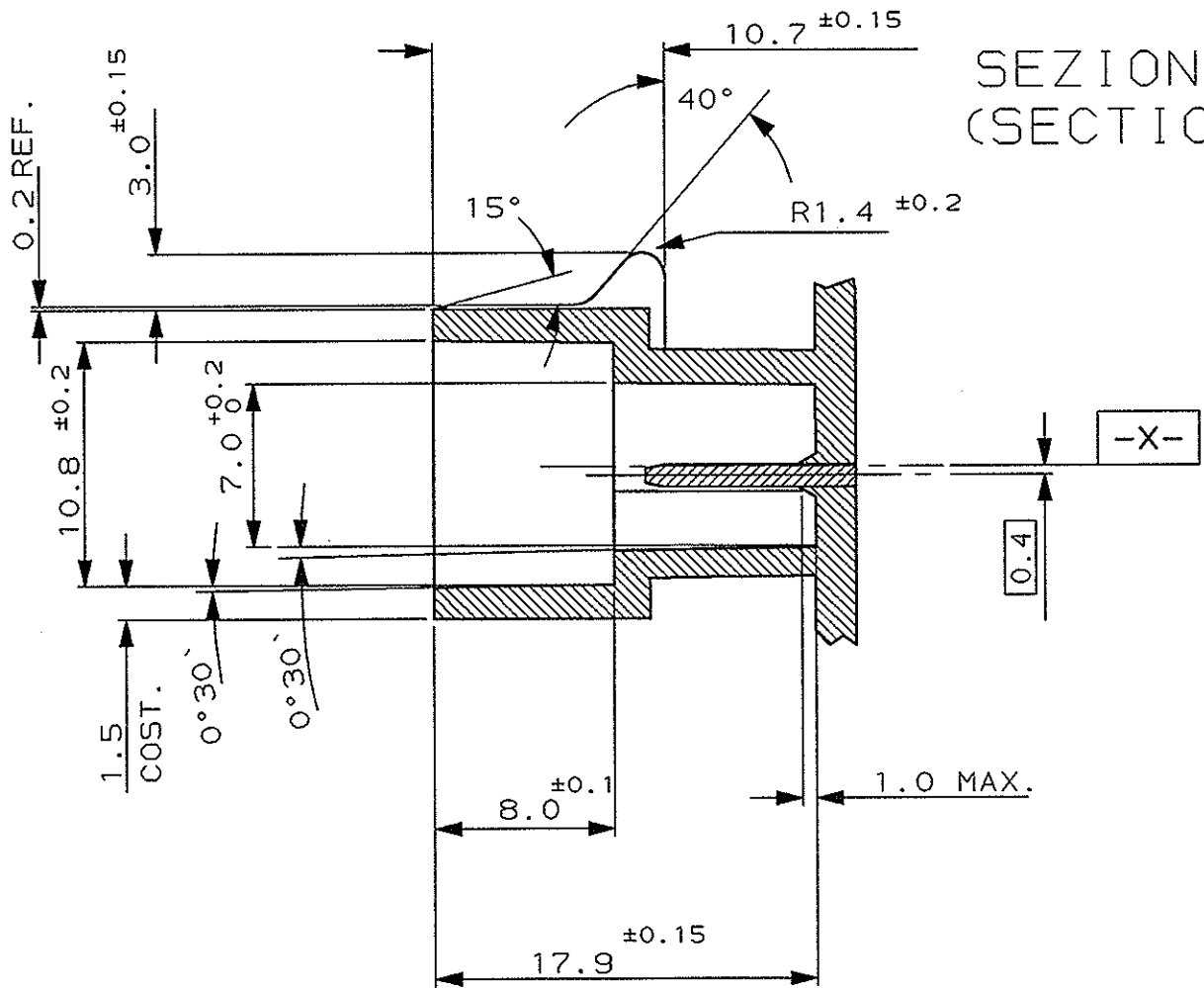
DISTRIBUZIONE (PRINT DIST.)

SCALA NON IMPEGNATIVA
(DO NOT SCALE)
DIMENSIONI IN
(DIMENSIONS IN) mm

METRIC

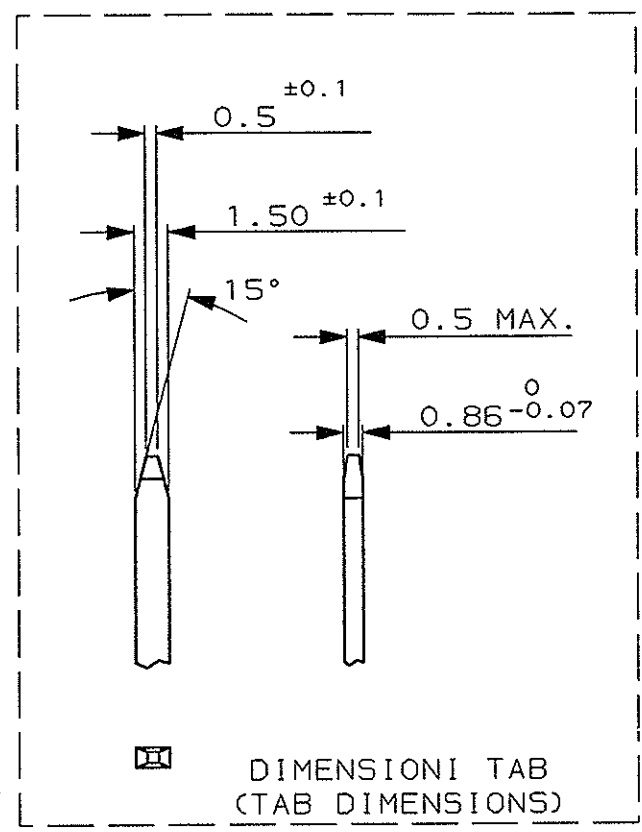
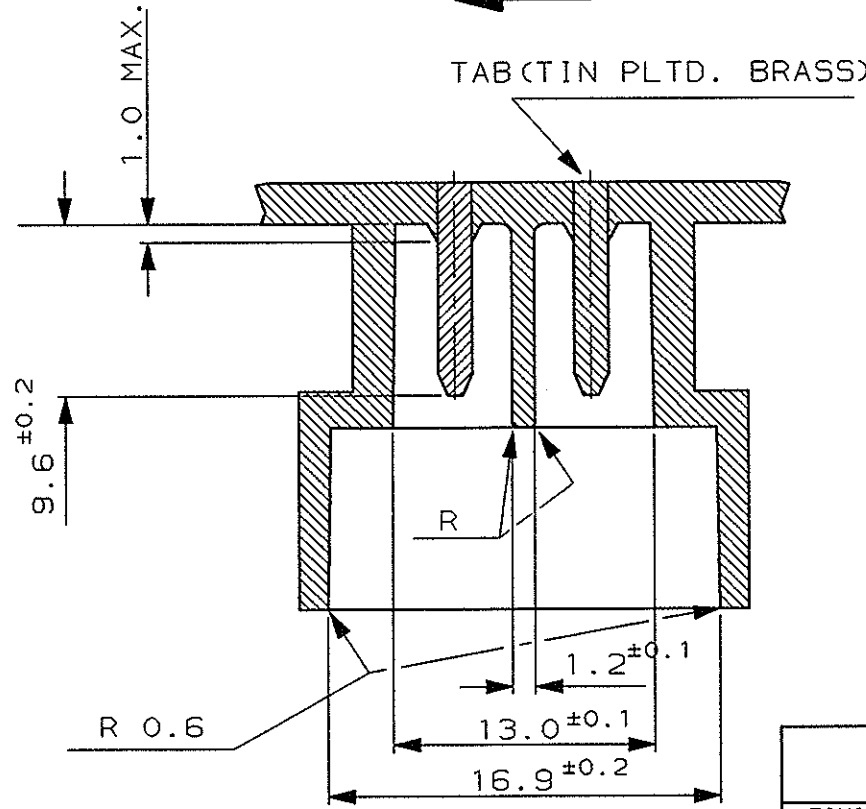
PROIEZIONE EUROPEA
(EUROPEAN PROJECTION)

SEZIONE A-A
(SECTION A-A)



TAB (TIN PLTD. BRASS)

SEZIONE B-B
(SECTION B-B)



FINITURA / COLORE (FINISH / COLOUR)		MATERIALE (MATERIAL)		NUMERO (PART NUMBER)	
CUSTOMER DWG. FOR REFERENCE ONLY		DISEGNO PER CLIENTE SOLO PER RIFERIMENTO		19	
-THIS DRAWING IS UNPUBLISHED-		RELEASE FOR PUBLICATION		19	
© COPYRIGHT 19 BY AMP INCORPORATED, HARRISBURG, PA. ALL INTERNATIONAL RIGHT RESERVED. AMP PRODUCTS MAY BE COVERED BY U.S. AND FOREIGN PATENT AND/OR PATENT PENDING					
TOLLERANZE: SE NON DIVERSAMENTE SPECIFICATO (TOLERANCES: UNLESS OTHERWISE SPECIFIED)		DIAM. ISOLANTE (INS. DIA. RANGE)		RANGO FILO (WIRE RANGE)	
± 0.3		-		-	
ANGOLI (ANGLES)		-		-	
± 2°		-		-	
DIS. (DR.)		DESCRIZIONE (DESCRIPTION)		2 POS. PLUG ASS'Y	
-		-		AMP SUPERSEAL 1.5 SERIES CONNECTORS	
VEDERE FOGLIO 1 DI 2 (SEE SHEET 1 OF 2)		CONT. (CHK)		APP. (APP.)	
-		-		-	
REV. (REV.)		DIS. DATA (DR.)		LOC. SIZE	
REVISIONI (REVISION RECORD)		DATA (DATE)		NUMERO (DWG NO)	
-		-		I A3 C-1745096	
-		-		REV. A1	
-		-		FOGLIO (SHEET)	
-		-		D1	
-		-		2 OF 2	

DISTRIBUZIONE
(PRINT DIST.)